

GMV5 DC INVERTER VRF UNITS

(GC201510)

ER CONDITIONERS GREE MAKING BETTER CONDITIONERS GREE MAKING BETTER CONDITIONERS GREE MAKING BETTER CONDITIONERS

TECHNICAL SALES GUIDE-50Hz&60Hz

CAPACITY RANGE: 22.4~246.0kW

SUPER HIGH AMBIENT OPERATION TO 52 °C

TER CONDITIONERS GREE MAKING BETTER CONDITIONERS GREE MAKING BETTER CONDITIONERS GREE MAKING BETTER CONDITIONERS



R410A



GREE ELECTRIC APPLIANCES INC.OF ZHUHAI

CONTENTS

1 UNIT CHARACTERISTICS	1
2 UNIT PARAMETERS	5
3 ELECTRICAL SPECIFICATIONS.....	13
4 COMBINATION MODE.....	15
5 INTERNAL PIPING DESIGN OF THE UNITS	17
6 UNIT CAPACITY CORRECTION	20
7 UNIT NOISE CURVES	99
8 UNIT GRAVITY CENTER DIAGRAMS	101
9 UNIT INSTALLATION SPACE REQUIREMENTS	103
10 MODEL SELECTION FOR UNIT PIPING.....	110
11 REQUIREMENTS FOR COMMUNICATION MODE	122
12 ELECTRICAL CONNECTION.....	127
13 CALCULATION METHOD OF REFRIGERANT ADDED FOR ENGINEERING PIPING	129
14 OPTIONAL COMPONENTS.....	130
15 UNIT OPERATING RANGE	131

1 UNIT CHARACTERISTICS

GMV5 series DC inverter VRF units: The basic models of the whole series are 8HP, 10HP, 12HP, 14HP, and 16HP , 18HP , 20HP and 22HP , and the combination model is 24HP-88HP.



➤ Energy efficient

The products benefit from the advanced DC inverter technology, optimized air conditioner system design, and accurate intelligent control technology.

➤ High efficient DC inverter compressor

The DC inverter compressor is adopted for Gree DC inverter VRF units. The compressor is designed in the high pressure chamber with excellent performance to suck directly, reduce the suction superheat loss and increase the compression efficiency by 3% in comparison to the low pressure chamber compression. The motor part adopts a high efficient permanent magnet synchronous motor, the rotor is a permanent magnet, and the stator implements concentrated winding. Therefore, the efficiency far surpasses that of a common DC inverter compressor.

- **Sensorless DC inverter fan motor**
The DC convertor motor with a high back electromotive force is adopted to implement stepless speed regulation in the range of 5 Hz to 75 Hz. In contrast to the common DC convertor motor, both the operating current and motor input power are lower, but the efficiency is greatly improved.
- **Advanced torque control technology**
The technology of minimum current and maximum torque control is adopted.
The rotor reluctance torque of DC inverter compressor is effectively used to export the maximum torque at the cost of minimum current, thus reducing the motor winding loss and achieving higher energy efficiency.
The low frequency torque control is implemented.
The motor torque is directly controlled to realize operation of the DC inverter at an ultralow speed. The small torque pulsation not only meets system requirements, but also guarantees the higher degree of comfort.

➤ **Comfortable mute**

Gree GMV5 air conditioning units fully consider the comfort requirement of people, and the humanized technology further perfects the degree of comfort. The wider operation range of the units ensures normal operation in sub-zero weather or hot weather. The better mute effect creates a quiet environment for work and life.

- **Outdoor unit mute mode**
 - ◆ **Night mute**
The system can memorize and judge the outdoor maximum temperature. When the system operates with a low load at night, it can automatically enter the mute mode. Nine mute modes can be set for the units according to requirements of actual application scenarios.
For example, the unit can automatically enter the night operation mode after operation for 8h, and will restore the normal operation mode in 9h.
 - ◆ **Forced mute**
When the unit is installed at a place with the requirement for a lower noise level, it should operate in the mute mode in the daytime and at night. In this case, three forced mute setting modes can be selected to ensure that the unit operates at the low noise mode all the time. The minimum noise value can be 45dB (A).
- **Indoor unit mute mode**
The indoor unit also adopts the DC inverter motor to implement stepless speed regulation and greatly reduce the noise level. Moreover, the wired controller can be used to set the automatic mute mode of indoor unit and enable the automatic mute function according to the indoor temperature and movements of persons. The minimum noise value can be 25dB (A).

➤ **Advanced technology to ensure stability and reliability**

Gree GMV5 air conditioning units have earned a reputation in the field due to the high technical content. Thanks to research and experiments for more than one decade, all the technologies of GMV have become more matured. Gree GMV5 has been upgraded in an all-round way, including electric elements, machine elements, control technology and communication technology. Continuous revolution in technologies must bring more reliable and efficient service to users.

- **Two-stage oil separation technology**
For the patented two-stage oil separation technology (patent No. 201120003910.7), every basic module is provided with stage-1 and stage-2 oil separators. Stage-1 oil separator uses a filter expansion valve, and the separation efficiency reaches 98%. Stage-2 oil separator further separates 2% of refrigeration oil left, and the separation efficiency reaches 95%. The total oil separation efficiency reaches 99.9%.
- **Oil return control technologies**
Gree owns two major unique oil return control technologies.

- ◆ Oil return control of new generation

Gree oil return control technology of new generation integrates the pressure control oil return technology. Pressure control effectively controls oil return of the system and the oil storage status of each compressor, thus substantially increasing the service life of the compressor.

- ◆ Proprietary compressor oil storage technology

Gree DC inverter unit is designed with the proprietary compressor oil storage technology. The relevant parameter is judged to control the lowest oil level required for operating the compressor.

- Refrigerant storage and distribution technology

Gree GMV5 adopts the system loop without any reservoir to greatly reduce the refrigerant filling quantity, improve the refrigerant control precision of the system, and store the surplus refrigerant in the pipeline.

- Oil balance control technology

- ◆ Inter-module oil balance technology (patent No. 200910041723.5)

The defect of traditional scheduled oil return is eliminated. Oil can be balanced without stopping the system. The technology can judge the operating status of each module and each compressor, calculate the oil reserve of the compressor, adjust the operating status of the compressor, and implement inter-module oil balance. It can ensure reliability and comfortability of the air conditioning system without affecting the capacity output of the system.

- ◆ Inter-compressor oil balance technology

Refrigerant is sucked into the compression chamber of the compressor through the air suction pipe, discharged to the fully-closed compressor cavity after being compressed, and then flows through the refrigerating system via the vent pipe. According to the principle of moving fluid mechanics and the oil quantity actually required during operation of the compressor, the technology decides the height of the oil balance pipe, controls the oil level in the oil pool, ensures the minimum oil quantity required by each compressor during operation, and implements oil balance between compressors.

- Super-cooling control technology is used for refrigeration to substantially reduce the cooling capacity attenuation.

The efficient heat exchange loop is used to implement heat exchanger and super-cooling control. The degree of super-cooling reaches 11°C.

The recooling loop is used to reach a temperature of 9°C and ensure the refrigerating and heating effects.

- Unique comfortability control

The outdoor unit is regulated using dual electronic expansion valves within the regulation range of 960 stages to accurately realize the flow control between the indoor unit module and outdoor unit module, so the system operates more stably.

- Heating can quickly start within 210s, and 100% heat output is provided at the first time.

➤ Humanized engineering operation

- The unit is characterized by automatic address allocation and non-polarity communication.

- The unit can perform automatic debugging and fault detection.

GMV5 has five automatic debugging functions.

- ◆ Automatically allocating indoor and outdoor unit addresses
- ◆ Automatically checking the quantities of indoor and outdoor units
- ◆ Automatically detecting internal faults of units
- ◆ Automatically starting debugging
- ◆ Judging pipeline exceptions in real time

- The units provide three emergency functions: module, compressor and fan.

- The units can recover refrigerants in two modes.

Intelligent management

- The units are designed in the dual-energy saving operation modes. Along with penetration of energy conservation and emission reduction and increasingly strict requirements for power utilization in cities raised by the state, a lot of cities will issue corresponding power rationing measures in the peak of power consumption, especially in summer. Gree GMV5 air conditioning units provides two energy saving modes for users to select as needed and meets the requirements for off-peak power consumption and power brownout in cities.
 - ◆ Energy saving mode 1: When the unit is set to the automatic energy saving mode during operation, the system automatically adjusts and controls the target parameter according to the operating status, and greatly reduces power consumption of the whole system. The maximum energy saving ratio is 15%.
 - ◆ Energy saving mode 2: When the unit is set to the forced energy saving mode during operation, the system forcedly limits power output of the system. The maximum energy saving ratio is 20%.
- The unit is provided with the energy consumption analysis function and corresponding solution.
- The unit supports the emergency shutdown function. Without remote monitoring, the outdoor unit can directly intervene in the fire alarm linkage signal, and the whole system can stop immediately in case of an emergency to avoid more risk losses.
- The unit has the management function by area.

Ultra-long piping distance design, with the maximum piping length of 1000m

In comparison to the traditional water chilling unit, the VRF unit shows the strength of simple and convenient engineering piping. Gree GMV5 inverter VRF unit more significantly displays the strength of actual engineering piping, and the air conditioning system can be flexibly applied to various buildings more simply and freely, reducing the engineering installation cost for users.

A single refrigerating system, able to connect to a maximum of 80 indoor units

For most VRF units in the market, the single system can connect to a maximum of 64 units. Gree GMV5 can implement combination of module units and connect to a maximum of 80 indoor units (the quantity of connected units ranks first in the field). It is more applicable to large-sized commercial office buildings or aparthotels.

Wide operation range

Operating temperature range: -5°C to 52°C for cooling; -20°C to 24°C for heating.
Operating range of power supply: 3N, 320 V to 460 V, 50 Hz.

Module switching control

The module status automatically switches between modules every eight hours according to the operating status. This avoids long-term “waiting for work” of several modules and greatly improves reliability of the whole system.

High static pressure design of the outdoor unit to realize more flexible selection

The unit is provided with four levels of static pressures (0 Pa, 30 Pa, 50 Pa, and 82 Pa) for regulation. The corresponding static pressure can be selected for the outdoor unit according to the building form, and the maximum static pressure is 82 Pa. The unit especially applies to the scenario where the outdoor unit needs to be placed indoors.

2 UNIT PARAMETERS

2.1 Outdoor Unit

Model	-	GMV-224WM/B-X	GMV-280WM/B-X	GMV-335WM/B-X	GMV-400WM/B-X	GMV-450WM/B-X
Cooling capacity	kW	22.40	28.00	33.50	40.00	45.00
Heating capacity	kW	25.00	31.50	37.50	45.00	50.00
Air volume	m ³ /h	11400	11400	14000	14000	14000
Maximum external static pressure of unit	Pa	82	82	82	82	82
Noise (sound pressure level)	dB(A)	60	61	63	63	63
Power supply	-	380~415V 3N~50/60Hz	380~415V 3N~50/60Hz	380~415V 3N~50/60Hz	380~415V 3N~50/60Hz	380~415V 3N~50/60Hz
Cooling power input	kW	5.20	7.00	8.41	10.65	12.65
Heating power input	kW	5.50	7.30	9.00	11.10	13.00
Cooling current input	A	9.30	12.50	15.00	19.00	22.6
Heating current input	A	9.80	13.00	16.10	19.80	23.20
Maximum power input	kW	8.80	11.70	13.80	16.10	18.60
Maximum current	A	15.7	20.9	24.7	28.8	33.2
Compressor type	-	Inverter scroll type	Inverter scroll type	Inverter scroll type	Inverter scroll type	Inverter scroll type
Number of compressors	N	1	1	1	2	2
Compressor refrigeration oil brand	-	FVC68D or FV-68H	FVC68D or FV-68H	FVC68D or FV-68H	FVC68D or FV-68H	FVC68D or FV-68H
oil charge*	Totally	L	4.0	4.0	4.5	5.5
	Compressor	L	1.0	1.0	1.0	1.0×2
	Else	L	3.0	3.0	3.5	3.5
Ambient temperature range of cooling	°C	-5~52	-5~52	-5~52	-5~52	-5~52
Ambient temperature range of heating	°C	-20~24	-20~24	-20~24	-20~24	-20~24
Refrigerant type	-	R410A	R410A	R410A	R410A	R410A
Refrigerant fcharge volume	kg	5.9	6.7	8.2	9.80	10.30
Maximum qty of connected indoor units	unit	13	16	19	23	26
Gas pipe size	mm	Φ19.05	Φ22.2	Φ25.4	Φ25.40	Φ28.60
Liquid pipe size	mm	Φ9.52	Φ9.52	Φ12.7	Φ12.7	Φ12.7
Oil balance pipe size	mm	Φ9.52	Φ9.52	Φ9.52	Φ9.52	Φ9.52
External dimension (width)	mm	930	930	1340	1340	1340
External dimension (depth)	mm	765	765	765	765	765
External dimension (height)	mm	1605	1605	1605	1605	1605
Packaging dimension (width)	mm	1010	1010	1420	1420	1420
Packaging dimension (depth)	mm	840	840	840	840	840
Packaging dimension (height)	mm	1775	1775	1775	1775	1775
Net weight	kg	225	225	285	360	360
Gross weight	kg	235	235	300	375	375

*: Total oil quantity of outdoor unit, oil storing quantity of compressor and oil storing quantity of oil balancer are listed. When replacing compressor or oil balancer, only need to charge the corresponding additional oil quantity.

Model	-	GMV-504WM/B-X	GMV-560WM/B-X	GMV-615WM/B-X	GMV-680WM/B-X	GMV-730WM/B-X
Module combination	-	-	-	-	GMV-280WM/ B-X+GMV- 400WM/B-X	GMV-280WM/ B-X+GMV- 450WM/B-X
Cooling capacity	kW	50.4	56	61.5	68	73
Heating capacity	kW	56.5	63	69	76.5	81.5
Air volume	m ³ /h	16000	16000	16000	11400+14000	11400+14000
Maximum external static pressure of unit	Pa	82	82	82	82	82
Noise (sound pressure level)	dB(A)	63	63	64	65	65
Power supply	-	380~415V 3N~50/60Hz	380~415V 3N~50/60Hz	380~415V 3N~50/60Hz	380~415V 3N~50/60Hz	380~415V 3N~50/60Hz
Cooling power input	kW	14.20	16.00	18.5	17.65	19.65
Heating power input	kW	14.10	16.60	18.9	18.40	20.30
Refrigerating current input	A	25.4	28.6	33.1	12.5+19.0	12.5+22.6
Heating current input	A	25.2	29.7	33.8	13.0+19.8	13.0+23.2
Maximum power input	kW	25.0	28.0	29.0	27.80	30.30
Maximum current	A	44.7	50	52	49.7	54.1
Ambient temperature range of cooling	°C	-5~52	-5~52	-5~52	-5~52	-5~52
Ambient temperature range of heating	°C	-20~24	-20~24	-20~24	-20~24	-20~24
Refrigerant type	-	R410A	R410A	R410A	R410A	R410A
Refrigerant charge volume	kg	11.3	14.3	14.3	6.7+9.8	6.7+10.3
Maximum qty of connected indoor units	unit	29	32	35	39	43
Gas pipe size	mm	Φ28.6	Φ28.6	Φ28.6	Φ28.6	Φ31.8
Liquid pipe size	mm	Φ15.9	Φ15.9	Φ15.9	Φ15.9	Φ19.05
Oil balance pipe size	mm	Φ9.52	Φ9.52	Φ9.52	Φ9.52	Φ9.52

GMV5 DC Inverter VRF Units Technical Sales Guide

Model	-	GMV-785WM/B-X	GMV-850WM/B-X	GMV-900WM/B-X	GMV-960WM/B-X	GMV-1010WM/B-X
Module combination	-	GMV-280WM/B-X+GMV-504WM/B-X	GMV-280WM/B-X+GMV-560WM/B-X	GMV-280WM/B-X+GMV-615WM/B-X	GMV-335WM/B-X+GMV-615WM/B-X	GMV-400WM/B-X+GMV-615WM/B-X
Cooling capacity	kW	78.4	84	89.5	95	101.5
Heating capacity	kW	88.0	94.5	100.5	106.5	114
Air volume	m ³ /h	27400	27400	27400	30000	30000
Maximum external static pressure of unit	Pa	82	82	82	82	82
Noise (sound pressure level)	dB(A)	66	67	67	68	68
Power supply	-	380~415V 3N~50/60Hz	380~415V 3N~50/60Hz	380~415V 3N~50/60Hz	380~415V 3N~50/60Hz	380~415V 3N~50/60Hz
Cooling power input	kW	21.2	23.0	25.50	26.91	29.15
Heating power input	kW	21.4	23.9	26.20	27.90	30.0
Refrigerating current input	A	37.9	41.1	45.6	48.1	52.1
Heating current input	A	38.2	42.7	46.8	49.9	53.6
Maximum power input	kW	36.7	39.70	40.7	42.8	45.10
Maximum current	A	65.6	71	72.7	76.5	80.6
Ambient temperature range of cooling	°C	-5~52	-5~52	-5~52	-5~52	-5~52
Ambient temperature range of heating	°C	-20~24	-20~24	-20~24	-20~24	-20~24
Refrigerant type	-	R410A	R410A	R410A	R410A	R410A
Refrigerant charge volume	kg	18	21	21	22.5	24.1
Maximum qty of connected indoor units	unit	46	50	53	56	59
Gas pipe size	mm	Φ31.8	Φ31.8	Φ31.8	Φ31.8	Φ38.1
Liquid pipe size	mm	Φ19.05	Φ19.05	Φ19.05	Φ19.05	Φ19.05
Oil balance pipe size	mm	Φ9.52	Φ9.52	Φ9.52	Φ9.52	Φ9.52

Model	-	GMV-1065WM/ B-X	GMV-1130WM/ B-X	GMV-1180WM/ B-X	GMV-1235WM/ B-X	GMV-1300WM/ B-X
Module combination	-	GMV-450WM/ B-X+GMV- 615WM/B-X	GMV-504WM/ B-X+GMV- 615WM/B-X	GMV-560WM/ B-X+GMV- 615WM/B-X	GMV-615WM/ B-X+GMV- 615WM/B-X	GMV-280WM/ B-X+GMV- 450WM/ B-X+GMV- 560WM/B-X
Cooling capacity	kW	106.5	111.9	117.5	123.0	129
Heating capacity	kW	119	125.5	132	138	144.5
Air volume	m ³ /h	30000	32000	32000	32000	41400
Maximum external static pressure of unit	Pa	82	82	82	82	82
Noise (sound pressure level)	dB(A)	68	68	69	69	69
Power supply	-	380~415V 3N~50/60Hz	380~415V 3N~50/60Hz	380~415V 3N~50/60Hz	380~415V 3N~50/60Hz	380~415V 3N~50/60Hz
Cooling power input	kW	31.15	32.7	34.5	37	36.65
Heating power input	kW	31.90	33.0	35.5	37.8	36.90
Refrigerating current input	A	55.7	58.5	61.7	66.2	63.7
Heating current input	A	57	59	63.5	67.6	65.9
Maximum power input	kW	47.6	54	57	58	58.3
Maximum current	A	85	96.5	101.9	103.6	104.2
Ambient temperature range of cooling	°C	-5~52	-5~52	-5~52	-5~52	-5~52
Ambient temperature range of heating	°C	-20~24	-20~24	-20~24	-20~24	-20~24
Refrigerant type	-	R410A	R410A	R410A	R410A	R410A
Refrigerant charge volume	kg	24.6	25.6	28.6	28.6	31.3
Maximum qty of connected indoor units	unit	63	64	64	64	64
Gas pipe size	mm	Φ38.1	Φ38.1	Φ38.1	Φ38.1	Φ38.1
Liquid pipe size	mm	Φ19.05	Φ19.05	Φ19.05	Φ19.05	Φ19.05
Oil balance pipe size	mm	Φ9.52	Φ9.52	Φ9.52	Φ9.52	Φ9.52

GMV5 DC Inverter VRF Units Technical Sales Guide

Model	-	GMV-1350WM/ B-X	GMV-1410WM/ B-X	GMV-1460WM/ B-X	GMV-1515WM/ B-X	GMV-1580WM/ B-X
Module combination	-	GMV-280WM/ B-X+GMV- 450WM/ B-X+GMV- 615WM/B-X	GMV-335WM/ B-X+GMV- 450WM/ B-X+GMV- 615WM/B-X	GMV-280WM/ B-X+MV-560WM/ B-X+GMV- 615WM/B-X	GMV-280WM/ B-X+GMV- 615WM/ B-X+GMV- 615WM/B-X	GMV-335WM/ B-X+GMV- 615WM/ B-X+GMV- 615WM/B-X
Cooling capacity	kW	134.5	140	145.5	151.0	156.5
Heating capacity	kW	150.5	156.5	163.5	169.5	175.5
Air volume	m ³ /h	41400	44000	43400	43400	46000
Maximum external static pressure of unit	Pa	82	82	82	82	82
Noise (sound pressure level)	dB(A)	69	69	69	70	70
Power supply	-	380~415V 3N~50Hz	380~415V 3N~50/60Hz	380~415V 3N~50/60Hz	380~415V 3N~50/60Hz	380~415V 3N~50/60Hz
Cooling power input	kW	38.15	39.56	41.5	44.0	45.41
Heating power input	kW	39.20	40.90	42.8	45.1	46.80
Refrigerating current input	A	68.2	70.7	74.2	78.7	81.2
Heating current input	A	70	73.1	76.5	80.6	83.7
Maximum power input	kW	59.3	61.4	68.7	69.7	71.8
Maximum current	A	105.9	109.7	122.8	124.5	128.3
Ambient temperature range of cooling	°C	-5~52	-5~52	-5~52	-5~52	-5~52
Ambient temperature range of heating	°C	-20~24	-20~24	-20~24	-20~24	-20~24
Refrigerant type	-	R410A	R410A	R410A	R410A	R410A
Refrigerant charge volume	kg	61.5	32.8	35.3	35.3	36.8
Maximum qty of connected indoor units	unit	64	66	69	71	74
Gas pipe size	mm	Φ38.1	Φ41.3	Φ41.3	Φ41.3	Φ41.3
Liquid pipe size	mm	Φ19.05	Φ19.05	Φ19.05	Φ19.05	Φ19.05
Oil balance pipe size	mm	Φ9.52	Φ9.52	Φ9.52	Φ9.52	Φ9.52

Model	-	GMV-1630WM/ B-X	GMV-1685WM/ B-X	GMV-1750WM/ B-X	GMV-1800WM/ B-X	GMV-1845WM/ B-X
Module combination	-	GMV-400WM/ B-X+GMV- 615WM/ B-X+GMV- 615WM/B-X	GMV-450WM/ B-X+GMV- 615WM/ B-X+GMV- 615WM/B-X	GMV-504WM/ B-X+GMV- 615WM/ B-X+GMV- 615WM/B-X	GMV-560WM/ B-X+GMV- 615WM/ B-X+GMV- 615WM/B-X	GMV-615WM/ B-X+GMV- 615WM/B-X+ GMV-615WM/B-X
Cooling capacity	kW	163	168.0	173.4	179	184.5
Heating capacity	kW	183	188	194.5	201	207
Air volume	m ³ /h	46000	46000	48000	48000	48000
Maximum external static pressure of unit	Pa	82	82	82	82	82
Noise (sound pressure level)	dB(A)	70	70	70	71	71
Power supply	-	380~415V 3N~50/60Hz	380~415V 3N~50/60Hz	380~415V 3N~50/60Hz	380~415V 3N~50/60Hz	380~415V 3N~50/60Hz
Cooling power input	kW	47.65	49.65	51.2	53.0	55.5
Heating power input	kW	48.90	50.80	51.9	54.4	56.7
Refrigerating current input	A	85.2	88.8	91.6	94.8	99.3
Heating current input	A	87.4	90.8	92.8	97.3	101.4
Maximum power input	kW	74.10	76.60	83.0	86.0	87
Maximum current	A	132.4	136.8	148.3	153.7	155.4
Ambient temperature range of cooling	°C	-5~52	-5~52	-5~52	-5~52	-5~52
Ambient temperature range of heating	°C	-20~24	-20~24	-20~24	-20~24	-20~24
Refrigerant type	-	R410A	R410A	R410A	R410A	R410A
Refrigerant charge volume	kg	38.4	38.9	39.9	42.9	42.9
Maximum qty of connected indoor units	unit	77	80	80	80	80
Gas pipe size	mm	Φ41.3	Φ41.3	Φ41.3	Φ41.3	Φ41.3
Liquid pipe size	mm	Φ19.05	Φ19.05	Φ19.05	Φ19.05	Φ19.05
Oil balance pipe size	mm	Φ9.52	Φ9.52	Φ9.52	Φ9.52	Φ9.52

GMV5 DC Inverter VRF Units Technical Sales Guide

Model	-	GMV-1908WM/ B-X	GMV-1962WM/ B-X	GMV-2016WM/ B-X	GMV-2072WM/ B-X	GMV-2128WM/ B-X
Module combination	-	GMV-280WM/ B-X+GMV- 450WM/B-X+ GMV-560WM/ B-X+ GMV- 615WM/B-X	GMV-280WM/ B-X+GMV- 504WM/B-X+ GMV-560WM/ B-X+ GMV- 615WM/B-X	GMV-280WM/ B-X+GMV- 560WM/B-X+ GMV-560WM/ B-X+ GMV- 615WM/B-X	GMV-280WM/ B-X+GMV- 560WM/B-X+ GMV-615WM/ B-X+ GMV- 615WM/B-X	GMV-280WM/ B-X+GMV- 615WM/B-X+ GMV-615WM/ B-X+ GMV- 615WM/B-X
Cooling capacity	kW	190.5	195.9	201.5	207	212.5
Heating capacity	kW	213.5	220	226.5	232.5	238.5
Air volume	m ³ /h	57400	59400	59400	59400	59400
Maximum external static pressure of unit	Pa	82	82	82	82	82
Noise (sound pressure level)	dB(A)	72	73	73	73	73
Power supply	-	380~415V 3N~50/60Hz	380~415V 3N~50/60Hz	380~415V 3N~50/60Hz	380~415V 3N~50/60Hz	380~415V 3N~50/60Hz
Cooling power input	kW	54.15	55.7	57.5	60.0	62.5
Heating power input	kW	55.80	56.9	59.4	61.7	64.0
Refrigerating current input	A	96.8	99.6	102.8	107.3	111.8
Heating current input	A	99.7	101.7	106.2	110.3	114.4
Maximum power input	kW	87.3	93.7	96.7	97.7	98.7
Maximum current	A	156	167.5	172.9	174.6	176.3
Ambient temperature range of cooling	°C	-5~52	-5~52	-5~52	-5~52	-5~52
Ambient temperature range of heating	°C	-20~24	-20~24	-20~24	-20~24	-20~24
Refrigerant type	-	R410A	R410A	R410A	R410A	R410A
Refrigerant charge volume	kg	45.6	46.6	49.6	49.6	49.6
Maximum qty of connected indoor units	unit	80	80	80	80	80
Gas pipe size	mm	Φ44.5	Φ44.5	Φ44.5	Φ44.5	Φ44.5
Liquid pipe size	mm	Φ22.2	Φ22.2	Φ22.2	Φ22.2	Φ22.2
Oil balance pipe size	mm	Φ9.52	Φ9.52	Φ9.52	Φ9.52	Φ9.52

Model	-	GMV-2184WM/B-X	GMV-2240WM/B-X	GMV-2295WM/B-X	GMV-2350WM/B-X	GMV-2405WM/B-X	GMV-2460WM/B-X
Module combination	-	GMV-335WM/B-X+GMV-615WM/B-X+GMV-615WM/B-X	GMV-400WM/B-X+GMV-615WM/B-X+GMV-615WM/B-X	GMV-450WM/B-X+GMV-615WM/B-X+GMV-615WM/B-X	GMV-504WM/B-X+GMV-615WM/B-X+GMV-615WM/B-X	GMV-560WM/B-X+GMV-615WM/B-X+GMV-615WM/B-X	GMV-615WM/B-X+GMV-615WM/B-X+GMV-615WM/B-X
Cooling capacity	kW	218.0	224.5	229.5	234.9	240.5	246.0
Heating capacity	kW	244.5	252.0	257.0	263.5	270.0	276.0
Air volume	m ³ /h	62000	62000	62000	64000	64000	64000
Maximum external static pressure of unit	Pa	82	82	82	82	82	82
Noise (sound pressure level)	dB(A)	74	74	74	75	75	75
Power supply	-	380~415V 3N~50/60Hz	380~415V 3N~50/60Hz	380~415V 3N~50/60Hz	380~415V 3N~50/60Hz	380~415V 3N~50/60Hz	380~415V 3N~50/60Hz
Cooling power input	kW	63.91	66.15	68.15	69.7	71.5	74.0
Heating power input	kW	65.7	67.8	69.70	70.8	73.3	75.6
Refrigerating current input	A	114.3	118.3	121.9	124.7	127.9	132.4
Heating current input	A	117.5	121.2	124.6	126.6	131.1	135.2
Maximum power input	kW	100.8	103.1	105.6	112.0	115.0	116.0
Maximum current	A	180.1	184.2	188.6	200.1	205.5	207.2
Ambient temperature range of cooling	°C	-5~52	-5~52	-5~52	-5~52	-5~52	-5~52
Ambient temperature range of heating	°C	-20~24	-20~24	-20~24	-20~24	-20~24	-20~24
Refrigerant type	-	R410A	R410A	R410A	R410A	R410A	R410A
Refrigerant charge volume	kg	51.1	52.7	53.2	54.2	57.2	57.2
Maximum qty of connected indoor units	unit	80	80	80	80	80	80
Gas pipe size	mm	Φ44.5	Φ44.5	Φ44.5	Φ44.5	Φ44.5	Φ44.5
Liquid pipe size	mm	Φ22.2	Φ22.2	Φ22.2	Φ22.2	Φ22.2	Φ22.2
Oil balance pipe size	mm	Φ9.52	Φ9.52	Φ9.52	Φ9.52	Φ9.52	Φ9.52

NOTES:

- Rated cooling capacity test conditions: indoor 27°C DB/19°C WB, outdoor 35°C DB; connection pipe length: 5m, without height drop between units.
- Rated heating capacity test conditions: indoor 20°C DB, outdoor 7°C DB/6 °C WB; connection pipe length: 5m, without height drop between units.
- The total capacity of connected indoor units must be in the range of 50%~135% of the outdoor unit capacity. The relevant parameters can be corrected by referring to the unit capacity correction table.
- The above parameters are tested based on the standard connection pipe length. In the actual project, the parameters should be corrected referring to the capacity correction for the long connection pipe of units.

3 ELECTRICAL SPECIFICATIONS

3.1 Circuit Breaker and Wire Diameter Selection of GMV5 Series Units

Type	Combination Mode	Power Supply Specifications	Total Capacity of Circuit Breaker (A)	Minimum Sectional Area (mm ²) of General Grounding Wire	Total Recommended Leads (Sectional Area (mm ²) × Pieces)	Circuit Breaker Capacity (A) of Each Combination Module	Minimum Sectional Area (mm ²) of Grounding Wire of Each Combination Module	Recommended Leads (Sectional Area (mm ²) × Pieces) for Each Combination Module
GMV-224WM/B-X	GMV-224WM/B-X	380~415V 3N~ 50/60Hz	20	2.5	2.5×5	20	2.5	2.5×5
GMV-280WM/B-X	GMV-280WM/B-X	380~415V 3N~ 50/60Hz	25	2.5	2.5×5	25	2.5	2.5×5
GMV-335WM/B-X	GMV-335WM/B-X	380~415V 3N~ 50/60Hz	32	4.0	4.0×5	32	4.0	4.0×5
GMV-400WM/B-X	GMV-400WM/B-X	380~415V 3N~ 50/60Hz	40	6.0	6.0×5	40	6.0	6.0×5
GMV-450WM/B-X	GMV-450WM/B-X	380~415V 3N~ 50/60Hz	40	6.0	6.0×5	40	6.0	6.0×5
GMV-504WM/B-X	GMV-504WM/B-X	380~415V 3N~ 50/60Hz	50	10.0	10.0×5	50	10.0	10.0×5
GMV-560WM/B-X	GMV-560WM/B-X	380~415V 3N~ 50/60Hz	63	10.0	10.0×5	63	10.0	10.0×5
GMV-615WM/B-X	GMV-615WM/B-X	380~415V 3N~ 50/60Hz	63	10.0	10.0×5	63	10.0	10.0×5
GMV-680WM/B-X	GMV-280WM/B-X + GMV-400WM/ B-X	380~415V 3N~ 50/60Hz	63	10.0	10.0×5	25 + 40	2.5 + 6.0	2.5×5 + 6.0×5
GMV-730WM/B-X	GMV-280WM/B-X + GMV-450WM/ B-X	380~415V 3N~ 50/60Hz	63	16.0	16.0×5	25 + 40	2.5 + 6.0	2.5×5 + 6.0×5
GMV-785WM/B-X	GMV-280WM/B + GMV-504WM/B	380~415V 3N~ 50/60Hz	80	16.0	16.0×5	25+ 50	2.5 +10.0	2.5×5 + 10.0×5
GMV-850WM/B-X	GMV-280WM/B + GMV-560WM/B	380~415V 3N~ 50/60Hz	80	16.0	16.0×5	25 + 63	2.5 +10.0	2.5×5 + 10.0×5
GMV-900WM/B-X	GMV-280WM/B + GMV-615WM/B	380~415V 3N~ 50/60Hz	100	16.0	16.0×5	25 + 63	2.5 +10.0	2.5×5 + 10.0×5
GMV-950WM/B-X	GMV-335WM/B + GMV-615WM/B	380~415V 3N~ 50/60Hz	100	16.0	16.0×5	32 + 63	4.0 +10.0	4.0×5 + 10.0×5
GMV-1010WM/B-X	GMV-400WM/B + GMV-615WM/B	380~415V 3N~ 50/60Hz	100	16.0	16.0×5	40 + 63	6.0 +10.0	6.0×5 + 10.0×5
GMV-1065WM/B-X	GMV-450WM/B + GMV-615WM/B	380~415V 3N~ 50/60Hz	100	16.0	16.0×5	40 + 63	6.0 +10.0	6.0×5 + 10.0×5
GMV-1130WM/B-X	GMV-504WM/B + GMV-615WM/B	380~415V 3N~ 50/60Hz	125	16.0	16.0×5	50 + 63	10.0 +10.0	10.0×5 + 10.0×5
GMV-1180WM/B-X	GMV-560WM/B + GMV-615WM/B	380~415V 3N~ 50/60Hz	125	16.0	16.0×5	63 + 63	10.0 +10.0	10.0×5 + 10.0×5
GMV-1235WM/B-X	GMV-615WM/B + GMV-615WM/B	380~415V 3N~ 50/60Hz	125	16.0	16.0×5	63 + 63	10.0 +10.0	10.0×5 + 10.0×5

GMV-1300WM/B-X	GMV-280WM/B-X + GMV-450WM/ B-X + GMV-560WM/ B-X	380~415V 3N~ 50/60Hz	125	16.0	16.0×5	25 + 40 + 63	2.5 + 6.0 + 10.0	2.5×5 + 6.0×5 + 10.0×5
GMV-1350WM/B-X	GMV-280WM/B-X + GMV-450WM/ B-X + GMV-615WM/ B-X	380~415V 3N~ 50/60Hz	125	16.0	16.0×5	25 + 40 + 63	2.5 + 6.0 + 10.0	2.5×5 + 6.0×5 + 10.0×5
GMV-1405WM/B-X	GMV-335WM/B-X + GMV-450WM/ B-X + GMV-615WM/ B-X	380~415V 3N~ 50/60Hz	125	16.0	16.0×5	32 + 40 + 63	4.0 + 6.0 + 10.0	4.0×5 + 6.0×5 + 10.0×5
GMV-1456WM/B-X	GMV-280WM/B-X + GMV-560WM/ B-X + GMV-615WM/ B-X	380~415V 3N~ 50/60Hz	160	25.0	25.0×5	25 + 63 + 63	2.5 + 10.0 + 10.0	2.5×5 + 10.0×5 + 10.0×5
GMV-1512WM/B-X	GMV-280WM/B-X + GMV-615WM/ B-X + GMV-615WM/ B-X	380~415V 3N~ 50/60Hz	160	25.0	25.0×5	25 + 63 + 63	2.5 + 10.0 + 10.0	2.5×5 + 10.0×5 + 10.0×5
GMV-1570WM/B-X	GMV-335WM/B-X + GMV-615WM/ B-X + GMV-615WM/ B-X	380~415V 3N~ 50/60Hz	160	25.0	25.0×5	32+ 63 + 63	4.0 + 10.0 + 10.0	4.0×5 + 10.0×5 + 10.0×5
GMV-1650WM/B-X	GMV-400WM/B-X + GMV-615WM/ B-X + GMV-615WM/ B-X	380~415V 3N~ 50/60Hz	160	25.0	25.0×5	40+ 63 + 63	6.0 + 10.0 + 10.0	6.0×5 + 10.0×5 + 10.0×5
GMV-1700WM/B-X	GMV-450WM/B-X + GMV-615WM/ B-X + GMV-615WM/ B-X	380~415V 3N~ 50/60Hz	160	25.0	25.0×5	40+ 63 + 63	6.0 + 10.0 + 10.0	6.0×5 + 10.0×5 + 10.0×5
GMV-1750WM/B-X	GMV-504WM/B-X + GMV-615WM/ B-X + GMV-615WM/ B-X	380~415V 3N~ 50/60Hz	180	35.0	35.0×5	50+ 63 + 63	10.0 + 10.0 + 10.0	10.0×5 + 10.0×5 + 10.0×5
GMV-1800WM/B-X	GMV-560WM/B-X + GMV-615WM/ B-X + GMV-615WM/ B-X	380~415V 3N~ 50/60Hz	180	35.0	35.0×5	63+ 63 + 63	10.0 + 10.0 + 10.0	10.0×5 + 10.0×5 + 10.0×5

NOTES:

- The circuit breaker and power cable specifications are selected according to the maximum unit power (maximum current).
- The power cable specifications are obtained under the condition that the multi-copper core cable (such as YJV copper-core XLPE insulated PVC sheathed power cable) is laid in the wire trough in an exposed manner (the ambient temperature of use is 40°C and the cable operating temperature is 90°C) (IEC60364-5-523). If the use condition is different, calculate and adjust the specification according to the corresponding national standard.
- The copper core cable must be used.
- The sectional area of lead applies to the maximum distance of 15m. If the distance exceeds 5m, the sectional area of lead must be increased accordingly to prevent burnout of the lead or a fire due to current overload.

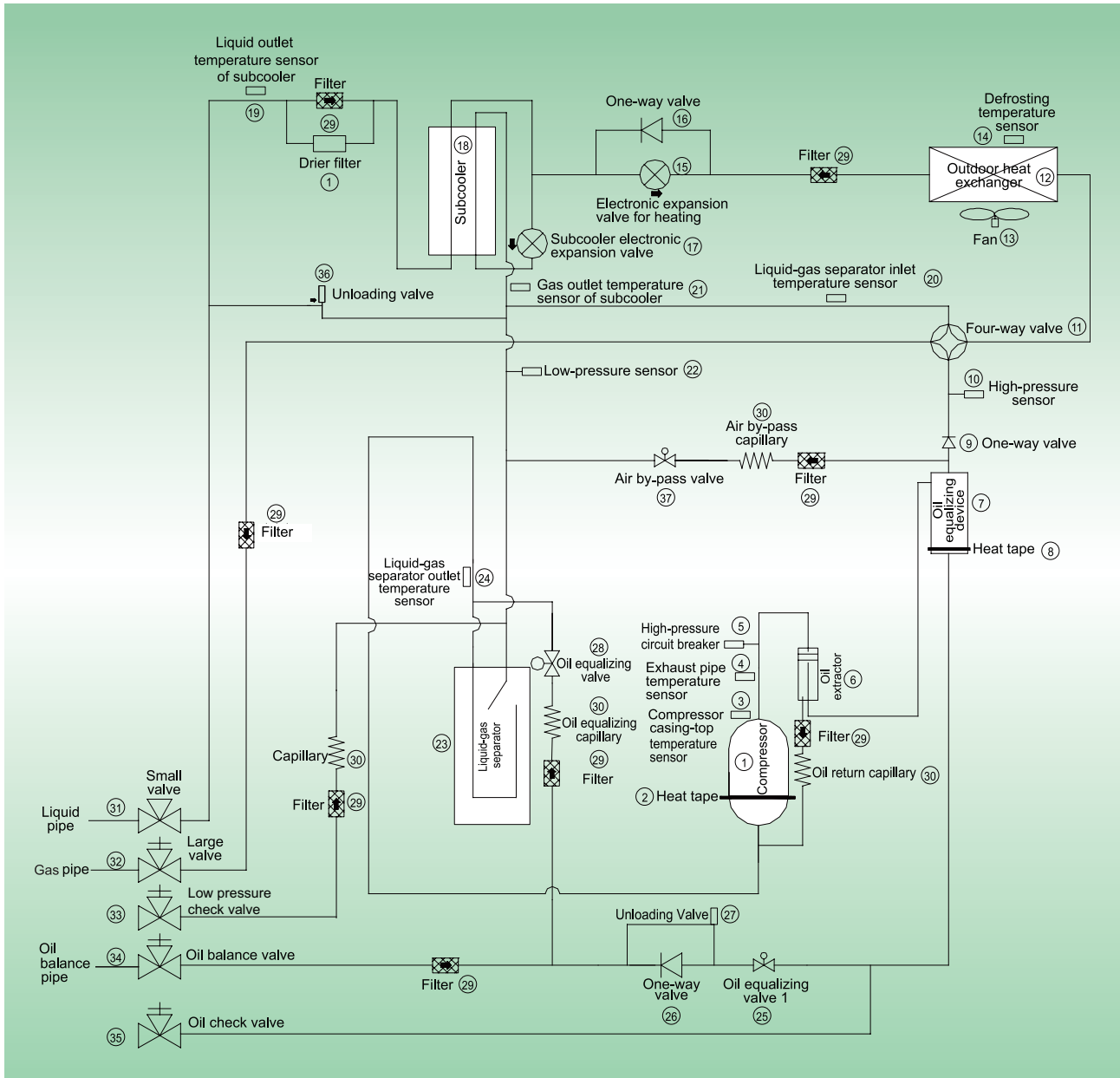
- e. The circuit breaker specification is obtained under the condition that the ambient temperature is 40°C when the circuit breaker is operating. If the use condition is different, calculate and adjust the specification according to the instructions on circuit breaker specifications.
- f. The circuit breaker should provide the magnetic trip and thermal trip functions at the same time to ensure protection in the cases of short circuit and overload.

4 COMBINATION MODE

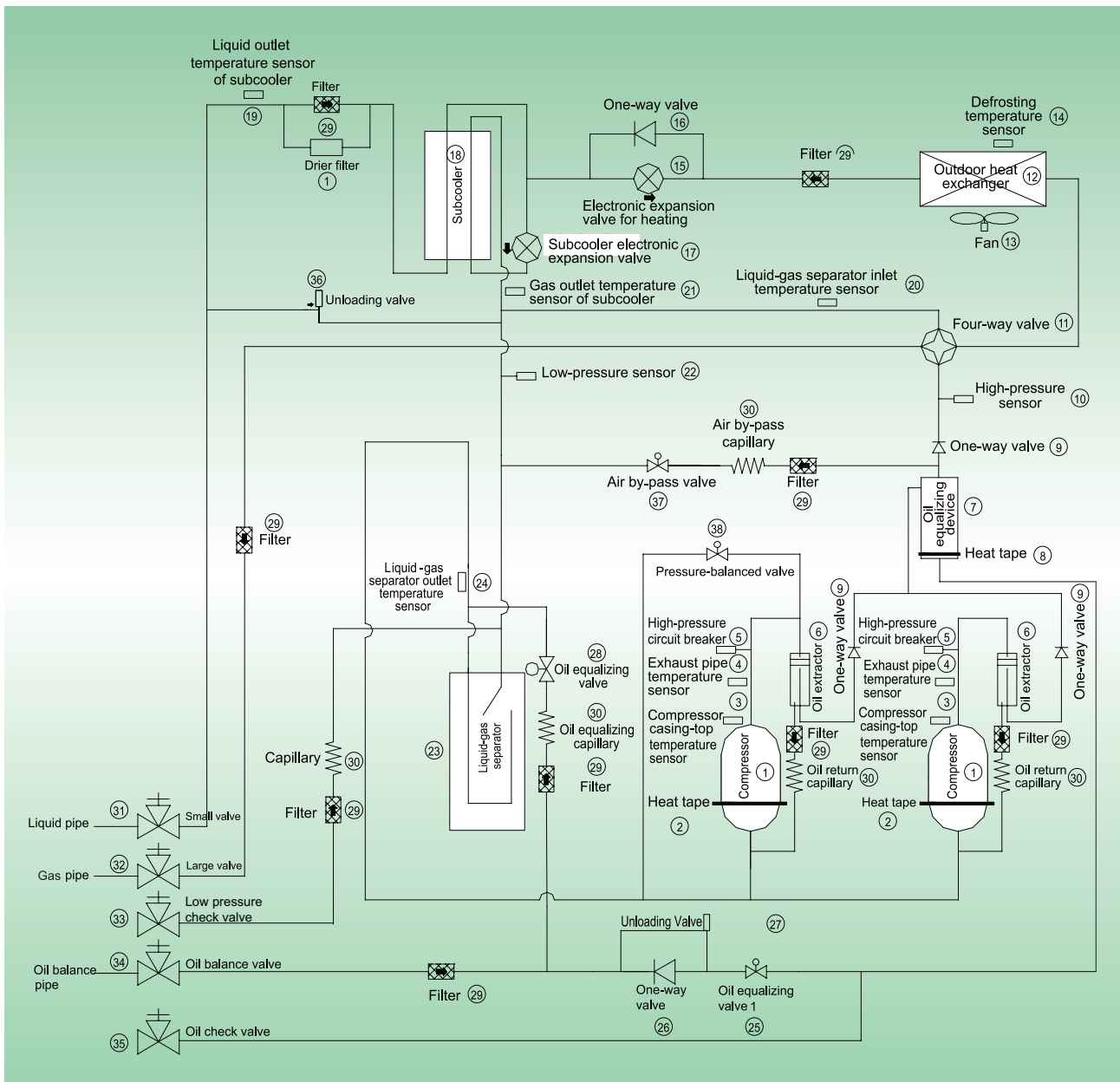
Model	GMV-224WM/ B-X	GMV-280WM/ B-X	GMV-335WM/ B-X	GMV-400WM/ B-X	GMV-450WM/ B-X	GMV-504WM/ B-X	GMV-560WM/ B-X	GMV-615WM/ B-X
GMV-224WM/B-X								
GMV-280WM/B-X								
GMV-335WM/B-X								
GMV-400WM/B-X								
GMV-450WM/B-X								
GMV-504WM/B-X								
GMV-560WM/B-X								
GMV-615WM/B-X								
GMV-680WM/B-X								
GMV-730WM/B-X								
GMV-785WM/B-X								
GMV-850WM/B-X								
GMV-900WM/B-X								
GMV-950WM/B-X								
GMV-1010WM/B-X								
GMV-1065WM/B-X								
GMV-1130WM/B-X								
GMV-1180WM/B-X								

5 INTERNAL PIPING DESIGN OF THE UNITS

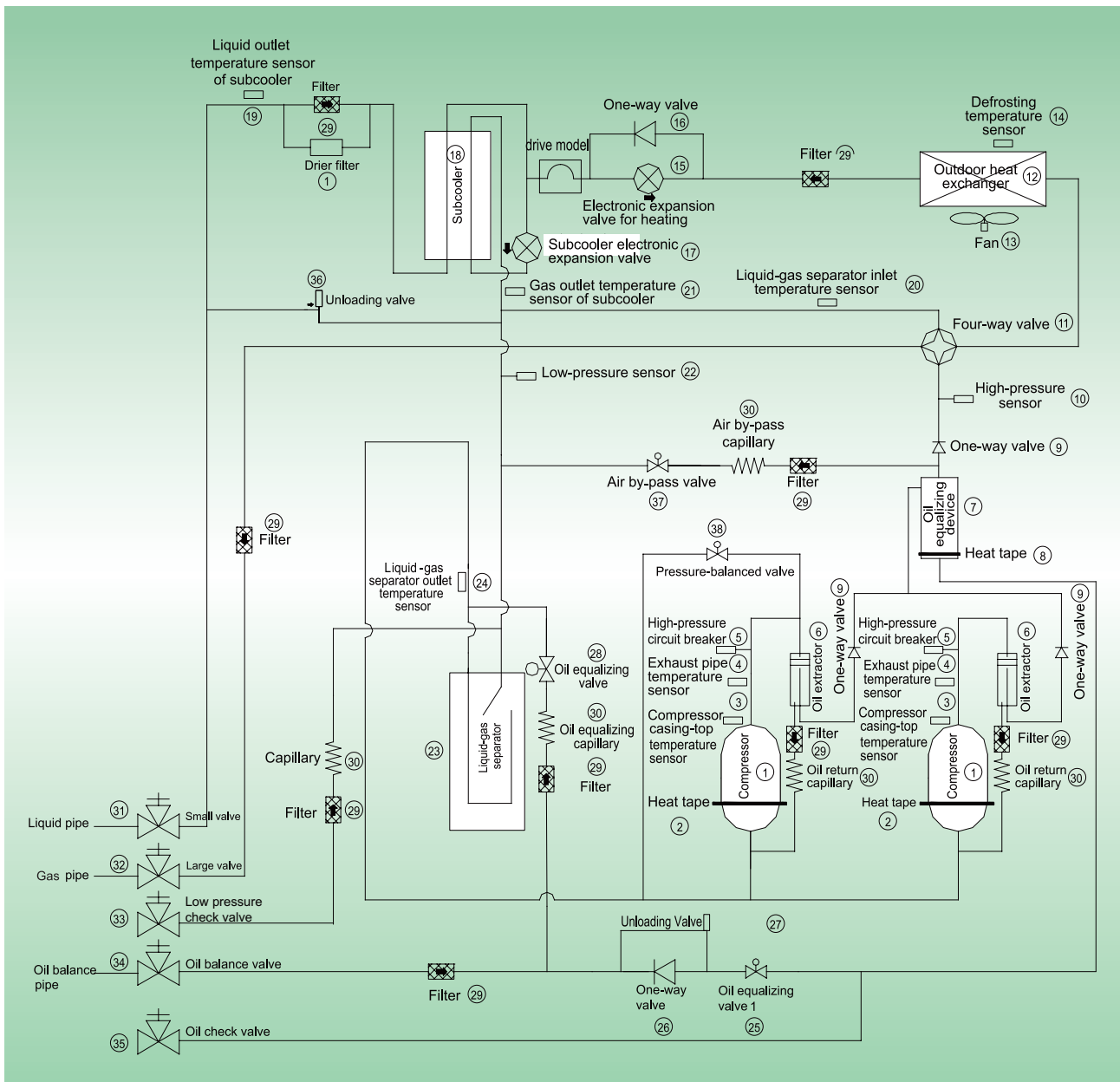
1. Piping diagrams of GMV-224WM/B-X, GMV-280WM/B-X, and GMV-335WM/B-X:



2. Piping diagrams of GMV-400WM/B-X and GMV-450WM/B-X:



3. Piping diagrams of GMV-504WM/B-X, GMV-560WM/B-X and GMV-615WM/B-X:



NOTE: The pressure balance valve is configured for the two compressors modules only.

6 UNIT CAPACITY CORRECTION

6.1 Correction of Capacity Along with Ambient Temperature and Configuration Ratio

➤ Cooling Capacity Calculation Method

GMV-224WM/B-X

TC—Total capacity of outdoor unit; PI—Power input of outdoor unit

Combination	Outdoor air temp (°CDB)	Indoor air temp													
		14.0°C WB		16.0°C WB		18.0°C WB		19.0°C WB		20.0°C WB		22.0°C WB		24.0°C WB	
		20.0°C DB		23.0°C DB		26.0°C DB		27.0°C DB		28.0°C DB		30.0°C DB		32.0°C DB	
		TC	PI	TC	PI	TC	PI	TC	PI	TC	PI	TC	PI	TC	PI
		kW	kW	kW	kW	kW	kW	kW	kW	kW	kW	kW	kW	kW	kW
135%	-5	19.7	2.30	23.4	2.80	27.2	2.83	28.2	2.85	28.8	2.86	29.5	2.90	30.4	2.93
	0	19.7	2.30	23.4	2.81	27.2	2.84	28.2	2.85	28.8	2.87	29.5	2.90	30.4	2.93
	4	19.7	2.31	23.4	2.82	27.2	2.85	28.2	2.87	28.8	2.88	29.5	2.91	30.4	2.95
	7	19.7	2.36	23.4	2.87	27.2	2.90	28.2	2.92	28.8	2.93	29.3	2.97	30.0	3.00
	10	19.7	2.40	23.4	2.93	27.2	3.48	28.2	3.56	28.6	3.49	29.3	3.34	30.0	3.19
	12	19.7	2.44	23.4	2.99	27.2	3.55	27.8	3.54	28.2	3.47	28.9	3.32	29.6	3.27
	14	19.7	2.49	23.4	3.04	27.1	3.60	27.5	3.53	27.8	3.45	28.6	3.42	29.3	3.46
	16	19.7	2.53	23.4	3.11	26.8	3.58	27.1	3.55	27.4	3.57	28.2	3.60	28.9	3.64
	18	19.7	2.58	23.4	3.17	26.4	3.72	26.7	3.74	27.1	3.76	27.8	3.79	28.6	3.83
	20	19.7	2.64	23.4	3.37	26.0	3.90	26.4	3.92	26.7	3.94	27.4	3.97	28.2	4.02
	21	19.7	2.71	23.4	3.49	25.8	3.99	26.2	4.01	26.6	4.03	27.3	4.07	28.0	4.11
	23	19.7	2.90	23.4	3.74	25.5	4.17	25.8	4.19	26.2	4.21	26.9	4.26	27.6	4.30
	25	19.7	3.10	23.4	4.01	25.1	4.35	25.5	4.37	25.8	4.40	26.6	4.44	27.3	4.49
	27	19.7	3.31	23.4	4.29	24.8	3.83	25.1	4.56	25.4	4.58	26.2	4.63	26.9	4.68
	29	19.7	3.53	23.4	4.58	24.4	4.72	24.7	4.75	25.1	4.77	25.8	4.82	26.6	4.87
	31	19.7	3.77	23.4	4.85	24.0	4.91	24.4	4.94	24.7	4.96	25.4	5.01	26.2	5.07
	33	19.7	4.02	23.0	5.03	23.7	5.08	24.0	5.12	24.4	5.15	25.1	5.20	25.8	5.26
	35	19.7	4.28	22.6	5.22	23.3	5.28	23.7	5.31	24.0	5.33	24.7	5.40	25.4	5.45
	37	19.7	4.56	22.2	5.40	23.0	5.47	23.3	5.50	23.7	5.53	24.3	5.59	25.0	5.66
	39	19.7	4.85	21.8	5.59	22.6	5.65	23.0	5.69	23.3	5.72	24.0	5.78	24.7	5.85
41	18.6	5.40	21.4	6.57	22.1	6.65	22.5	6.16	22.8	6.19	23.5	6.26	24.2	6.33	
44	17.3	5.87	20.3	7.15	21.1	7.39	21.5	6.95	21.9	6.67	22.6	6.59	23.4	6.65	
47	16.3	7.81	19.6	9.51	20.4	7.76	20.8	7.06	21.1	7.10	21.9	7.07	22.6	7.14	
50	15.0	7.67	17.6	9.34	18.2	8.18	18.5	8.17	18.8	7.79	19.5	7.66	20.4	7.53	
52	11.3	6.47	13.1	7.88	13.6	6.97	14.0	6.95	14.4	6.83	15.6	6.75	16.5	6.54	

GMV5 DC Inverter VRF Units Technical Sales Guide

Combination	Outdoor air temp (°CDB)	Indoor air temp													
		14.0°C WB		16.0°C WB		18.0°C WB		19.0°C WB		20.0°C WB		22.0°C WB		24.0°C WB	
		20.0°C DB		23.0°C DB		26.0°C DB		27.0°C DB		28.0°C DB		30.0°C DB		32.0°C DB	
		TC	PI	TC	PI	TC	PI	TC	PI	TC	PI	TC	PI	TC	PI
		kW	kW	kW	kW	kW	kW	kW	kW	kW	kW	kW	kW	kW	kW
120%	-5	18.2	2.05	22.4	2.65	26.7	2.82	27.7	2.83	28.3	2.85	28.9	2.88	29.7	2.91
	0	18.2	2.05	22.4	2.66	26.7	2.82	27.7	2.84	28.3	2.85	28.9	2.88	29.7	2.91
	4	18.2	2.06	22.4	2.66	26.7	2.83	27.7	2.85	28.3	2.86	28.9	2.89	29.7	2.92
	7	18.2	2.10	22.4	2.71	26.7	2.88	27.7	2.90	28.3	2.91	28.7	2.95	29.3	2.98
	10	18.2	2.19	21.6	2.67	25.1	3.18	26.9	3.43	28.2	3.58	28.8	3.44	29.4	3.31
	12	18.2	2.23	21.6	2.72	25.1	3.24	26.9	3.50	27.8	3.56	28.4	3.43	29.0	3.29
	14	18.2	2.27	21.6	2.78	25.1	3.30	26.9	3.57	27.4	3.54	28.1	3.41	28.7	3.43
	16	18.2	2.31	21.6	2.83	25.1	3.36	26.7	3.60	27.0	3.55	27.7	3.58	28.3	3.61
	18	18.2	2.36	21.6	2.89	25.1	3.48	26.3	3.72	26.6	3.73	27.3	3.76	28.0	3.80
	20	18.2	2.40	21.6	3.00	25.1	3.74	26.0	3.90	26.3	3.91	27.0	3.95	27.6	3.98
	21	18.2	2.43	21.6	3.11	25.1	3.88	25.8	3.99	26.1	4.00	26.8	4.04	27.4	4.08
	23	18.2	2.59	21.6	3.33	25.1	4.15	25.4	4.16	25.8	4.18	26.4	4.23	27.0	4.26
	25	18.2	2.77	21.6	3.56	24.7	4.33	25.0	4.35	25.4	4.37	26.1	4.41	26.7	4.45
	27	18.2	2.96	21.6	3.81	24.4	4.51	24.7	4.54	25.0	4.56	25.7	4.60	26.3	4.64
	29	18.2	3.15	21.6	4.07	24.0	4.69	24.3	4.72	24.6	4.74	25.3	4.79	26.0	4.83
	31	18.2	3.36	21.6	4.34	23.7	4.88	24.0	4.90	24.3	4.93	25.0	4.98	25.6	5.03
	33	18.2	3.58	21.6	4.63	23.3	5.06	23.6	5.09	23.9	5.11	24.6	5.17	25.2	5.22
	35	18.2	3.81	21.6	4.94	22.9	5.24	23.2	5.27	23.6	5.30	24.2	5.36	24.9	5.41
	37	18.2	4.06	21.6	5.26	22.6	5.43	22.9	5.46	23.2	5.49	23.8	5.54	24.5	5.61
	39	18.2	4.32	21.5	5.55	22.2	5.62	22.5	5.65	22.8	5.68	23.5	5.74	24.2	5.80
41	17.2	4.80	20.5	6.22	21.7	6.61	22.1	6.11	22.4	6.15	23.1	6.21	23.7	6.28	
44	16.0	5.22	19.4	6.76	20.7	7.34	21.1	6.91	21.5	6.62	22.2	6.53	22.9	6.60	
47	15.1	6.95	18.8	9.00	20.0	7.71	20.4	7.01	20.8	7.05	21.5	7.02	22.1	7.09	
50	13.8	6.83	16.8	8.83	17.9	8.13	18.2	8.12	18.5	7.74	19.1	7.61	19.9	7.47	
52	10.5	5.76	12.5	7.45	13.4	6.92	13.7	6.91	14.2	6.78	15.3	6.69	16.2	6.49	

Combination	Outdoor air temp (°CDB)	Indoor air temp													
		14.0°C WB		16.0°C WB		18.0°C WB		19.0°C WB		20.0°C WB		22.0°C WB		24.0°C WB	
		20.0°C DB		23.0°C DB		26.0°C DB		27.0°C DB		28.0°C DB		30.0°C DB		32.0°C DB	
		TC	PI	TC	PI	TC	PI	TC	PI	TC	PI	TC	PI	TC	PI
		kW	kW	kW	kW	kW	kW	kW	kW	kW	kW	kW	kW	kW	
110%	-5	16.6	1.81	20.6	2.33	26.4	2.80	27.2	2.81	27.7	2.83	28.3	2.85	29.1	2.88
	0	16.6	1.81	20.6	2.33	26.4	2.80	27.2	2.82	27.7	2.83	28.3	2.86	29.1	2.89
	4	16.6	1.82	20.6	2.34	26.4	2.81	27.2	2.83	27.7	2.84	28.3	2.87	29.1	2.90
	7	16.6	1.85	20.6	2.39	26.4	2.86	27.2	2.88	27.7	2.90	28.0	2.92	28.7	2.95
	10	16.6	1.98	19.8	2.42	23.0	2.87	24.6	3.11	26.2	3.34	28.2	3.55	28.9	3.43
	12	16.6	2.03	19.8	2.47	23.0	2.93	24.6	3.17	26.2	3.41	27.9	3.53	28.5	3.41
	14	16.6	2.06	19.8	2.51	23.0	2.99	24.6	3.22	26.2	3.47	27.5	3.53	28.2	3.40
	16	16.6	2.10	19.8	2.56	23.0	3.04	24.6	3.29	26.2	3.54	27.2	3.55	27.8	3.59
	18	16.6	2.14	19.8	2.61	23.0	3.11	24.6	3.38	26.2	3.71	26.8	3.74	27.4	3.77
	20	16.6	2.18	19.8	2.66	23.0	3.29	24.6	3.63	25.8	3.89	26.5	3.92	27.0	3.95
	21	16.6	2.20	19.8	2.74	23.0	3.41	24.6	3.76	25.7	3.98	26.2	4.01	26.9	4.04
	23	16.6	2.31	19.8	2.94	23.0	3.65	24.6	4.04	25.3	4.16	25.9	4.20	26.5	4.23
	25	16.6	2.45	19.8	3.14	23.0	3.90	24.6	4.33	25.0	4.34	25.5	4.38	26.2	4.42
	27	16.6	2.62	19.8	3.36	23.0	4.18	24.2	4.51	24.6	4.52	25.2	4.56	25.8	4.61
	29	16.6	2.80	19.8	3.58	23.0	4.47	23.9	4.69	24.2	4.71	24.8	4.75	25.4	4.79
	31	16.6	2.98	19.8	3.82	23.0	4.77	23.5	4.87	23.8	4.89	24.5	4.94	25.0	4.98
	33	16.6	3.17	19.8	4.07	22.9	5.03	23.2	5.05	23.5	5.08	24.1	5.12	24.7	5.17
	35	16.6	3.37	19.8	4.34	22.6	5.21	22.8	5.24	23.1	5.26	23.7	5.31	24.3	5.36
	37	16.6	3.59	19.8	4.62	22.2	5.40	22.5	5.42	22.7	5.45	23.4	5.50	23.9	5.55
	39	16.6	3.81	19.8	4.92	21.8	5.58	22.1	5.61	22.4	5.64	23.0	5.69	23.6	5.75
41	15.7	4.25	18.8	5.47	21.4	6.56	21.7	6.07	22.0	6.11	22.5	6.16	23.2	6.22	
44	14.6	4.62	17.9	5.94	20.4	7.29	20.7	6.86	21.1	6.58	21.7	6.48	22.4	6.54	
47	13.8	6.15	17.3	7.91	19.7	7.66	20.0	6.96	20.3	7.00	21.0	6.96	21.6	7.03	
50	12.6	6.04	15.5	7.77	17.6	8.07	17.9	8.06	18.1	7.69	18.7	7.55	19.5	7.40	
52	9.6	5.09	11.5	6.55	13.2	6.88	13.5	6.86	13.9	6.74	14.9	6.64	15.8	6.44	

Combination	Outdoor air temp (°CDB)	Indoor air temp													
		14.0°C WB		16.0°C WB		18.0°C WB		19.0°C WB		20.0°C WB		22.0°C WB		24.0°C WB	
		20.0°C DB		23.0°C DB		26.0°C DB		27.0°C DB		28.0°C DB		30.0°C DB		32.0°C DB	
		TC	PI	TC	PI	TC	PI	TC	PI	TC	PI	TC	PI	TC	PI
		kW	kW	kW	kW	kW	kW	kW	kW	kW	kW	kW	kW	kW	kW
100%	-5	15.1	1.58	18.7	2.03	24.5	2.53	26.7	2.79	27.2	2.81	27.7	2.83	28.4	2.86
	0	15.1	1.59	18.7	2.03	24.5	2.53	26.7	2.80	27.2	2.81	27.7	2.84	28.4	2.86
	4	15.1	1.59	18.7	2.04	24.5	2.54	26.7	2.81	27.2	2.82	27.7	2.85	28.4	2.87
	7	15.1	1.62	18.7	2.08	24.5	2.59	26.7	2.86	27.2	2.88	27.5	2.90	28.0	2.93
	10	15.1	1.79	18.0	2.18	21.0	2.58	22.4	2.78	23.8	3.01	26.8	3.40	28.3	3.54
	12	15.1	1.82	18.0	2.21	21.0	2.61	22.4	2.82	23.8	3.06	26.8	3.46	27.9	3.51
	14	15.1	1.85	18.0	2.25	21.0	2.66	22.4	2.87	23.8	3.12	26.8	3.52	27.6	3.48
	16	15.1	1.89	18.0	2.30	21.0	2.72	22.4	2.94	23.8	3.19	26.7	3.60	27.2	3.56
	18	15.1	1.93	18.0	2.35	21.0	2.77	22.4	2.99	23.8	3.25	26.3	3.67	26.9	3.73
	20	15.1	1.96	18.0	2.39	21.0	2.86	22.4	3.15	23.8	3.46	25.9	3.86	26.5	3.92
	21	15.1	1.98	18.0	2.41	21.0	2.96	22.4	3.26	23.8	3.58	25.8	4.00	26.3	4.03
	23	15.1	2.03	18.0	2.57	21.0	3.18	22.4	3.50	23.8	3.85	25.4	4.23	25.9	4.27
	25	15.1	2.16	18.0	2.74	21.0	3.39	22.4	3.73	23.8	4.12	25.0	4.38	25.6	4.42
	27	15.1	2.31	18.0	2.93	21.0	3.63	22.4	4.00	23.8	4.42	24.6	4.54	25.2	4.58
	29	15.1	2.45	18.0	3.13	21.0	3.88	22.4	4.28	23.8	4.68	24.3	4.75	24.9	4.80
	31	15.1	2.61	18.0	3.33	21.0	4.14	22.4	4.61	23.5	4.87	23.7	4.95	24.5	4.99
	33	15.1	2.77	18.0	3.54	21.0	4.42	22.4	4.88	23.0	5.04	23.6	5.09	24.1	5.14
	35	15.1	2.95	18.0	3.78	21.0	4.71	22.4	5.20	22.6	5.23	23.2	5.27	23.7	5.32
	37	15.1	3.14	18.0	4.02	21.0	5.01	22.0	5.39	22.4	5.42	22.8	5.45	23.4	5.50
	39	15.1	3.34	18.0	4.28	21.0	5.34	21.7	5.57	21.8	5.59	22.6	5.63	22.8	5.68
41	14.3	3.72	17.1	4.76	19.9	5.93	21.3	6.03	21.5	6.06	22.1	6.12	22.6	6.17	
44	13.3	4.04	16.2	5.17	19.0	6.59	20.4	6.81	20.7	6.53	21.2	6.43	21.8	6.49	
47	12.5	5.38	15.7	6.88	18.3	6.92	19.7	6.92	19.9	6.95	20.5	6.91	21.1	6.97	
50	11.5	5.28	14.0	6.76	16.4	7.30	17.5	8.01	17.8	7.63	18.3	7.49	19.0	7.34	
52	8.7	4.45	10.4	5.70	12.3	6.21	13.2	6.81	13.6	6.69	14.6	6.59	15.4	6.39	

Combination	Outdoor air temp (°CDB)	Indoor air temp													
		14.0°C WB		16.0°C WB		18.0°C WB		19.0°C WB		20.0°C WB		22.0°C WB		24.0°C WB	
		20.0°C DB		23.0°C DB		26.0°C DB		27.0°C DB		28.0°C DB		30.0°C DB		32.0°C DB	
		TC	PI	TC	PI	TC	PI	TC	PI	TC	PI	TC	PI	TC	PI
		kW	kW	kW	kW	kW	kW	kW	kW	kW	kW	kW	kW	kW	kW
90%	-5	13.6	1.38	16.8	1.75	22.0	2.16	24.0	2.39	25.7	2.62	27.1	2.81	27.7	2.83
	0	13.6	1.38	16.8	1.75	22.0	2.16	24.0	2.39	25.7	2.63	27.1	2.81	27.7	2.84
	4	13.6	1.39	16.8	1.76	22.0	2.17	24.0	2.40	25.7	2.64	27.1	2.82	27.7	2.85
	7	13.6	1.41	16.8	1.79	22.0	2.21	24.0	2.44	25.7	2.69	26.9	2.88	27.4	2.90
	10	13.6	1.57	16.2	1.88	18.9	2.20	20.2	2.48	21.5	2.64	24.1	3.03	26.7	3.43
	12	13.6	1.59	16.2	1.91	18.9	2.23	20.2	2.51	21.5	2.69	24.1	3.08	26.7	3.47
	14	13.6	1.61	16.2	1.94	18.9	2.27	20.2	2.55	21.5	2.74	24.1	3.13	26.7	3.53
	16	13.6	1.65	16.2	1.98	18.9	2.32	20.2	2.61	21.5	2.80	24.1	3.20	26.6	3.60
	18	13.6	1.69	16.2	2.03	18.9	2.37	20.2	2.66	21.5	2.85	24.1	3.28	26.4	3.73
	20	13.6	1.71	16.2	2.06	18.9	2.44	20.2	2.71	21.5	2.97	24.1	3.52	25.9	3.88
	21	13.6	1.73	16.2	2.08	18.9	2.53	20.2	2.80	21.5	3.08	24.1	3.64	25.8	3.97
	23	13.6	1.77	16.2	2.22	18.9	2.72	20.2	3.02	21.5	3.29	24.1	3.91	25.4	4.18
	25	13.6	1.89	16.2	2.36	18.9	2.89	20.2	3.22	21.5	3.52	24.1	4.18	25.0	4.35
	27	13.6	2.02	16.2	2.52	18.9	3.10	20.2	3.43	21.5	3.77	24.1	4.46	24.6	4.54
	29	13.6	2.14	16.2	2.70	18.9	3.32	20.2	3.67	21.5	4.02	23.8	4.68	24.3	4.72
	31	13.6	2.27	16.2	2.87	18.9	3.54	20.2	3.92	21.5	4.29	23.4	4.85	23.9	4.91
	33	13.6	2.42	16.2	3.06	18.9	3.77	20.2	4.17	21.5	4.57	23.1	5.05	23.6	5.09
	35	13.6	2.57	16.2	3.26	18.9	4.02	20.2	4.44	21.5	4.89	22.7	5.23	23.2	5.28
	37	13.6	2.74	16.2	3.47	18.9	4.28	19.8	4.60	21.5	5.23	22.3	5.42	22.9	5.40
	39	13.6	2.92	16.2	3.69	18.9	4.56	19.5	4.75	21.5	5.54	22.0	5.62	22.5	5.60
41	12.9	3.24	15.4	4.10	17.9	5.07	19.2	5.15	20.4	5.67	21.6	6.06	22.1	6.12	
44	12.0	3.52	14.6	4.46	17.1	5.63	18.3	5.82	19.6	6.11	20.8	6.38	21.3	6.44	
47	11.3	4.69	14.1	5.94	16.5	5.91	17.7	5.91	18.9	6.50	20.1	6.85	20.6	6.91	
50	10.3	4.60	12.6	5.83	14.7	6.23	15.8	6.84	16.8	7.13	17.9	7.42	18.6	7.28	
52	7.8	3.88	9.4	4.92	11.0	5.31	11.9	5.82	12.9	6.25	14.3	6.54	15.1	6.33	

GMV5 DC Inverter VRF Units Technical Sales Guide

Combination	Outdoor air temp (°CDB)	Indoor air temp													
		14.0°C WB		16.0°C WB		18.0°C WB		19.0°C WB		20.0°C WB		22.0°C WB		24.0°C WB	
		20.0°C DB		23.0°C DB		26.0°C DB		27.0°C DB		28.0°C DB		30.0°C DB		32.0°C DB	
		TC	PI	TC	PI	TC	PI	TC	PI	TC	PI	TC	PI	TC	PI
		kW	kW	kW	kW	kW	kW	kW	kW	kW	kW	kW	kW	kW	kW
80%	-5	12.1	1.19	15.0	1.47	19.6	1.83	21.4	2.01	22.8	2.20	25.6	2.61	27.1	2.80
	0	12.1	1.20	15.0	1.47	19.6	1.83	21.4	2.02	22.8	2.21	25.6	2.62	27.1	2.80
	4	12.1	1.20	15.0	1.48	19.6	1.84	21.4	2.03	22.8	2.21	25.6	2.63	27.1	2.81
	7	12.1	1.22	15.0	1.51	19.6	1.87	21.4	2.06	22.8	2.25	25.4	2.68	26.7	2.87
	10	12.1	1.42	14.4	1.70	16.8	2.00	17.9	2.16	19.1	2.31	21.4	2.64	23.8	3.07
	12	12.1	1.44	14.4	1.73	16.8	2.04	17.9	2.20	19.1	2.36	21.4	2.69	23.8	3.04
	14	12.1	1.47	14.4	1.77	16.8	2.07	17.9	2.24	19.1	2.40	21.4	2.73	23.8	3.11
	16	12.1	1.49	14.4	1.79	16.8	2.12	17.9	2.28	19.1	2.44	21.4	2.79	23.8	3.22
	18	12.1	1.52	14.4	1.83	16.8	2.16	17.9	2.33	19.1	2.48	21.4	2.86	23.8	3.45
	20	12.1	1.55	14.4	1.86	16.8	2.20	17.9	2.37	19.1	2.54	21.4	2.96	23.8	3.57
	21	12.1	1.56	14.4	1.88	16.8	2.22	17.9	2.40	19.1	2.60	21.4	3.07	23.8	3.83
	23	12.1	1.59	14.4	1.92	16.8	2.33	17.9	2.55	19.1	2.78	21.4	3.28	23.8	4.09
	25	12.1	1.64	14.4	2.04	16.8	2.49	17.9	2.73	19.1	2.96	21.4	3.51	23.8	4.37
	27	12.1	1.75	14.4	2.17	16.8	2.65	17.9	2.91	19.1	3.18	21.4	3.75	23.8	4.52
	29	12.1	1.86	14.4	2.31	16.8	2.83	17.9	3.10	19.0	3.39	21.4	4.00	23.8	4.68
	31	12.1	1.97	14.4	2.46	16.8	3.01	17.9	3.30	19.0	3.61	21.4	4.27	23.4	4.85
	33	12.1	2.10	14.4	2.74	16.8	3.20	17.9	3.52	19.0	3.85	21.4	4.56	23.0	5.03
	35	12.1	2.22	14.4	2.74	16.8	3.41	17.9	3.75	19.0	4.10	21.4	4.87	22.6	5.21
	37	12.1	2.36	14.4	2.95	16.8	3.62	17.6	3.99	19.0	4.37	21.4	5.18	22.3	5.41
	39	12.1	2.50	14.4	3.13	16.8	3.86	17.4	4.25	19.0	4.65	21.4	5.52	21.9	5.61
41	11.4	2.80	13.7	3.45	15.9	4.29	17.0	4.35	18.1	4.75	20.4	5.64	21.6	6.05	
44	10.6	3.04	13.0	3.76	15.2	4.77	16.3	4.91	17.4	5.12	19.6	5.94	20.8	6.36	
47	10.0	4.05	12.5	5.00	14.7	5.01	15.7	4.99	16.7	5.45	19.0	6.37	20.1	6.83	
50	9.2	3.98	11.2	4.91	13.1	5.28	14.0	5.78	14.9	5.98	16.9	6.91	18.1	7.19	
52	7.0	3.36	8.4	4.14	9.8	4.50	10.6	4.91	11.4	5.25	13.5	6.08	14.7	6.26	

Combination	Outdoor air temp (°CDB)	Indoor air temp													
		14.0°C WB		16.0°C WB		18.0°C WB		19.0°C WB		20.0°C WB		22.0°C WB		24.0°C WB	
		20.0°C DB		23.0°C DB		26.0°C DB		27.0°C DB		28.0°C DB		30.0°C DB		32.0°C DB	
		TC	PI	TC	PI	TC	PI	TC	PI	TC	PI	TC	PI	TC	PI
		kW	kW	kW	kW	kW	kW	kW	kW	kW	kW	kW	kW	kW	kW
70%	-5	10.6	1.02	13.1	1.26	17.1	1.52	18.7	1.67	20.0	1.82	22.4	2.15	24.9	2.50
	0	10.6	1.02	13.1	1.26	17.1	1.53	18.7	1.67	20.0	1.83	22.4	2.15	24.9	2.50
	4	10.6	1.02	13.1	1.26	17.1	1.53	18.7	1.68	20.0	1.83	22.4	2.16	24.9	2.51
	7	10.6	1.04	13.1	1.29	17.1	1.56	18.7	1.71	20.0	1.87	22.2	2.20	24.5	2.56
	10	10.6	1.25	12.6	1.49	14.7	1.73	15.7	1.86	16.7	2.00	18.8	2.27	20.8	2.55
	12	10.6	1.27	12.6	1.51	14.7	1.77	15.7	1.90	16.7	2.03	18.8	2.31	20.8	2.60
	14	10.6	1.29	12.6	1.54	14.7	1.79	15.7	1.93	16.7	2.07	18.8	2.36	20.8	2.65
	16	10.6	1.31	12.6	1.56	14.7	1.83	15.7	1.97	16.7	2.11	18.8	2.40	20.8	2.70
	18	10.6	1.33	12.6	1.59	14.7	1.86	15.7	2.00	16.7	2.15	18.8	2.45	20.8	2.75
	20	10.6	1.35	12.6	1.62	14.7	1.90	15.7	2.04	16.7	2.19	18.8	2.50	20.8	2.83
	21	10.6	1.37	12.6	1.63	14.7	1.91	15.7	2.06	16.7	2.21	18.8	2.52	20.8	2.93
	23	10.6	1.39	12.6	1.66	14.7	1.96	15.7	2.13	16.7	2.32	18.8	2.71	20.8	3.14
	25	10.6	1.42	12.6	1.73	14.7	2.08	15.7	2.28	16.7	2.47	18.8	2.90	20.8	3.36
	27	10.6	1.50	12.6	1.84	14.7	2.22	15.7	2.43	16.7	2.64	18.8	3.10	20.8	3.59
	29	10.6	1.59	12.6	1.96	14.7	2.36	15.7	2.59	16.7	2.81	18.8	3.30	20.8	3.83
	31	10.6	1.68	12.6	2.07	14.7	2.52	15.7	2.75	16.7	2.99	18.8	3.52	20.8	4.09
	33	10.6	1.79	12.6	2.21	14.7	2.68	15.7	2.92	16.7	3.19	18.8	3.75	20.8	4.36
	35	10.6	1.89	12.6	2.34	14.7	2.84	15.7	3.11	16.7	3.39	18.8	4.00	20.8	4.65
	37	10.6	2.00	12.6	2.48	14.7	3.02	15.4	3.31	16.7	3.61	18.8	4.26	20.8	4.95
	39	10.6	2.12	12.6	2.63	14.7	3.20	15.2	3.51	16.7	3.83	18.8	4.52	20.8	5.27
41	10.0	2.38	12.0	2.95	13.9	3.58	14.9	3.61	15.9	3.94	17.9	4.64	19.8	5.39	
44	9.3	2.59	11.3	3.21	13.3	3.97	14.3	4.08	15.2	4.24	17.2	4.87	19.1	5.67	
47	8.8	3.45	11.0	4.27	12.8	4.17	13.8	4.14	14.7	4.51	16.6	5.23	18.5	6.09	
50	8.0	3.39	9.8	4.19	11.5	4.40	12.3	4.79	13.1	4.95	14.8	5.67	16.6	6.41	
52	6.1	2.86	7.3	3.54	8.6	3.75	9.3	4.08	10.0	4.34	11.8	4.99	13.5	5.58	

Combination	Outdoor air temp (°CDB)	Indoor air temp													
		14.0°C WB		16.0°C WB		18.0°C WB		19.0°C WB		20.0°C WB		22.0°C WB		24.0°C WB	
		20.0°C DB		23.0°C DB		26.0°C DB		27.0°C DB		28.0°C DB		30.0°C DB		32.0°C DB	
		TC	PI	TC	PI	TC	PI	TC	PI	TC	PI	TC	PI	TC	PI
		kW	kW	kW	kW	kW	kW	kW	kW	kW	kW	kW	kW	kW	kW
60%	-5	9.1	0.85	11.2	1.04	14.7	1.25	16.0	1.36	17.2	1.48	19.2	1.73	21.3	2.00
	0	9.1	0.86	11.2	1.04	14.7	1.25	16.0	1.37	17.2	1.48	19.2	1.73	21.3	2.00
	4	9.1	0.86	11.2	1.05	14.7	1.26	16.0	1.37	17.2	1.49	19.2	1.74	21.3	2.01
	7	9.1	0.88	11.2	1.07	14.7	1.28	16.0	1.40	17.2	1.52	19.0	1.77	21.0	2.04
	10	9.1	1.09	10.8	1.28	12.6	1.48	13.4	1.58	14.3	1.69	16.1	1.91	17.8	2.15
	12	9.1	1.11	10.8	1.30	12.6	1.51	13.4	1.61	14.3	1.72	16.1	1.95	17.8	2.18
	14	9.1	1.12	10.8	1.32	12.6	1.53	13.4	1.64	14.3	1.75	16.1	1.98	17.8	2.22
	16	9.1	1.14	10.8	1.34	12.6	1.56	13.4	1.67	14.3	1.78	16.1	2.02	17.8	2.26
	18	9.1	1.16	10.8	1.36	12.6	1.58	13.4	1.70	14.3	1.82	16.1	2.05	17.8	2.31
	20	9.1	1.17	10.8	1.39	12.6	1.61	13.4	1.73	14.3	1.85	16.1	2.10	17.8	2.36
	21	9.1	1.18	10.8	1.39	12.6	1.63	13.4	1.75	14.3	1.86	16.1	2.12	17.8	2.38
	23	9.1	1.20	10.8	1.42	12.6	1.65	13.4	1.78	14.3	1.90	16.1	2.20	17.8	2.53
	25	9.1	1.22	10.8	1.45	12.6	1.72	13.4	1.86	14.3	2.02	16.1	2.35	17.8	2.70
	27	9.1	1.27	10.8	1.54	12.6	1.83	13.4	1.99	14.3	2.15	16.1	2.50	17.8	2.88
	29	9.1	1.34	10.8	1.63	12.6	1.95	13.4	2.12	14.3	2.29	16.1	2.67	17.8	3.08
	31	9.1	1.42	10.8	1.73	12.6	2.07	13.4	2.25	14.3	2.44	16.1	2.84	17.8	3.27
	33	9.1	1.50	10.8	1.83	12.6	2.19	13.4	2.39	14.3	2.59	16.1	3.02	17.8	3.49
	35	9.1	1.59	10.8	1.94	12.6	2.33	13.4	2.54	14.3	2.75	16.1	3.22	17.8	3.72
	37	9.1	1.68	10.8	2.05	12.6	2.47	13.2	2.69	14.3	2.92	16.1	3.42	17.8	3.95
	39	9.1	1.77	10.8	2.17	12.6	2.61	13.0	2.85	14.3	3.11	16.1	3.63	17.8	4.21
41	8.6	2.01	10.3	2.45	11.9	2.93	12.8	2.94	13.6	3.20	15.3	3.73	17.0	4.31	
44	8.0	2.18	9.7	2.66	11.4	3.26	12.2	3.32	13.1	3.44	14.7	3.93	16.4	4.53	
47	7.5	2.90	9.4	3.54	11.0	3.42	11.8	3.38	12.6	3.66	14.2	4.22	15.9	4.87	
50	6.9	2.85	8.4	3.48	9.8	3.61	10.5	3.91	11.2	4.02	12.7	4.57	14.3	5.13	
52	5.2	2.40	6.3	2.93	7.4	3.07	7.9	3.32	8.6	3.53	10.1	4.02	11.6	4.46	

Combination	Outdoor air temp (°CDB)	Indoor air temp													
		14.0°C WB		16.0°C WB		18.0°C WB		19.0°C WB		20.0°C WB		22.0°C WB		24.0°C WB	
		20.0°C DB		23.0°C DB		26.0°C DB		27.0°C DB		28.0°C DB		30.0°C DB		32.0°C DB	
		TC	PI	TC	PI	TC	PI	TC	PI	TC	PI	TC	PI	TC	PI
		kW	kW	kW	kW	kW	kW	kW	kW	kW	kW	kW	kW	kW	
50%	-5	7.6	0.71	9.4	0.85	12.2	1.00	13.4	1.08	14.3	1.17	16.0	1.36	17.8	1.55
	0	7.6	0.71	9.4	0.85	12.2	1.00	13.4	1.09	14.3	1.17	16.0	1.36	17.8	1.55
	4	7.6	0.71	9.4	0.85	12.2	1.01	13.4	1.09	14.3	1.18	16.0	1.36	17.8	1.56
	7	7.6	0.72	9.4	0.87	12.2	1.03	13.4	1.11	14.3	1.20	15.9	1.39	17.5	1.59
	10	7.6	0.94	9.0	1.09	10.5	1.24	11.2	1.32	11.9	1.40	13.4	1.58	14.9	1.76
	12	7.6	0.95	9.0	1.10	10.5	1.26	11.2	1.34	11.9	1.43	13.4	1.61	14.9	1.79
	14	7.6	0.96	9.0	1.11	10.5	1.28	11.2	1.37	11.9	1.45	13.4	1.63	14.9	1.82
	16	7.6	0.97	9.0	1.13	10.5	1.30	11.2	1.39	11.9	1.47	13.4	1.66	14.9	1.85
	18	7.6	0.99	9.0	1.15	10.5	1.32	11.2	1.41	11.9	1.50	13.4	1.69	14.9	1.89
	20	7.6	1.00	9.0	1.16	10.5	1.34	11.2	1.44	11.9	1.53	13.4	1.72	14.9	1.92
	21	7.6	1.01	9.0	1.18	10.5	1.35	11.2	1.44	11.9	1.54	13.4	1.74	14.9	1.94
	23	7.6	1.02	9.0	1.19	10.5	1.37	11.2	1.47	11.9	1.57	13.4	1.77	14.9	1.98
	25	7.6	1.04	9.0	1.21	10.5	1.40	11.2	1.50	11.9	1.62	13.4	1.86	14.9	2.12
	27	7.6	1.06	9.0	1.26	10.5	1.48	11.2	1.60	11.9	1.72	13.4	1.98	14.9	2.26
	29	7.6	1.11	9.0	1.33	10.5	1.57	11.2	1.70	11.9	1.83	13.4	2.10	14.9	2.40
	31	7.6	1.18	9.0	1.41	10.5	1.68	11.2	1.80	11.9	1.94	13.4	2.24	14.9	2.56
	33	7.6	1.25	9.0	1.49	10.5	1.77	11.2	1.91	11.9	2.06	13.4	2.38	14.9	2.72
	35	7.6	1.32	9.0	1.58	10.5	1.86	11.2	2.02	11.9	2.18	13.4	2.52	14.9	2.89
	37	7.6	1.39	9.0	1.67	10.5	1.98	11.0	2.14	11.9	2.31	13.4	2.68	14.9	3.07
	39	7.6	1.47	9.0	1.76	10.5	2.09	10.9	2.26	11.9	2.45	13.4	2.84	14.9	3.26
41	7.1	1.66	8.5	1.99	10.0	2.35	10.6	2.34	11.3	2.53	12.8	2.93	14.2	3.35	
44	6.7	1.81	8.1	2.16	9.5	2.61	10.2	2.64	10.8	2.73	12.3	3.08	13.7	3.52	
47	6.3	2.40	7.8	2.88	9.2	2.74	9.8	2.69	10.5	2.90	11.9	3.31	13.2	3.78	
50	5.7	2.36	7.0	2.82	8.2	2.89	8.8	3.11	9.3	3.18	10.6	3.58	11.9	3.99	
52	4.4	1.99	5.2	2.38	6.1	2.46	6.6	2.64	7.1	2.79	8.4	3.15	9.7	3.47	

GMV5 DC Inverter VRF Units Technical Sales Guide

GMV-280WM/B-X

TC—Total capacity of outdoor unit; PI—Power input of outdoor unit

Combination	Outdoor air temp. (°CDB)	Indoor air temp.													
		14.0°CWB		16.0°CWB		18.0°CWB		19.0°CWB		20.0°CWB		22.0°CWB		24.0°CWB	
		20.0°CDB		23.0°CDB		26.0°CDB		27.0°CDB		28.0°CDB		30.0°CDB		32.0°CDB	
		TC	PI	TC	PI	TC	PI	TC	PI	TC	PI	TC	PI	TC	PI
135%	-5	20.6	3.10	25.3	3.77	30.0	3.82	31.3	3.84	31.7	3.86	32.6	3.90	33.5	3.94
	0	21.6	3.10	26.3	3.78	31.0	3.82	32.3	3.84	32.7	3.86	33.6	3.91	34.5	3.95
	4	22.6	3.11	27.3	3.79	32.0	3.84	33.3	3.86	33.7	3.88	34.6	3.93	35.5	3.97
	7	23.6	3.17	28.3	3.86	33.0	3.91	34.3	3.93	34.7	3.95	35.6	4.00	36.5	4.04
	10	24.6	3.23	29.3	3.95	34.0	4.69	35.3	4.80	35.7	4.70	36.6	4.50	37.5	4.30
	12	24.6	3.29	29.3	4.02	34.0	4.79	34.8	4.77	35.3	4.67	36.1	4.47	37.0	4.40
	14	24.6	3.35	29.3	4.10	33.9	4.84	34.4	4.75	34.8	4.64	35.7	4.61	36.6	4.65
	16	24.6	3.41	29.3	4.18	33.5	4.82	33.9	4.79	34.3	4.80	35.2	4.85	36.1	4.90
	18	24.6	3.47	29.3	4.27	33.0	5.00	33.4	5.03	33.9	5.06	34.8	5.11	35.7	5.15
	20	24.6	3.55	29.3	4.54	32.5	5.25	33.0	5.28	33.4	5.31	34.3	5.35	35.2	5.41
	21	24.6	3.64	29.3	4.70	32.3	5.37	32.8	5.40	33.2	5.43	34.1	5.48	35.0	5.53
	23	24.6	3.91	29.3	5.04	31.9	5.62	32.3	5.65	32.7	5.67	33.6	5.73	34.5	5.79
	25	24.6	4.17	29.3	5.40	31.4	5.86	31.9	5.89	32.3	5.93	33.2	5.98	34.1	6.04
	27	24.6	4.46	29.3	5.78	31.0	5.16	31.4	6.15	31.8	6.17	32.7	6.24	33.6	6.31
	29	24.6	4.76	29.3	6.17	30.5	6.35	30.9	6.39	31.4	6.43	32.3	6.49	33.2	6.56
	31	24.6	5.08	29.2	6.53	30.0	6.61	30.5	6.65	30.9	6.67	31.8	6.75	32.7	6.83
	33	24.6	5.41	28.7	6.78	29.6	6.84	30.0	6.89	30.5	6.93	31.4	7.00	32.2	7.09
	35	24.6	5.77	28.2	7.02	29.1	7.11	29.6	7.15	30.0	7.18	30.9	7.27	31.8	7.34
	37	24.6	6.14	27.8	7.28	28.7	7.36	29.1	7.40	29.6	7.45	30.4	7.53	31.3	7.62
	39	24.6	6.53	27.3	7.52	28.2	7.61	28.7	7.66	29.1	7.70	30.0	7.79	30.9	7.88
41	25.6	7.27	28.3	8.85	29.2	8.96	29.7	8.29	30.1	8.33	31.0	8.43	31.9	8.52	
44	26.6	7.90	29.3	9.62	30.2	9.95	30.7	9.36	31.1	8.98	32.0	8.87	32.9	8.96	
47	27.6	10.51	30.3	12.80	31.2	10.45	31.7	9.50	32.1	9.55	33.0	9.52	33.9	9.62	
50	28.6	10.32	31.3	12.57	32.2	11.02	32.7	11.00	33.1	10.49	34.0	10.32	34.9	10.14	
52	29.6	8.71	32.3	10.61	33.2	9.38	33.7	9.36	34.1	9.20	35.0	9.09	35.9	8.81	

Combination	Outdoor air temp. (°CDB)	Indoor air temp.													
		14.0°CWB		16.0°CWB		18.0°CWB		19.0°CWB		20.0°CWB		22.0°CWB		24.0°CWB	
		20.0°CDB		23.0°CDB		26.0°CDB		27.0°CDB		28.0°CDB		30.0°CDB		32.0°CDB	
		TC	PI	TC	PI	TC	PI	TC	PI	TC	PI	TC	PI	TC	PI
120%	-5	30.6	2.76	33.3	3.57	34.2	3.79	34.7	3.81	35.1	3.83	36.0	3.87	36.9	3.91
	0	31.6	2.76	34.3	3.58	35.2	3.80	35.7	3.82	36.1	3.84	37.0	3.88	37.9	3.92
	4	32.6	2.77	35.3	3.59	36.2	3.81	36.7	3.83	37.1	3.85	38.0	3.89	38.9	3.94
	7	33.6	2.82	36.3	3.66	37.2	3.88	37.7	3.90	38.1	3.93	39.0	3.97	39.9	4.01
	10	22.7	2.95	27.0	3.60	31.4	4.28	33.6	4.63	35.2	4.82	36.0	4.64	36.8	4.46
	12	22.7	3.00	27.0	3.66	31.4	4.36	33.6	4.71	34.7	4.80	35.5	4.62	36.3	4.43
	14	22.7	3.06	27.0	3.74	31.4	4.45	33.6	4.80	34.2	4.77	35.1	4.59	35.9	4.62
	16	22.7	3.12	27.0	3.81	31.4	4.53	33.4	4.84	33.8	4.78	34.6	4.82	35.4	4.86
	18	22.7	3.17	27.0	3.89	31.4	4.69	32.9	5.00	33.3	5.02	34.1	5.07	35.0	5.12
	20	22.7	3.24	27.0	4.04	31.4	5.04	32.5	5.25	32.9	5.27	33.7	5.31	34.5	5.36
	21	22.7	3.27	27.0	4.18	31.4	5.22	32.2	5.37	32.6	5.39	33.5	5.44	34.3	5.49
	23	22.7	3.49	27.0	4.48	31.4	5.59	31.8	5.61	32.2	5.64	33.0	5.69	33.8	5.74
	25	22.7	3.73	27.0	4.80	30.9	5.83	31.3	5.85	31.7	5.88	32.6	5.94	33.4	5.99
	27	22.7	3.98	27.0	5.13	30.5	6.07	30.9	6.11	31.3	6.14	32.1	6.19	32.9	6.25
	29	22.7	4.25	27.0	5.48	30.0	6.32	30.4	6.35	30.8	6.38	31.6	6.45	32.5	6.50
	31	22.7	4.53	27.0	5.84	29.6	6.57	30.0	6.60	30.4	6.64	31.2	6.70	32.0	6.77
	33	22.7	4.82	27.0	6.24	29.1	6.82	29.5	6.85	29.9	6.88	30.7	6.96	31.5	7.02
	35	22.7	5.14	27.0	6.65	28.6	7.06	29.0	7.10	29.5	7.14	30.3	7.21	31.1	7.29
	37	22.7	5.47	27.0	7.08	28.2	7.32	28.6	7.35	29.0	7.39	29.8	7.47	30.6	7.55
	39	22.7	5.82	26.9	7.48	27.7	7.56	28.1	7.61	28.5	7.65	29.4	7.73	30.2	7.81
41	23.7	6.47	27.9	8.37	28.7	8.90	29.1	8.23	29.5	8.28	30.4	8.37	31.2	8.45	
44	24.7	7.04	28.9	9.10	29.7	9.89	30.1	9.30	30.5	8.92	31.4	8.80	32.2	8.89	
47	25.7	9.36	29.9	12.12	30.7	10.38	31.1	9.44	31.5	9.49	32.4	9.45	33.2	9.55	
50	26.7	9.19	30.9	11.90	31.7	10.94	32.1	10.93	32.5	10.42	33.4	10.24	34.2	10.06	
52	27.7	7.75	31.9	10.04	32.7	9.32	33.1	9.30	33.5	9.13	34.4	9.02	35.2	8.75	

Combination	Outdoor air temp. (°CDB)	Indoor air temp.													
		14.0°CWB		16.0°CWB		18.0°CWB		19.0°CWB		20.0°CWB		22.0°CWB		24.0°CWB	
		20.0°CDB		23.0°CDB		26.0°CDB		27.0°CDB		28.0°CDB		30.0°CDB		32.0°CDB	
		TC	PI	TC	PI	TC	PI	TC	PI	TC	PI	TC	PI	TC	PI
		kW	kW	kW	kW	kW	kW	kW	kW	kW	kW	kW	kW	kW	kW
110%	-5	28.7	2.44	32.9	3.14	33.7	3.77	34.1	3.79	34.5	3.81	35.4	3.84	36.2	3.88
	0	29.7	2.44	33.9	3.14	34.7	3.77	35.1	3.79	35.5	3.81	36.4	3.85	37.2	3.89
	4	30.7	2.45	34.9	3.16	35.7	3.79	36.1	3.81	36.5	3.83	37.4	3.86	38.2	3.90
	7	31.7	2.50	35.9	3.21	36.7	3.86	37.1	3.88	37.5	3.90	38.4	3.94	39.2	3.97
	10	20.8	2.67	24.8	3.26	28.8	3.87	30.8	4.18	32.8	4.50	35.3	4.78	36.1	4.62
	12	20.8	2.73	24.8	3.32	28.8	3.95	30.8	4.27	32.8	4.59	34.9	4.76	35.6	4.59
	14	20.8	2.78	24.8	3.38	28.8	4.02	30.8	4.34	32.8	4.67	34.4	4.76	35.2	4.58
	16	20.8	2.82	24.8	3.45	28.8	4.10	30.8	4.43	32.8	4.77	34.0	4.79	34.7	4.83
	18	20.8	2.88	24.8	3.51	28.8	4.18	30.8	4.55	32.8	4.99	33.5	5.03	34.3	5.08
	20	20.8	2.94	24.8	3.59	28.8	4.43	30.8	4.89	32.3	5.24	33.1	5.28	33.8	5.32
	21	20.8	2.96	24.8	3.69	28.8	4.59	30.8	5.07	32.1	5.36	32.8	5.40	33.6	5.45
	23	20.8	3.11	24.8	3.96	28.8	4.92	30.8	5.44	31.6	5.60	32.4	5.65	33.1	5.70
	25	20.8	3.30	24.8	4.23	28.8	5.26	30.8	5.82	31.2	5.84	31.9	5.90	32.7	5.95
	27	20.8	3.53	24.8	4.52	28.8	5.63	30.3	6.07	30.7	6.09	31.5	6.15	32.2	6.20
	29	20.8	3.77	24.8	4.82	28.8	6.01	29.9	6.32	30.3	6.34	31.0	6.40	31.8	6.46
	31	20.8	4.01	24.8	5.14	28.8	6.42	29.4	6.56	29.8	6.59	30.6	6.65	31.3	6.71
	33	20.8	4.27	24.8	5.48	28.6	6.77	29.0	6.81	29.4	6.83	30.1	6.90	30.9	6.97
	35	20.8	4.54	24.8	5.84	28.2	7.01	28.5	7.05	28.9	7.09	29.6	7.16	30.4	7.22
	37	20.8	4.83	24.8	6.22	27.7	7.27	28.1	7.30	28.4	7.33	29.2	7.41	29.9	7.48
	39	20.8	5.14	24.8	6.63	27.2	7.51	27.6	7.55	28.0	7.59	28.7	7.67	29.5	7.74
41	21.8	5.72	25.8	7.36	28.2	8.84	28.6	8.18	29.0	8.22	29.7	8.30	30.5	8.38	
44	22.8	6.22	26.8	8.01	29.2	9.82	29.6	9.24	30.0	8.86	30.7	8.73	31.5	8.81	
47	23.8	8.28	27.8	10.65	30.2	10.31	30.6	9.38	31.0	9.43	31.7	9.37	32.5	9.46	
50	24.8	8.13	28.8	10.46	31.2	10.87	31.6	10.86	32.0	10.35	32.7	10.16	33.5	9.97	
52	25.8	6.86	29.8	8.82	32.2	9.26	32.6	9.24	33.0	9.07	33.7	8.94	34.5	8.67	

Combination	Outdoor air temp. (°CDB)	Indoor air temp.													
		14.0°CWB		16.0°CWB		18.0°CWB		19.0°CWB		20.0°CWB		22.0°CWB		24.0°CWB	
		20.0°CDB		23.0°CDB		26.0°CDB		27.0°CDB		28.0°CDB		30.0°CDB		32.0°CDB	
		TC	PI	TC	PI	TC	PI	TC	PI	TC	PI	TC	PI	TC	PI
		kW	kW	kW	kW	kW	kW	kW	kW	kW	kW	kW	kW	kW	kW
100%	-5	26.8	2.13	30.8	2.73	33.2	3.40	33.6	3.76	34.0	3.78	34.7	3.81	35.5	3.85
	0	27.8	2.14	31.8	2.74	34.2	3.41	34.6	3.77	35.0	3.79	35.7	3.82	36.5	3.86
	4	28.8	2.14	32.8	2.75	35.2	3.42	35.6	3.78	36.0	3.80	36.7	3.84	37.5	3.87
	7	29.8	2.18	33.8	2.80	36.2	3.49	36.6	3.85	37.0	3.87	37.7	3.91	38.5	3.94
	10	18.9	2.42	22.5	2.94	26.2	3.47	28.0	3.75	29.8	4.05	33.5	4.58	35.4	4.76
	12	18.9	2.45	22.5	2.97	26.2	3.52	28.0	3.80	29.8	4.13	33.5	4.66	34.9	4.72
	14	18.9	2.49	22.5	3.03	26.2	3.58	28.0	3.87	29.8	4.20	33.5	4.74	34.5	4.69
	16	18.9	2.55	22.5	3.09	26.2	3.66	28.0	3.96	29.8	4.30	33.4	4.85	34.0	4.79
	18	18.9	2.60	22.5	3.16	26.2	3.73	28.0	4.03	29.8	4.38	32.9	4.94	33.6	5.02
	20	18.9	2.64	22.5	3.21	26.2	3.85	28.0	4.24	29.8	4.66	32.4	5.20	33.1	5.28
	21	18.9	2.67	22.5	3.24	26.2	3.99	28.0	4.39	29.8	4.82	32.2	5.38	32.9	5.43
	23	18.9	2.74	22.5	3.47	26.2	4.29	28.0	4.72	29.8	5.18	31.8	5.69	32.4	5.75
	25	18.9	2.91	22.5	3.69	26.2	4.56	28.0	5.02	29.8	5.54	31.3	5.90	32.0	5.95
	27	18.9	3.11	22.5	3.94	26.2	4.89	28.0	5.39	29.8	5.95	30.8	6.11	31.5	6.16
	29	18.9	3.30	22.5	4.21	26.2	5.23	28.0	5.76	29.7	6.30	30.4	6.40	31.1	6.46
	31	18.9	3.51	22.5	4.48	26.2	5.58	28.0	6.21	29.3	6.56	29.7	6.66	30.6	6.72
	33	18.9	3.73	22.5	4.77	26.2	5.95	28.0	6.57	28.8	6.79	29.5	6.85	30.2	6.92
	35	18.9	3.97	22.5	5.08	26.2	6.34	28.0	7.00	28.3	7.04	29.0	7.10	29.7	7.17
	37	18.9	4.23	22.5	5.41	26.2	6.75	27.5	7.26	27.9	7.29	28.6	7.34	29.3	7.41
	39	18.9	4.50	22.5	5.77	26.2	7.19	27.1	7.50	27.3	7.53	28.2	7.59	28.6	7.65
41	18.9	5.00	22.5	6.41	26.2	7.99	26.6	8.13	26.8	8.17	27.7	8.24	28.0	8.31	
44	18.9	5.44	22.5	6.96	26.2	8.87	26.3	9.18	26.4	8.80	27.3	8.67	27.7	8.74	
47	18.9	7.24	22.5	9.27	26.2	9.32	25.8	9.32	25.9	9.36	26.8	9.30	27.2	9.39	
50	18.9	7.11	22.5	9.10	26.2	9.83	25.5	10.79	25.6	10.28	26.5	10.09	26.8	9.89	
52	18.9	6.00	22.5	7.68	26.2	8.37	25.0	9.18	25.1	9.01	26.0	8.88	26.3	8.60	

GMV5 DC Inverter VRF Units Technical Sales Guide

Combination	Outdoor air temp. (°CDB)	Indoor air temp.													
		14.0°CWB		16.0°CWB		18.0°CWB		19.0°CWB		20.0°CWB		22.0°CWB		24.0°CWB	
		20.0°CDB		23.0°CDB		26.0°CDB		27.0°CDB		28.0°CDB		30.0°CDB		32.0°CDB	
		TC	PI	TC	PI	TC	PI	TC	PI	TC	PI	TC	PI	TC	PI
		kW	kW	kW	kW	kW	kW	kW	kW	kW	kW	kW	kW	kW	kW
90%	-5	18.9	1.86	22.5	2.35	26.2	2.91	24.7	3.21	24.8	3.53	25.6	3.78	26.0	3.81
	0	18.9	1.86	22.5	2.36	26.2	2.91	24.2	3.22	24.4	3.54	25.2	3.79	25.5	3.82
	4	18.9	1.87	22.5	2.37	26.2	2.92	23.9	3.23	24.0	3.55	24.8	3.80	25.2	3.84
	7	18.9	1.91	22.5	2.41	26.2	2.98	23.5	3.29	23.6	3.62	24.4	3.87	24.7	3.91
	10	17.0	2.11	20.2	2.53	23.6	2.97	25.2	3.34	26.8	3.56	30.1	4.08	33.4	4.62
	12	17.0	2.14	20.2	2.57	23.6	3.00	25.2	3.38	26.8	3.63	30.1	4.15	33.4	4.68
	14	17.0	2.17	20.2	2.61	23.6	3.06	25.2	3.44	26.8	3.69	30.1	4.22	33.4	4.75
	16	17.0	2.22	20.2	2.67	23.6	3.13	25.2	3.51	26.8	3.77	30.1	4.31	33.3	4.85
	18	17.0	2.27	20.2	2.73	23.6	3.19	25.2	3.58	26.8	3.84	30.1	4.41	33.0	5.02
	20	17.0	2.31	20.2	2.77	23.6	3.29	25.2	3.65	26.8	4.00	30.1	4.74	32.4	5.23
	21	17.0	2.33	20.2	2.80	23.6	3.40	25.2	3.78	26.8	4.14	30.1	4.90	32.2	5.35
	23	17.0	2.39	20.2	2.99	23.6	3.66	25.2	4.06	26.8	4.43	30.1	5.27	31.7	5.62
	25	17.0	2.54	20.2	3.18	23.6	3.89	25.2	4.33	26.8	4.74	30.1	5.63	31.3	5.85
	27	17.0	2.72	20.2	3.40	23.6	4.18	25.2	4.63	26.8	5.08	30.1	6.01	30.8	6.11
	29	17.0	2.88	20.2	3.63	23.6	4.47	25.2	4.94	26.8	5.42	29.8	6.30	30.4	6.36
	31	17.0	3.06	20.2	3.87	23.6	4.76	25.2	5.27	26.8	5.78	29.3	6.53	29.9	6.62
	33	17.0	3.26	20.2	4.12	23.6	5.08	25.2	5.61	26.8	6.15	28.9	6.79	29.5	6.86
	35	17.0	3.46	20.2	4.38	23.6	5.41	25.2	5.98	26.8	6.58	28.4	7.04	29.0	7.10
	37	17.0	3.69	20.2	4.67	23.6	5.77	24.7	6.20	26.8	7.04	27.9	7.29	28.6	7.27
	39	17.0	3.93	20.2	4.97	23.6	6.14	24.4	6.40	26.8	7.46	27.5	7.56	28.1	7.54
41	17.0	4.36	20.2	5.53	23.6	6.82	24.0	6.94	26.8	7.63	28.5	8.17	29.1	8.24	
44	17.0	4.75	20.2	6.01	23.6	7.58	23.6	7.84	26.8	8.23	29.5	8.59	30.1	8.67	
47	17.0	6.32	20.2	7.99	23.6	7.96	23.2	7.96	26.8	8.75	30.5	9.22	31.1	9.31	
50	17.0	6.20	20.2	7.85	23.6	8.39	22.9	9.21	26.8	9.61	31.5	10.00	32.1	9.80	
52	17.0	5.23	20.2	6.62	23.6	7.15	22.5	7.84	26.8	8.42	32.5	8.80	33.1	8.52	

Combination	Outdoor air temp. (°CDB)	Indoor air temp.													
		14.0°CWB		16.0°CWB		18.0°CWB		19.0°CWB		20.0°CWB		22.0°CWB		24.0°CWB	
		20.0°CDB		23.0°CDB		26.0°CDB		27.0°CDB		28.0°CDB		30.0°CDB		32.0°CDB	
		TC	PI	TC	PI	TC	PI	TC	PI	TC	PI	TC	PI	TC	PI
		kW	kW	kW	kW	kW	kW	kW	kW	kW	kW	kW	kW	kW	
80%	-5	17.0	1.61	20.2	1.98	23.6	2.46	22.2	2.71	26.8	2.96	33.5	3.52	34.1	3.77
	0	17.0	1.61	20.2	1.99	23.6	2.47	21.8	2.72	26.8	2.97	34.5	3.53	35.1	3.78
	4	17.0	1.62	20.2	1.99	23.6	2.48	21.5	2.73	26.8	2.98	35.5	3.54	36.1	3.79
	7	17.0	1.65	20.2	2.03	23.6	2.52	21.1	2.78	26.8	3.04	36.5	3.60	37.1	3.86
	10	15.1	1.92	18.0	2.29	21.0	2.70	22.4	2.91	23.8	3.11	26.8	3.56	29.7	4.13
	12	15.1	1.94	18.0	2.33	21.0	2.75	22.4	2.96	23.8	3.17	26.8	3.62	29.7	4.10
	14	15.1	1.98	18.0	2.38	21.0	2.79	22.4	3.01	23.8	3.23	26.8	3.68	29.7	4.19
	16	15.1	2.01	18.0	2.42	21.0	2.85	22.4	3.07	23.8	3.28	26.8	3.76	29.7	4.34
	18	15.1	2.05	18.0	2.46	21.0	2.92	22.4	3.13	23.8	3.34	26.8	3.85	29.7	4.64
	20	15.1	2.09	18.0	2.51	21.0	2.96	22.4	3.19	23.8	3.42	26.8	3.99	29.7	4.81
	21	15.1	2.11	18.0	2.53	21.0	2.99	22.4	3.23	23.8	3.50	26.8	4.13	29.7	5.15
	23	15.1	2.14	18.0	2.59	21.0	3.13	22.4	3.44	23.8	3.74	26.8	4.42	29.7	5.51
	25	15.1	2.21	18.0	2.75	21.0	3.35	22.4	3.67	23.8	3.99	26.8	4.73	29.7	5.88
	27	15.1	2.35	18.0	2.93	21.0	3.57	22.4	3.92	23.8	4.28	26.8	5.05	29.7	6.09
	29	15.1	2.50	18.0	3.12	21.0	3.80	22.4	4.17	23.8	4.57	26.8	5.39	29.7	6.31
	31	15.1	2.65	18.0	3.31	21.0	4.05	22.4	4.45	23.8	4.87	26.8	5.75	29.2	6.54
	33	15.1	2.82	18.0	3.69	21.0	4.31	22.4	4.74	23.8	5.18	26.8	6.14	28.8	6.77
	35	15.1	2.99	18.0	3.69	21.0	4.59	22.4	5.05	23.8	5.52	26.8	6.55	28.3	7.02
	37	15.1	3.17	18.0	3.97	21.0	4.88	22.0	5.38	23.8	5.88	26.8	6.98	27.9	7.28
	39	15.1	3.36	18.0	4.22	21.0	5.19	21.7	5.73	23.8	6.26	26.8	7.43	27.4	7.55
41	15.1	3.77	18.0	4.65	21.0	5.78	21.3	5.86	23.8	6.40	26.8	7.60	28.4	8.14	
44	15.1	4.10	18.0	5.06	21.0	6.42	21.0	6.62	23.8	6.90	26.8	7.99	29.4	8.56	
47	15.1	5.46	18.0	6.73	21.0	6.74	20.6	6.72	23.8	7.34	26.8	8.58	30.4	9.20	
50	15.1	5.36	18.0	6.61	21.0	7.11	20.4	7.78	23.8	8.06	26.8	9.30	31.4	9.69	
52	15.1	4.52	18.0	5.57	21.0	6.06	20.0	6.62	23.8	7.07	26.8	8.19	32.4	8.42	

Combination	Outdoor air temp. (°CDB)	Indoor air temp.													
		14.0°CWB		16.0°CWB		18.0°CWB		19.0°CWB		20.0°CWB		22.0°CWB		24.0°CWB	
		20.0°CDB		23.0°CDB		26.0°CDB		27.0°CDB		28.0°CDB		30.0°CDB		32.0°CDB	
		TC	PI	TC	PI	TC	PI	TC	PI	TC	PI	TC	PI	TC	PI
		kW	kW	kW	kW	kW	kW	kW	kW	kW	kW	kW	kW	kW	kW
70%	-5	15.1	1.37	18.0	1.69	21.0	2.05	19.7	2.25	23.8	2.45	26.8	2.89	33.4	3.36
	0	15.1	1.37	18.0	1.70	21.0	2.06	19.4	2.25	23.8	2.46	26.8	2.89	34.4	3.37
	4	15.1	1.38	18.0	1.70	21.0	2.06	19.1	2.26	23.8	2.47	26.8	2.91	35.4	3.38
	7	15.1	1.40	18.0	1.73	21.0	2.10	18.8	2.31	23.8	2.51	26.8	2.96	36.4	3.44
	10	13.2	1.69	15.7	2.00	18.3	2.33	19.6	2.51	20.9	2.69	23.4	3.06	26.0	3.44
	12	13.2	1.71	15.7	2.03	18.3	2.38	19.6	2.56	20.9	2.74	23.4	3.12	26.0	3.50
	14	13.2	1.74	15.7	2.07	18.3	2.42	19.6	2.60	20.9	2.78	23.4	3.17	26.0	3.57
	16	13.2	1.77	15.7	2.11	18.3	2.46	19.6	2.65	20.9	2.84	23.4	3.23	26.0	3.63
	18	13.2	1.79	15.7	2.14	18.3	2.51	19.6	2.70	20.9	2.89	23.4	3.29	26.0	3.71
	20	13.2	1.82	15.7	2.18	18.3	2.56	19.6	2.75	20.9	2.95	23.4	3.36	26.0	3.81
	21	13.2	1.84	15.7	2.20	18.3	2.58	19.6	2.78	20.9	2.97	23.4	3.40	26.0	3.95
	23	13.2	1.87	15.7	2.24	18.3	2.63	19.6	2.87	20.9	3.12	23.4	3.65	26.0	4.23
	25	13.2	1.91	15.7	2.33	18.3	2.80	19.6	3.07	20.9	3.33	23.4	3.91	26.0	4.52
	27	13.2	2.02	15.7	2.48	18.3	2.99	19.6	3.27	20.9	3.56	23.4	4.17	26.0	4.83
	29	13.2	2.14	15.7	2.63	18.3	3.18	19.6	3.48	20.9	3.79	23.4	4.45	26.0	5.16
	31	13.2	2.27	15.7	2.79	18.3	3.39	19.6	3.70	20.9	4.03	23.4	4.74	26.0	5.50
	33	13.2	2.41	15.7	2.97	18.3	3.61	19.6	3.94	20.9	4.30	23.4	5.05	26.0	5.87
	35	13.2	2.55	15.7	3.15	18.3	3.82	19.6	4.19	20.9	4.57	23.4	5.38	26.0	6.26
	37	13.2	2.69	15.7	3.34	18.3	4.07	19.2	4.46	20.9	4.86	23.4	5.73	26.0	6.66
	39	13.2	2.85	15.7	3.54	18.3	4.31	19.0	4.73	20.9	5.16	23.4	6.09	26.0	7.10
41	13.2	3.21	15.7	3.97	18.3	4.82	18.6	4.86	20.9	5.30	23.4	6.24	26.0	7.26	
44	13.2	3.49	15.7	4.32	18.3	5.35	18.4	5.49	20.9	5.71	23.4	6.56	26.0	7.64	
47	13.2	4.65	15.7	5.75	18.3	5.62	18.1	5.57	20.9	6.08	23.4	7.05	26.0	8.20	
50	13.2	4.56	15.7	5.64	18.3	5.93	17.8	6.45	20.9	6.67	23.4	7.64	26.0	8.64	
52	13.2	3.85	15.7	4.76	18.3	5.05	17.5	5.49	20.9	5.85	23.4	6.73	26.0	7.51	

Combination	Outdoor air temp. (°CDB)	Indoor air temp.													
		14.0°CWB		16.0°CWB		18.0°CWB		19.0°CWB		20.0°CWB		22.0°CWB		24.0°CWB	
		20.0°CDB		23.0°CDB		26.0°CDB		27.0°CDB		28.0°CDB		30.0°CDB		32.0°CDB	
		TC	PI	TC	PI	TC	PI	TC	PI	TC	PI	TC	PI	TC	PI
		kW	kW	kW	kW	kW	kW	kW	kW	kW	kW	kW	kW	kW	kW
60%	-5	13.2	1.15	15.7	1.40	18.3	1.68	17.3	1.84	20.9	1.99	23.4	2.33	26.0	2.69
	0	13.2	1.15	15.7	1.41	18.3	1.69	17.0	1.84	20.9	2.00	23.4	2.33	26.0	2.69
	4	13.2	1.16	15.7	1.41	18.3	1.69	16.7	1.85	20.9	2.00	23.4	2.34	26.0	2.70
	7	13.2	1.18	15.7	1.44	18.3	1.72	16.4	1.88	20.9	2.04	23.4	2.38	26.0	2.75
	10	11.3	1.46	13.5	1.72	15.7	1.99	16.8	2.13	17.9	2.28	20.1	2.58	22.3	2.89
	12	11.3	1.49	13.5	1.75	15.7	2.03	16.8	2.17	17.9	2.31	20.1	2.62	22.3	2.94
	14	11.3	1.51	13.5	1.77	15.7	2.06	16.8	2.21	17.9	2.36	20.1	2.67	22.3	2.99
	16	11.3	1.53	13.5	1.80	15.7	2.10	16.8	2.25	17.9	2.40	20.1	2.72	22.3	3.05
	18	11.3	1.56	13.5	1.83	15.7	2.13	16.8	2.28	17.9	2.44	20.1	2.77	22.3	3.11
	20	11.3	1.58	13.5	1.87	15.7	2.17	16.8	2.33	17.9	2.49	20.1	2.82	22.3	3.17
	21	11.3	1.60	13.5	1.88	15.7	2.19	16.8	2.35	17.9	2.51	20.1	2.85	22.3	3.20
	23	11.3	1.61	13.5	1.92	15.7	2.23	16.8	2.40	17.9	2.56	20.1	2.96	22.3	3.41
	25	11.3	1.64	13.5	1.95	15.7	2.31	16.8	2.51	17.9	2.72	20.1	3.16	22.3	3.63
	27	11.3	1.71	13.5	2.07	15.7	2.46	16.8	2.68	17.9	2.90	20.1	3.37	22.3	3.88
	29	11.3	1.80	13.5	2.19	15.7	2.62	16.8	2.85	17.9	3.09	20.1	3.60	22.3	4.14
	31	11.3	1.92	13.5	2.33	15.7	2.78	16.8	3.03	17.9	3.29	20.1	3.82	22.3	4.41
	33	11.3	2.02	13.5	2.46	15.7	2.95	16.8	3.22	17.9	3.49	20.1	4.07	22.3	4.70
	35	11.3	2.14	13.5	2.61	15.7	3.13	16.8	3.42	17.9	3.71	20.1	4.33	22.3	5.00
	37	11.3	2.27	13.5	2.77	15.7	3.32	16.5	3.62	17.9	3.94	20.1	4.61	22.3	5.32
	39	11.3	2.39	13.5	2.93	15.7	3.52	16.3	3.84	17.9	4.18	20.1	4.89	22.3	5.66
41	11.3	2.70	13.5	3.29	15.7	3.95	16.0	3.96	17.9	4.30	20.1	5.03	22.3	5.80	
44	11.3	2.94	13.5	3.58	15.7	4.39	15.8	4.48	17.9	4.64	20.1	5.29	22.3	6.10	
47	11.3	3.91	13.5	4.77	15.7	4.61	15.5	4.54	17.9	4.93	20.1	5.68	22.3	6.55	
50	11.3	3.84	13.5	4.68	15.7	4.86	15.3	5.26	17.9	5.42	20.1	6.15	22.3	6.90	
52	11.3	3.24	13.5	3.95	15.7	4.14	15.0	4.48	17.9	4.75	20.1	5.42	22.3	6.00	

GMV5 DC Inverter VRF Units Technical Sales Guide

Combination	Outdoor air temp. (°CDB)	Indoor air temp.													
		14.0°CWB		16.0°CWB		18.0°CWB		19.0°CWB		20.0°CWB		22.0°CWB		24.0°CWB	
		20.0°CDB		23.0°CDB		26.0°CDB		27.0°CDB		28.0°CDB		30.0°CDB		32.0°CDB	
		TC	PI	TC	PI	TC	PI	TC	PI	TC	PI	TC	PI	TC	PI
		kW	kW	kW	kW	kW	kW	kW	kW	kW	kW	kW	kW	kW	
50%	-5	11.3	0.95	13.5	1.14	15.7	1.35	14.8	1.46	17.9	1.58	20.1	1.82	22.3	2.09
	0	11.3	0.95	13.5	1.14	15.7	1.35	14.5	1.46	17.9	1.58	20.1	1.83	22.3	2.09
	4	11.3	0.96	13.5	1.15	15.7	1.36	14.3	1.47	17.9	1.59	20.1	1.84	22.3	2.10
	7	11.3	0.98	13.5	1.17	15.7	1.38	14.1	1.50	17.9	1.61	20.1	1.87	22.3	2.14
	10	9.5	1.26	11.2	1.46	13.1	1.67	14.0	1.78	14.9	1.89	16.7	2.12	18.6	2.37
	12	9.5	1.27	11.2	1.48	13.1	1.70	14.0	1.80	14.9	1.93	16.7	2.16	18.6	2.41
	14	9.5	1.29	11.2	1.50	13.1	1.72	14.0	1.84	14.9	1.95	16.7	2.20	18.6	2.45
	16	9.5	1.31	11.2	1.52	13.1	1.75	14.0	1.87	14.9	1.98	16.7	2.24	18.6	2.49
	18	9.5	1.33	11.2	1.55	13.1	1.77	14.0	1.90	14.9	2.02	16.7	2.28	18.6	2.54
	20	9.5	1.35	11.2	1.57	13.1	1.80	14.0	1.94	14.9	2.06	16.7	2.32	18.6	2.59
	21	9.5	1.36	11.2	1.59	13.1	1.82	14.0	1.94	14.9	2.08	16.7	2.34	18.6	2.61
	23	9.5	1.38	11.2	1.60	13.1	1.85	14.0	1.98	14.9	2.11	16.7	2.38	18.6	2.67
	25	9.5	1.40	11.2	1.63	13.1	1.89	14.0	2.02	14.9	2.18	16.7	2.50	18.6	2.85
	27	9.5	1.43	11.2	1.70	13.1	1.99	14.0	2.15	14.9	2.31	16.7	2.66	18.6	3.04
	29	9.5	1.50	11.2	1.79	13.1	2.11	14.0	2.28	14.8	2.46	16.7	2.83	18.6	3.24
	31	9.5	1.59	11.2	1.90	13.1	2.26	14.0	2.43	14.8	2.61	16.7	3.01	18.6	3.45
	33	9.5	1.68	11.2	2.01	13.1	2.38	14.0	2.57	14.8	2.78	16.7	3.20	18.6	3.66
	35	9.5	1.77	11.2	2.12	13.1	2.51	14.0	2.72	14.8	2.94	16.7	3.40	18.6	3.89
	37	9.5	1.87	11.2	2.25	13.1	2.66	13.7	2.88	14.8	3.12	16.7	3.61	18.6	4.13
	39	9.5	1.97	11.2	2.37	13.1	2.81	13.6	3.05	14.8	3.30	16.7	3.82	18.6	4.39
41	9.5	2.24	11.2	2.68	13.1	3.16	13.3	3.15	14.8	3.41	16.7	3.94	18.6	4.51	
44	9.5	2.43	11.2	2.91	13.1	3.52	13.1	3.56	14.8	3.67	16.7	4.15	18.6	4.74	
47	9.5	3.24	11.2	3.87	13.1	3.69	12.9	3.62	14.8	3.90	16.7	4.45	18.6	5.09	
50	9.5	3.18	11.2	3.80	13.1	3.89	12.7	4.19	14.8	4.29	16.7	4.83	18.6	5.37	
52	9.5	2.68	11.2	3.21	13.1	3.31	12.5	3.56	14.8	3.76	16.7	4.25	18.6	4.67	

GMV-335WM/B-X

TC—Total capacity of outdoor unit; PI—Power input of outdoor unit

Combination	Outdoor air temp. (°CDB)	Indoor air temp.													
		14.0°CWB		16.0°CWB		18.0°CWB		19.0°CWB		20.0°CWB		22.0°CWB		24.0°CWB	
		20.0°CDB		23.0°CDB		26.0°CDB		27.0°CDB		28.0°CDB		30.0°CDB		32.0°CDB	
		TC	PI	TC	PI	TC	PI	TC	PI	TC	PI	TC	PI	TC	PI
		kW	kW	kW	kW	kW	kW	kW	kW	kW	kW	kW	kW	kW	
135%	-5	29.4	3.72	35.1	4.53	40.7	4.58	42.2	4.61	43.1	4.63	44.1	4.68	45.5	4.73
	0	29.4	3.72	35.1	4.54	40.7	4.59	42.2	4.61	43.1	4.64	44.1	4.69	45.5	4.74
	4	29.4	3.74	35.1	4.55	40.7	4.61	42.2	4.63	43.1	4.66	44.1	4.71	45.5	4.76
	7	29.4	3.81	35.1	4.64	40.7	4.69	42.2	4.72	43.1	4.74	43.8	4.80	44.9	4.85
	10	29.4	3.87	35.1	4.74	40.7	5.63	42.2	5.76	42.7	5.64	43.8	5.40	44.9	5.16
	12	29.4	3.94	35.1	4.83	40.7	5.74	41.6	5.72	42.2	5.61	43.2	5.36	44.3	5.28
	14	29.4	4.02	35.1	4.92	40.6	5.81	41.2	5.70	41.6	5.57	42.7	5.53	43.8	5.59
	16	29.4	4.09	35.1	5.02	40.1	5.79	40.6	5.74	41.0	5.77	42.1	5.82	43.2	5.88
	18	29.4	4.17	35.1	5.12	39.5	6.00	40.0	6.04	40.6	6.07	41.6	6.13	42.7	6.19
	20	29.4	4.26	35.1	5.45	38.9	6.30	39.5	6.33	40.0	6.37	41.0	6.42	42.1	6.49
	21	29.4	4.37	35.1	5.64	38.6	6.45	39.2	6.48	39.7	6.51	40.8	6.58	41.9	6.64
	23	29.4	4.69	35.1	6.05	38.2	6.74	38.6	6.78	39.1	6.81	40.2	6.88	41.3	6.95
	25	29.4	5.01	35.1	6.48	37.6	7.04	38.2	7.07	38.6	7.12	39.7	7.18	40.8	7.25
	27	29.4	5.35	35.1	6.93	37.1	6.20	37.6	7.38	38.0	7.41	39.1	7.49	40.2	7.57
	29	29.4	5.71	35.1	7.41	36.5	7.63	37.0	7.67	37.6	7.72	38.6	7.80	39.7	7.87
	31	29.4	6.10	34.9	7.84	35.9	7.93	36.5	7.98	37.0	8.01	38.0	8.10	39.1	8.19
	33	29.4	6.49	34.3	8.13	35.4	8.21	35.9	8.27	36.5	8.32	37.6	8.41	38.5	8.51
	35	29.4	6.92	33.7	8.43	34.8	8.53	35.4	8.58	35.9	8.62	37.0	8.72	38.0	8.81
	37	29.4	7.36	33.3	8.74	34.3	8.84	34.8	8.88	35.4	8.94	36.4	9.04	37.4	9.14
	39	29.4	7.84	32.7	9.03	33.7	9.13	34.3	9.19	34.8	9.25	35.9	9.35	37.0	9.46
41	27.8	8.72	32.1	10.62	33.1	10.75	33.7	9.95	34.1	10.00	35.2	10.12	36.3	10.23	
44	25.9	9.48	30.4	11.55	31.5	11.94	32.2	11.24	32.8	10.78	33.9	10.64	35.0	10.75	
47	24.4	12.62	29.4	15.37	30.5	12.54	31.1	11.41	31.6	11.47	32.7	11.43	33.9	11.55	
50	22.4	12.39	26.3	15.09	27.2	13.22	27.7	13.21	28.2	12.59	29.2	12.39	30.4	12.16	
52	17.0	10.45	19.6	12.73	20.4	11.26	20.9	11.24	21.5	11.04	23.3	10.91	24.7	10.58	

Combination	Outdoor air temp. (°CDB)	Indoor air temp.													
		14.0°CWB		16.0°CWB		18.0°CWB		19.0°CWB		20.0°CWB		22.0°CWB		24.0°CWB	
		20.0°CDB		23.0°CDB		26.0°CDB		27.0°CDB		28.0°CDB		30.0°CDB		32.0°CDB	
		TC	PI	TC	PI	TC	PI	TC	PI	TC	PI	TC	PI	TC	PI
		kW	kW	kW	kW	kW	kW	kW	kW	kW	kW	kW	kW	kW	
120%	-5	27.2	3.31	33.6	4.28	40.0	4.55	41.4	4.58	42.4	4.60	43.3	4.65	44.5	4.70
	0	27.2	3.32	33.6	4.29	40.0	4.56	41.4	4.58	42.4	4.61	43.3	4.66	44.5	4.71
	4	27.2	3.33	33.6	4.31	40.0	4.58	41.4	4.60	42.4	4.63	43.3	4.67	44.5	4.72
	7	27.2	3.39	33.6	4.39	40.0	4.66	41.4	4.69	42.4	4.71	42.9	4.76	43.9	4.81
	10	27.2	3.53	32.3	4.32	37.6	5.13	40.2	5.55	42.1	5.79	43.1	5.56	44.0	5.35
	12	27.2	3.60	32.3	4.40	37.6	5.23	40.2	5.65	41.5	5.76	42.5	5.54	43.4	5.31
	14	27.2	3.67	32.3	4.49	37.6	5.34	40.2	5.77	40.9	5.72	42.0	5.51	43.0	5.54
	16	27.2	3.74	32.3	4.58	37.6	5.44	40.0	5.81	40.4	5.73	41.4	5.79	42.4	5.83
	18	27.2	3.81	32.3	4.67	37.6	5.63	39.4	6.00	39.8	6.03	40.8	6.08	41.9	6.14
	20	27.2	3.89	32.3	4.85	37.6	6.05	38.9	6.30	39.4	6.32	40.3	6.38	41.3	6.44
	21	27.2	3.92	32.3	5.02	37.6	6.27	38.5	6.45	39.0	6.47	40.1	6.53	41.0	6.59
	23	27.2	4.19	32.3	5.38	37.6	6.71	38.0	6.73	38.5	6.76	39.5	6.83	40.4	6.89
	25	27.2	4.48	32.3	5.76	37.0	7.00	37.4	7.02	37.9	7.06	39.0	7.13	40.0	7.19
	27	27.2	4.78	32.3	6.15	36.5	7.29	37.0	7.33	37.4	7.36	38.4	7.43	39.4	7.50
	29	27.2	5.10	32.3	6.57	35.9	7.58	36.4	7.63	36.8	7.66	37.8	7.74	38.9	7.81
	31	27.2	5.44	32.3	7.01	35.4	7.89	35.9	7.92	36.4	7.96	37.3	8.04	38.3	8.12
	33	27.2	5.79	32.3	7.49	34.8	8.18	35.3	8.23	35.8	8.26	36.7	8.35	37.7	8.43
	35	27.2	6.16	32.3	7.98	34.2	8.47	34.7	8.52	35.3	8.57	36.3	8.66	37.2	8.75
	37	27.2	6.56	32.3	8.50	33.7	8.78	34.2	8.83	34.7	8.87	35.7	8.96	36.6	9.06
	39	27.2	6.98	32.2	8.97	33.1	9.08	33.6	9.13	34.1	9.18	35.2	9.28	36.1	9.37
41	25.7	7.77	30.7	10.05	32.5	10.68	33.0	9.88	33.6	9.94	34.5	10.04	35.5	10.15	
44	23.9	8.44	29.1	10.93	31.0	11.86	31.6	11.16	32.2	10.71	33.2	10.56	34.2	10.67	
47	22.5	11.24	28.1	14.54	29.9	12.46	30.5	11.33	31.1	11.39	32.1	11.34	33.1	11.46	
50	20.6	11.03	25.2	14.28	26.7	13.14	27.2	13.12	27.7	12.51	28.6	12.29	29.8	12.07	
52	15.6	9.31	18.7	12.04	20.0	11.19	20.5	11.16	21.2	10.96	22.8	10.82	24.2	10.50	

Combination	Outdoor air temp. (°CDB)	Indoor air temp.													
		14.0°CWB		16.0°CWB		18.0°CWB		19.0°CWB		20.0°CWB		22.0°CWB		24.0°CWB	
		20.0°CDB		23.0°CDB		26.0°CDB		27.0°CDB		28.0°CDB		30.0°CDB		32.0°CDB	
		TC	PI	TC	PI	TC	PI	TC	PI	TC	PI	TC	PI	TC	PI
		kW	kW	kW	kW	kW	kW	kW	kW	kW	kW	kW	kW	kW	
110%	-5	24.9	2.93	30.8	3.77	39.4	4.52	40.7	4.54	41.5	4.57	42.3	4.61	43.5	4.65
	0	24.9	2.93	30.8	3.77	39.4	4.53	40.7	4.55	41.5	4.58	42.3	4.62	43.5	4.66
	4	24.9	2.94	30.8	3.79	39.4	4.55	40.7	4.57	41.5	4.59	42.3	4.64	43.5	4.68
	7	24.9	3.00	30.8	3.86	39.4	4.63	40.7	4.65	41.5	4.68	41.9	4.72	42.9	4.77
	10	24.9	3.21	29.7	3.91	34.5	4.65	36.8	5.02	39.2	5.40	42.2	5.73	43.2	5.54
	12	24.9	3.27	29.7	3.99	34.5	4.74	36.8	5.12	39.2	5.51	41.8	5.71	42.6	5.51
	14	24.9	3.33	29.7	4.06	34.5	4.83	36.8	5.21	39.2	5.61	41.2	5.71	42.1	5.50
	16	24.9	3.39	29.7	4.14	34.5	4.92	36.8	5.31	39.2	5.72	40.7	5.74	41.5	5.80
	18	24.9	3.46	29.7	4.21	34.5	5.02	36.8	5.46	39.2	5.99	40.1	6.04	41.0	6.10
	20	24.9	3.52	29.7	4.31	34.5	5.31	36.8	5.87	38.6	6.29	39.6	6.33	40.4	6.39
	21	24.9	3.56	29.7	4.43	34.5	5.51	36.8	6.08	38.4	6.44	39.2	6.48	40.2	6.54
	23	24.9	3.73	29.7	4.75	34.5	5.90	36.8	6.53	37.8	6.72	38.8	6.79	39.6	6.84
	25	24.9	3.97	29.7	5.08	34.5	6.31	36.8	6.99	37.3	7.01	38.2	7.08	39.1	7.14
	27	24.9	4.24	29.7	5.43	34.5	6.75	36.3	7.29	36.7	7.31	37.7	7.38	38.5	7.44
	29	24.9	4.52	29.7	5.79	34.5	7.22	35.8	7.58	36.3	7.61	37.1	7.68	38.0	7.75
	31	24.9	4.82	29.7	6.17	34.5	7.70	35.2	7.87	35.7	7.91	36.6	7.98	37.4	8.06
	33	24.9	5.12	29.7	6.58	34.2	8.12	34.7	8.17	35.2	8.20	36.0	8.28	37.0	8.36
	35	24.9	5.45	29.7	7.01	33.7	8.42	34.1	8.46	34.6	8.51	35.4	8.59	36.4	8.67
	37	24.9	5.80	29.7	7.47	33.1	8.72	33.6	8.76	34.0	8.80	34.9	8.89	35.8	8.97
	39	24.9	6.16	29.7	7.95	32.5	9.02	33.0	9.06	33.5	9.11	34.3	9.20	35.3	9.29
41	23.5	6.87	28.2	8.84	32.1	10.61	32.4	9.82	32.9	9.87	33.7	9.96	34.7	10.05	
44	21.9	7.47	26.7	9.61	30.5	11.79	31.0	11.09	31.6	10.64	32.4	10.48	33.5	10.57	
47	20.7	9.93	25.8	12.79	29.5	12.37	29.9	11.26	30.4	11.32	31.3	11.25	32.4	11.35	
50	18.9	9.76	23.1	12.55	26.3	13.05	26.7	13.03	27.1	12.42	28.0	12.20	29.1	11.96	
52	14.3	8.23	17.2	10.59	19.7	11.11	20.1	11.09	20.7	10.89	22.3	10.74	23.6	10.40	

GMV5 DC Inverter VRF Units Technical Sales Guide

Combination	Outdoor air temp. (°CDB)	Indoor air temp.													
		14.0°CWB		16.0°CWB		18.0°CWB		19.0°CWB		20.0°CWB		22.0°CWB		24.0°CWB	
		20.0°CDB		23.0°CDB		26.0°CDB		27.0°CDB		28.0°CDB		30.0°CDB		32.0°CDB	
		TC	PI	TC	PI	TC	PI	TC	PI	TC	PI	TC	PI	TC	PI
		kW	kW	kW	kW	kW	kW	kW	kW	kW	kW	kW	kW	kW	
100%	-5	22.6	2.56	28.0	3.28	36.6	4.09	39.9	4.51	40.6	4.54	41.4	4.58	42.4	4.62
	0	22.6	2.56	28.0	3.28	36.6	4.09	39.9	4.52	40.6	4.55	41.4	4.59	42.4	4.63
	4	22.6	2.57	28.0	3.29	36.6	4.11	39.9	4.54	40.6	4.56	41.4	4.60	42.4	4.64
	7	22.6	2.62	28.0	3.36	36.6	4.18	39.9	4.62	40.6	4.65	41.1	4.69	41.9	4.73
	10	22.6	2.90	26.9	3.52	31.3	4.17	33.5	4.50	35.6	4.86	40.1	5.50	42.3	5.72
	12	22.6	2.94	26.9	3.57	31.3	4.22	33.5	4.56	35.6	4.95	40.1	5.60	41.7	5.67
	14	22.6	2.99	26.9	3.63	31.3	4.30	33.5	4.64	35.6	5.04	40.1	5.69	41.3	5.63
	16	22.6	3.06	26.9	3.71	31.3	4.39	33.5	4.75	35.6	5.16	39.9	5.82	40.7	5.75
	18	22.6	3.13	26.9	3.80	31.3	4.48	33.5	4.84	35.6	5.26	39.4	5.93	40.2	6.02
	20	22.6	3.17	26.9	3.86	31.3	4.63	33.5	5.09	35.6	5.59	38.8	6.24	39.6	6.34
	21	22.6	3.21	26.9	3.89	31.3	4.78	33.5	5.27	35.6	5.78	38.5	6.46	39.4	6.52
	23	22.6	3.29	26.9	4.16	31.3	5.14	33.5	5.66	35.6	6.22	38.1	6.83	38.8	6.90
	25	22.6	3.50	26.9	4.43	31.3	5.47	33.5	6.03	35.6	6.65	37.4	7.08	38.3	7.15
	27	22.6	3.74	26.9	4.73	31.3	5.87	33.5	6.47	35.6	7.14	36.8	7.33	37.7	7.40
	29	22.6	3.96	26.9	5.05	31.3	6.28	33.5	6.92	35.5	7.56	36.3	7.68	37.2	7.75
	31	22.6	4.21	26.9	5.38	31.3	6.69	33.5	7.45	35.1	7.87	35.5	8.00	36.6	8.07
	33	22.6	4.48	26.9	5.73	31.3	7.14	33.5	7.89	34.5	8.15	35.3	8.23	36.1	8.30
	35	22.6	4.77	26.9	6.10	31.3	7.61	33.5	8.41	33.9	8.45	34.7	8.52	35.5	8.60
	37	22.6	5.08	26.9	6.50	31.3	8.10	32.9	8.71	33.4	8.75	34.2	8.81	35.0	8.89
	39	22.6	5.41	26.9	6.92	31.3	8.63	32.5	9.00	32.6	9.04	33.7	9.11	34.2	9.19
41	21.4	6.00	25.6	7.69	29.8	9.59	31.8	9.75	32.2	9.80	33.0	9.89	33.8	9.98	
44	19.9	6.53	24.2	8.36	28.4	10.65	30.5	11.01	30.9	10.56	31.8	10.40	32.7	10.49	
47	18.8	8.69	23.4	11.12	27.4	11.18	29.4	11.18	29.8	11.24	30.7	11.17	31.6	11.27	
50	17.2	8.53	21.0	10.92	24.5	11.79	26.2	12.95	26.6	12.34	27.4	12.11	28.4	11.87	
52	13.0	7.20	15.6	9.21	18.3	10.04	19.8	11.01	20.3	10.81	21.8	10.66	23.1	10.32	

Combination	Outdoor air temp. (°CDB)	Indoor air temp.													
		14.0°CWB		16.0°CWB		18.0°CWB		19.0°CWB		20.0°CWB		22.0°CWB		24.0°CWB	
		20.0°CDB		23.0°CDB		26.0°CDB		27.0°CDB		28.0°CDB		30.0°CDB		32.0°CDB	
		TC	PI	TC	PI	TC	PI	TC	PI	TC	PI	TC	PI	TC	PI
		kW	kW	kW	kW	kW	kW	kW	kW	kW	kW	kW	kW	kW	
90%	-5	20.4	2.23	25.2	2.83	33.0	3.49	36.0	3.86	38.5	4.24	40.6	4.54	41.5	4.58
	0	20.4	2.24	25.2	2.83	33.0	3.50	36.0	3.86	38.5	4.25	40.6	4.55	41.5	4.59
	4	20.4	2.25	25.2	2.84	33.0	3.51	36.0	3.88	38.5	4.26	40.6	4.56	41.5	4.60
	7	20.4	2.29	25.2	2.89	33.0	3.57	36.0	3.95	38.5	4.34	40.2	4.65	40.9	4.69
	10	20.4	2.53	24.2	3.04	28.2	3.56	30.1	4.01	32.1	4.27	36.1	4.89	39.9	5.54
	12	20.4	2.56	24.2	3.08	28.2	3.61	30.1	4.06	32.1	4.35	36.1	4.98	39.9	5.61
	14	20.4	2.61	24.2	3.13	28.2	3.67	30.1	4.12	32.1	4.43	36.1	5.06	39.9	5.71
	16	20.4	2.67	24.2	3.20	28.2	3.75	30.1	4.22	32.1	4.53	36.1	5.18	39.8	5.82
	18	20.4	2.73	24.2	3.28	28.2	3.82	30.1	4.30	32.1	4.61	36.1	5.30	39.5	6.03
	20	20.4	2.77	24.2	3.33	28.2	3.95	30.1	4.39	32.1	4.81	36.1	5.69	38.8	6.28
	21	20.4	2.80	24.2	3.36	28.2	4.08	30.1	4.53	32.1	4.97	36.1	5.88	38.5	6.42
	23	20.4	2.87	24.2	3.59	28.2	4.39	30.1	4.87	32.1	5.32	36.1	6.32	37.9	6.75
	25	20.4	3.05	24.2	3.82	28.2	4.67	30.1	5.20	32.1	5.69	36.1	6.76	37.4	7.02
	27	20.4	3.26	24.2	4.08	28.2	5.01	30.1	5.55	32.1	6.09	36.1	7.21	36.8	7.33
	29	20.4	3.45	24.2	4.36	28.2	5.36	30.1	5.93	32.1	6.50	35.7	7.56	36.4	7.63
	31	20.4	3.67	24.2	4.64	28.2	5.72	30.1	6.33	32.1	6.94	35.1	7.84	35.8	7.94
	33	20.4	3.91	24.2	4.94	28.2	6.09	30.1	6.73	32.1	7.38	34.6	8.15	35.3	8.23
	35	20.4	4.16	24.2	5.26	28.2	6.50	30.1	7.18	32.1	7.90	34.0	8.45	34.7	8.53
	37	20.4	4.43	24.2	5.60	28.2	6.92	29.6	7.44	32.1	8.45	33.4	8.75	34.2	8.73
	39	20.4	4.72	24.2	5.97	28.2	7.37	29.2	7.68	32.1	8.96	32.9	9.08	33.6	9.05
41	19.2	5.24	23.0	6.63	26.8	8.19	28.7	8.33	30.5	9.16	32.3	9.80	33.1	9.89	
44	17.9	5.70	21.8	7.21	25.5	9.10	27.4	9.41	29.3	9.87	31.1	10.31	31.9	10.40	
47	16.9	7.58	21.1	9.59	24.7	9.55	26.5	9.55	28.2	10.50	30.1	11.07	30.9	11.17	
50	15.5	7.44	18.9	9.42	22.0	10.07	23.6	11.06	25.2	11.53	26.8	12.00	27.8	11.77	
52	11.7	6.28	14.1	7.95	16.5	8.58	17.8	9.41	19.3	10.11	21.4	10.56	22.6	10.23	

Combination	Outdoor air temp. (°CDB)	Indoor air temp.													
		14.0°CWB		16.0°CWB		18.0°CWB		19.0°CWB		20.0°CWB		22.0°CWB		24.0°CWB	
		20.0°CDB		23.0°CDB		26.0°CDB		27.0°CDB		28.0°CDB		30.0°CDB		32.0°CDB	
		TC	PI	TC	PI	TC	PI	TC	PI	TC	PI	TC	PI	TC	PI
		kW	kW	kW	kW	kW	kW	kW	kW	kW	kW	kW	kW	kW	
80%	-5	18.1	1.93	22.4	2.38	29.3	2.96	32.0	3.25	34.1	3.56	38.3	4.22	40.5	4.52
	0	18.1	1.93	22.4	2.38	29.3	2.96	32.0	3.26	34.1	3.56	38.3	4.23	40.5	4.53
	4	18.1	1.94	22.4	2.39	29.3	2.97	32.0	3.27	34.1	3.58	38.3	4.25	40.5	4.55
	7	18.1	1.98	22.4	2.44	29.3	3.03	32.0	3.33	34.1	3.64	38.0	4.33	39.9	4.63
	10	18.1	2.30	21.5	2.75	25.1	3.24	26.8	3.49	28.5	3.74	32.1	4.27	35.5	4.96
	12	18.1	2.33	21.5	2.80	25.1	3.30	26.8	3.56	28.5	3.81	32.1	4.34	35.5	4.92
	14	18.1	2.38	21.5	2.86	25.1	3.35	26.8	3.61	28.5	3.88	32.1	4.42	35.5	5.03
	16	18.1	2.41	21.5	2.90	25.1	3.42	26.8	3.68	28.5	3.94	32.1	4.52	35.5	5.21
	18	18.1	2.46	21.5	2.96	25.1	3.50	26.8	3.76	28.5	4.01	32.1	4.62	35.5	5.57
	20	18.1	2.50	21.5	3.01	25.1	3.56	26.8	3.83	28.5	4.10	32.1	4.79	35.5	5.78
	21	18.1	2.53	21.5	3.04	25.1	3.59	26.8	3.87	28.5	4.20	32.1	4.96	35.5	6.18
	23	18.1	2.57	21.5	3.10	25.1	3.76	26.8	4.12	28.5	4.49	32.1	5.30	35.5	6.61
	25	18.1	2.65	21.5	3.30	25.1	4.02	26.8	4.41	28.5	4.79	32.1	5.68	35.5	7.06
	27	18.1	2.82	21.5	3.51	25.1	4.28	26.8	4.70	28.5	5.14	32.1	6.06	35.5	7.31
	29	18.1	3.00	21.5	3.74	25.1	4.57	26.8	5.01	28.4	5.48	32.1	6.47	35.5	7.57
	31	18.1	3.18	21.5	3.98	25.1	4.86	26.8	5.34	28.4	5.84	32.1	6.90	34.9	7.85
	33	18.1	3.39	21.5	4.43	25.1	5.18	26.8	5.69	28.4	6.22	32.1	7.37	34.5	8.13
	35	18.1	3.59	21.5	4.43	25.1	5.51	26.8	6.06	28.4	6.63	32.1	7.86	33.9	8.43
	37	18.1	3.81	21.5	4.77	25.1	5.86	26.3	6.46	28.4	7.06	32.1	8.38	33.4	8.74
	39	18.1	4.03	21.5	5.06	25.1	6.23	26.0	6.87	28.4	7.51	32.1	8.92	32.8	9.06
41	17.1	4.53	20.5	5.58	23.8	6.94	25.5	7.03	27.0	7.69	30.5	9.12	32.3	9.77	
44	15.9	4.92	19.4	6.07	22.7	7.71	24.4	7.94	26.0	8.28	29.4	9.59	31.1	10.28	
47	15.0	6.55	18.7	8.08	21.9	8.09	23.5	8.06	25.0	8.81	28.4	10.30	30.1	11.04	
50	13.7	6.43	16.8	7.93	19.6	8.53	21.0	9.33	22.3	9.67	25.3	11.17	27.1	11.63	
52	10.4	5.42	12.5	6.69	14.7	7.27	15.8	7.94	17.1	8.48	20.2	9.83	22.0	10.11	

Combination	Outdoor air temp. (°CDB)	Indoor air temp.													
		14.0°CWB		16.0°CWB		18.0°CWB		19.0°CWB		20.0°CWB		22.0°CWB		24.0°CWB	
		20.0°CDB		23.0°CDB		26.0°CDB		27.0°CDB		28.0°CDB		30.0°CDB		32.0°CDB	
		TC	PI	TC	PI	TC	PI	TC	PI	TC	PI	TC	PI	TC	PI
		kW	kW	kW	kW	kW	kW	kW	kW	kW	kW	kW	kW	kW	
70%	-5	15.8	1.64	19.6	2.03	25.6	2.46	28.0	2.70	29.9	2.94	33.5	3.47	37.2	4.03
	0	15.8	1.65	19.6	2.04	25.6	2.47	28.0	2.71	29.9	2.95	33.5	3.47	37.2	4.04
	4	15.8	1.65	19.6	2.04	25.6	2.48	28.0	2.72	29.9	2.96	33.5	3.49	37.2	4.06
	7	15.8	1.68	19.6	2.08	25.6	2.52	28.0	2.77	29.9	3.02	33.2	3.55	36.7	4.13
	10	15.8	2.03	18.8	2.40	21.9	2.80	23.4	3.01	25.0	3.23	28.0	3.67	31.1	4.12
	12	15.8	2.05	18.8	2.44	21.9	2.86	23.4	3.07	25.0	3.29	28.0	3.74	31.1	4.20
	14	15.8	2.08	18.8	2.48	21.9	2.90	23.4	3.12	25.0	3.34	28.0	3.81	31.1	4.28
	16	15.8	2.12	18.8	2.53	21.9	2.96	23.4	3.18	25.0	3.41	28.0	3.87	31.1	4.36
	18	15.8	2.15	18.8	2.57	21.9	3.01	23.4	3.24	25.0	3.47	28.0	3.95	31.1	4.45
	20	15.8	2.19	18.8	2.62	21.9	3.07	23.4	3.30	25.0	3.53	28.0	4.03	31.1	4.58
	21	15.8	2.21	18.8	2.64	21.9	3.09	23.4	3.33	25.0	3.57	28.0	4.08	31.1	4.74
	23	15.8	2.24	18.8	2.69	21.9	3.16	23.4	3.44	25.0	3.75	28.0	4.38	31.1	5.08
	25	15.8	2.29	18.8	2.80	21.9	3.37	23.4	3.68	25.0	4.00	28.0	4.69	31.1	5.43
	27	15.8	2.42	18.8	2.98	21.9	3.59	23.4	3.92	25.0	4.27	28.0	5.01	31.1	5.80
	29	15.8	2.57	18.8	3.16	21.9	3.82	23.4	4.18	25.0	4.54	28.0	5.34	31.1	6.20
	31	15.8	2.72	18.8	3.35	21.9	4.07	23.4	4.44	25.0	4.84	28.0	5.69	31.1	6.61
	33	15.8	2.89	18.8	3.57	21.9	4.33	23.4	4.72	25.0	5.16	28.0	6.06	31.1	7.05
	35	15.8	3.06	18.8	3.78	21.9	4.59	23.4	5.03	25.0	5.48	28.0	6.46	31.1	7.51
	37	15.8	3.23	18.8	4.01	21.9	4.88	23.0	5.35	25.0	5.83	28.0	6.88	31.1	8.00
	39	15.8	3.42	18.8	4.25	21.9	5.18	22.7	5.68	25.0	6.20	28.0	7.31	31.1	8.52
41	15.0	3.85	17.9	4.77	20.8	5.78	22.3	5.84	23.7	6.36	26.7	7.49	29.6	8.71	
44	13.9	4.19	17.0	5.18	19.9	6.42	21.3	6.59	22.8	6.85	25.7	7.88	28.6	9.16	
47	13.1	5.58	16.4	6.90	19.2	6.75	20.6	6.69	22.0	7.29	24.8	8.46	27.7	9.84	
50	12.0	5.48	14.7	6.77	17.1	7.11	18.4	7.75	19.6	8.01	22.2	9.17	24.9	10.37	
52	9.1	4.62	10.9	5.71	12.8	6.06	13.8	6.59	15.0	7.02	17.7	8.07	20.2	9.01	

GMV5 DC Inverter VRF Units Technical Sales Guide

Combination	Outdoor air temp. (°CDB)	Indoor air temp.													
		14.0°CWB		16.0°CWB		18.0°CWB		19.0°CWB		20.0°CWB		22.0°CWB		24.0°CWB	
		20.0°CDB		23.0°CDB		26.0°CDB		27.0°CDB		28.0°CDB		30.0°CDB		32.0°CDB	
		TC	PI	TC	PI	TC	PI	TC	PI	TC	PI	TC	PI	TC	PI
		kW	kW	kW	kW	kW	kW	kW	kW	kW	kW	kW	kW	kW	
60%	-5	13.6	1.38	16.8	1.69	22.0	2.02	24.0	2.20	25.7	2.39	28.7	2.79	31.9	3.22
	0	13.6	1.38	16.8	1.69	22.0	2.02	24.0	2.21	25.7	2.40	28.7	2.80	31.9	3.23
	4	13.6	1.39	16.8	1.69	22.0	2.03	24.0	2.21	25.7	2.40	28.7	2.81	31.9	3.24
	7	13.6	1.41	16.8	1.73	22.0	2.07	24.0	2.26	25.7	2.45	28.5	2.86	31.5	3.30
	10	13.6	1.76	16.2	2.06	18.8	2.39	20.1	2.56	21.4	2.73	24.0	3.09	26.7	3.47
	12	13.6	1.79	16.2	2.10	18.8	2.44	20.1	2.61	21.4	2.78	24.0	3.15	26.7	3.52
	14	13.6	1.81	16.2	2.13	18.8	2.47	20.1	2.65	21.4	2.83	24.0	3.21	26.7	3.59
	16	13.6	1.84	16.2	2.16	18.8	2.52	20.1	2.70	21.4	2.88	24.0	3.26	26.7	3.66
	18	13.6	1.87	16.2	2.20	18.8	2.56	20.1	2.74	21.4	2.93	24.0	3.32	26.7	3.73
	20	13.6	1.89	16.2	2.24	18.8	2.61	20.1	2.80	21.4	2.99	24.0	3.39	26.7	3.81
	21	13.6	1.91	16.2	2.25	18.8	2.63	20.1	2.82	21.4	3.01	24.0	3.42	26.7	3.84
	23	13.6	1.94	16.2	2.30	18.8	2.67	20.1	2.88	21.4	3.07	24.0	3.56	26.7	4.09
	25	13.6	1.97	16.2	2.35	18.8	2.78	20.1	3.01	21.4	3.26	24.0	3.80	26.7	4.36
	27	13.6	2.05	16.2	2.48	18.8	2.96	20.1	3.22	21.4	3.48	24.0	4.04	26.7	4.66
	29	13.6	2.16	16.2	2.63	18.8	3.15	20.1	3.42	21.4	3.70	24.0	4.32	26.7	4.97
	31	13.6	2.30	16.2	2.80	18.8	3.34	20.1	3.64	21.4	3.94	24.0	4.59	26.7	5.29
	33	13.6	2.42	16.2	2.96	18.8	3.55	20.1	3.86	21.4	4.19	24.0	4.88	26.7	5.64
	35	13.6	2.57	16.2	3.14	18.8	3.76	20.1	4.10	21.4	4.45	24.0	5.20	26.7	6.00
	37	13.6	2.72	16.2	3.32	18.8	3.99	19.7	4.35	21.4	4.72	24.0	5.53	26.7	6.39
	39	13.6	2.87	16.2	3.51	18.8	4.23	19.5	4.61	21.4	5.02	24.0	5.87	26.7	6.80
41	12.8	3.24	15.3	3.95	17.9	4.74	19.1	4.76	20.3	5.17	22.9	6.03	25.4	6.97	
44	11.9	3.52	14.5	4.30	17.0	5.27	18.3	5.37	19.5	5.57	22.0	6.34	24.5	7.33	
47	11.3	4.69	14.1	5.72	16.5	5.53	17.6	5.45	18.8	5.92	21.3	6.81	23.7	7.87	
50	10.3	4.60	12.6	5.62	14.7	5.83	15.7	6.32	16.8	6.50	19.0	7.38	21.3	8.29	
52	7.8	3.88	9.4	4.74	11.0	4.97	11.9	5.37	12.8	5.70	15.1	6.50	17.3	7.21	

Combination	Outdoor air temp. (°CDB)	Indoor air temp.													
		14.0°CWB		16.0°CWB		18.0°CWB		19.0°CWB		20.0°CWB		22.0°CWB		24.0°CWB	
		20.0°CDB		23.0°CDB		26.0°CDB		27.0°CDB		28.0°CDB		30.0°CDB		32.0°CDB	
		TC	PI	TC	PI	TC	PI	TC	PI	TC	PI	TC	PI	TC	PI
		kW	kW	kW	kW	kW	kW	kW	kW	kW	kW	kW	kW	kW	
50%	-5	11.3	1.14	14.0	1.37	18.3	1.62	20.0	1.75	21.3	1.89	23.9	2.19	26.6	2.51
	0	11.3	1.15	14.0	1.37	18.3	1.62	20.0	1.76	21.3	1.90	23.9	2.19	26.6	2.51
	4	11.3	1.15	14.0	1.38	18.3	1.63	20.0	1.76	21.3	1.90	23.9	2.20	26.6	2.52
	7	11.3	1.17	14.0	1.40	18.3	1.66	20.0	1.79	21.3	1.94	23.7	2.24	26.2	2.57
	10	11.3	1.52	13.5	1.76	15.7	2.01	16.7	2.14	17.8	2.27	20.0	2.55	22.3	2.84
	12	11.3	1.53	13.5	1.78	15.7	2.04	16.7	2.16	17.8	2.31	20.0	2.59	22.3	2.89
	14	11.3	1.55	13.5	1.80	15.7	2.06	16.7	2.21	17.8	2.35	20.0	2.64	22.3	2.95
	16	11.3	1.57	13.5	1.82	15.7	2.10	16.7	2.24	17.8	2.38	20.0	2.69	22.3	2.99
	18	11.3	1.60	13.5	1.86	15.7	2.13	16.7	2.28	17.8	2.42	20.0	2.73	22.3	3.05
	20	11.3	1.62	13.5	1.88	15.7	2.16	16.7	2.32	17.8	2.47	20.0	2.79	22.3	3.10
	21	11.3	1.63	13.5	1.90	15.7	2.19	16.7	2.33	17.8	2.49	20.0	2.81	22.3	3.14
	23	11.3	1.65	13.5	1.93	15.7	2.22	16.7	2.38	17.8	2.54	20.0	2.86	22.3	3.21
	25	11.3	1.68	13.5	1.96	15.7	2.27	16.7	2.42	17.8	2.62	20.0	3.00	22.3	3.42
	27	11.3	1.71	13.5	2.04	15.7	2.39	16.7	2.58	17.8	2.78	20.0	3.20	22.3	3.65
	29	11.3	1.80	13.5	2.15	15.7	2.54	16.7	2.74	17.8	2.96	20.0	3.40	22.3	3.89
	31	11.3	1.90	13.5	2.28	15.7	2.71	16.7	2.91	17.8	3.14	20.0	3.61	22.3	4.14
	33	11.3	2.02	13.5	2.41	15.7	2.86	16.7	3.08	17.8	3.33	20.0	3.84	22.3	4.40
	35	11.3	2.13	13.5	2.55	15.7	3.01	16.7	3.26	17.8	3.52	20.0	4.08	22.3	4.67
	37	11.3	2.24	13.5	2.70	15.7	3.20	16.5	3.46	17.8	3.74	20.0	4.33	22.3	4.96
	39	11.3	2.37	13.5	2.84	15.7	3.38	16.2	3.66	17.8	3.97	20.0	4.59	22.3	5.27
41	10.7	2.68	12.8	3.21	14.9	3.80	15.9	3.79	16.9	4.09	19.1	4.73	21.2	5.41	
44	9.9	2.92	12.1	3.49	14.2	4.22	15.2	4.27	16.2	4.40	18.3	4.98	20.5	5.69	
47	9.4	3.88	11.7	4.65	13.7	4.43	14.7	4.34	15.6	4.69	17.7	5.34	19.8	6.12	
50	8.6	3.81	10.5	4.56	12.2	4.67	13.1	5.03	13.9	5.14	15.8	5.79	17.8	6.44	
52	6.5	3.22	7.8	3.85	9.2	3.98	9.9	4.27	10.7	4.51	12.6	5.10	14.5	5.60	

GMV-400WM/B-X

TC—Total capacity of outdoor unit; PI—Power input of outdoor unit

Combination	Outdoor air temp. (°CDB)	Indoor air temp.													
		14.0°CWB		16.0°CWB		18.0°CWB		19.0°CWB		20.0°CWB		22.0°CWB		24.0°CWB	
		20.0°CDB		23.0°CDB		26.0°CDB		27.0°CDB		28.0°CDB		30.0°CDB		32.0°CDB	
		TC	PI	TC	PI	TC	PI	TC	PI	TC	PI	TC	PI	TC	PI
135%	-5	35.1	4.71	41.9	5.73	48.6	5.80	50.4	5.83	51.4	5.86	52.7	5.93	54.3	6.00
	0	35.1	4.72	41.9	5.74	48.6	5.81	50.4	5.84	51.4	5.88	52.7	5.94	54.3	6.01
	4	35.1	4.73	41.9	5.77	48.6	5.83	50.4	5.87	51.4	5.90	52.7	5.97	54.3	6.03
	7	35.1	4.82	41.9	5.87	48.6	5.94	50.4	5.97	51.4	6.01	52.3	6.08	53.6	6.14
	10	35.1	4.91	41.9	6.00	48.6	7.13	50.4	7.29	51.0	7.15	52.3	6.84	53.6	6.53
	12	35.1	4.99	41.9	6.11	48.6	7.28	49.7	7.25	50.4	7.10	51.6	6.79	52.9	6.69
	14	35.1	5.09	41.9	6.23	48.4	7.36	49.1	7.22	49.7	7.06	51.0	7.00	52.3	7.07
	16	35.1	5.18	41.9	6.36	47.9	7.33	48.4	7.28	49.0	7.30	50.3	7.38	51.6	7.45
	18	35.1	5.28	41.9	6.49	47.1	7.61	47.7	7.65	48.4	7.69	49.7	7.76	51.0	7.84
	20	35.1	5.40	41.9	6.90	46.4	7.98	47.1	8.02	47.7	8.06	49.0	8.14	50.3	8.22
	21	35.1	5.54	41.9	7.15	46.1	8.17	46.9	8.21	47.4	8.25	48.7	8.34	50.0	8.41
	23	35.1	5.94	41.9	7.66	45.6	8.54	46.1	8.58	46.7	8.62	48.0	8.71	49.3	8.80
	25	35.1	6.34	41.9	8.21	44.9	8.91	45.6	8.95	46.1	9.01	47.4	9.10	48.7	9.18
	27	35.1	6.77	41.9	8.78	44.3	7.85	44.9	9.34	45.4	9.38	46.7	9.49	48.0	9.59
	29	35.1	7.23	41.9	9.38	43.6	9.66	44.1	9.71	44.9	9.77	46.1	9.87	47.4	9.97
	31	35.1	7.72	41.7	9.93	42.9	10.05	43.6	10.10	44.1	10.15	45.4	10.26	46.7	10.38
	33	35.1	8.22	41.0	10.30	42.3	10.40	42.9	10.48	43.6	10.53	44.9	10.65	46.0	10.78
	35	35.1	8.77	40.3	10.68	41.6	10.81	42.3	10.86	42.9	10.92	44.1	11.05	45.4	11.16
	37	35.1	9.33	39.7	11.06	41.0	11.19	41.6	11.25	42.3	11.32	43.4	11.45	44.7	11.58
	39	35.1	9.93	39.0	11.44	40.3	11.57	41.0	11.64	41.6	11.71	42.9	11.84	44.1	11.98
	41	33.2	11.05	38.3	13.45	39.5	13.61	40.2	12.60	40.8	12.67	42.0	12.82	43.3	12.95
44	30.9	12.01	36.3	14.63	37.6	15.13	38.5	14.23	39.1	13.65	40.4	13.48	41.8	13.62	
47	29.2	15.98	35.0	19.46	36.4	15.88	37.1	14.45	37.7	14.52	39.1	14.47	40.4	14.63	
50	26.7	15.69	31.4	19.11	32.5	16.75	33.1	16.73	33.6	15.94	34.9	15.69	36.3	15.41	
52	20.2	13.24	23.4	16.12	24.3	14.26	24.9	14.23	25.7	13.98	27.8	13.81	29.5	13.40	

Combination	Outdoor air temp. (°CDB)	Indoor air temp.													
		14.0°CWB		16.0°CWB		18.0°CWB		19.0°CWB		20.0°CWB		22.0°CWB		24.0°CWB	
		20.0°CDB		23.0°CDB		26.0°CDB		27.0°CDB		28.0°CDB		30.0°CDB		32.0°CDB	
		TC	PI	TC	PI	TC	PI	TC	PI	TC	PI	TC	PI	TC	PI
120%	-5	32.4	4.19	40.1	5.42	47.7	5.76	49.4	5.79	50.6	5.83	51.7	5.89	53.1	5.95
	0	32.4	4.20	40.1	5.44	47.7	5.77	49.4	5.81	50.6	5.84	51.7	5.90	53.1	5.96
	4	32.4	4.22	40.1	5.46	47.7	5.80	49.4	5.83	50.6	5.86	51.7	5.92	53.1	5.98
	7	32.4	4.29	40.1	5.56	47.7	5.90	49.4	5.94	50.6	5.97	51.3	6.03	52.4	6.09
	10	32.4	4.48	38.6	5.47	44.9	6.50	48.0	7.03	50.3	7.33	51.4	7.05	52.6	6.77
	12	32.4	4.56	38.6	5.57	44.9	6.63	48.0	7.16	49.6	7.29	50.7	7.02	51.9	6.73
	14	32.4	4.65	38.6	5.68	44.9	6.76	48.0	7.30	48.9	7.25	50.1	6.97	51.3	7.02
	16	32.4	4.74	38.6	5.80	44.9	6.89	47.7	7.36	48.3	7.26	49.4	7.33	50.6	7.39
	18	32.4	4.82	38.6	5.91	44.9	7.13	47.0	7.61	47.6	7.63	48.7	7.71	50.0	7.78
	20	32.4	4.92	38.6	6.14	44.9	7.66	46.4	7.98	47.0	8.01	48.1	8.08	49.3	8.15
	21	32.4	4.97	38.6	6.36	44.9	7.94	46.0	8.17	46.6	8.19	47.9	8.27	49.0	8.35
	23	32.4	5.31	38.6	6.82	44.9	8.50	45.4	8.52	46.0	8.57	47.1	8.65	48.3	8.72
	25	32.4	5.67	38.6	7.29	44.1	8.87	44.7	8.90	45.3	8.94	46.6	9.03	47.7	9.11
	27	32.4	6.06	38.6	7.79	43.6	9.23	44.1	9.28	44.7	9.33	45.9	9.41	47.0	9.50
	29	32.4	6.46	38.6	8.32	42.9	9.60	43.4	9.66	44.0	9.70	45.1	9.80	46.4	9.89
	31	32.4	6.89	38.6	8.88	42.3	9.99	42.9	10.03	43.4	10.09	44.6	10.19	45.7	10.29
	33	32.4	7.33	38.6	9.49	41.6	10.36	42.1	10.42	42.7	10.46	43.9	10.58	45.0	10.68
	35	32.4	7.81	38.6	10.10	40.9	10.73	41.4	10.79	42.1	10.85	43.3	10.96	44.4	11.08
	37	32.4	8.31	38.6	10.76	40.3	11.12	40.9	11.18	41.4	11.24	42.6	11.35	43.7	11.48
	39	32.4	8.84	38.4	11.37	39.6	11.49	40.1	11.57	40.7	11.62	42.0	11.75	43.1	11.87
	41	30.6	9.84	36.6	12.73	38.8	13.52	39.4	12.52	40.1	12.58	41.2	12.72	42.3	12.85
44	28.5	10.69	34.7	13.84	37.0	15.03	37.7	14.14	38.5	13.56	39.7	13.38	40.9	13.52	
47	26.9	14.23	33.6	18.42	35.8	15.78	36.4	14.35	37.1	14.43	38.3	14.36	39.5	14.51	
50	24.6	13.97	30.1	18.08	31.9	16.64	32.4	16.62	33.1	15.84	34.2	15.57	35.5	15.29	
52	18.7	11.79	22.4	15.25	23.9	14.17	24.4	14.14	25.3	13.89	27.3	13.70	28.9	13.29	

GMV5 DC Inverter VRF Units Technical Sales Guide

Combination	Outdoor air temp. (°CDB)	Indoor air temp.													
		14.0°CWB		16.0°CWB		18.0°CWB		19.0°CWB		20.0°CWB		22.0°CWB		24.0°CWB	
		20.0°CDB		23.0°CDB		26.0°CDB		27.0°CDB		28.0°CDB		30.0°CDB		32.0°CDB	
		TC	PI	TC	PI	TC	PI	TC	PI	TC	PI	TC	PI	TC	PI
		kW	kW	kW	kW	kW	kW	kW	kW	kW	kW	kW	kW	kW	
110%	-5	29.7	3.71	36.8	4.77	47.1	5.73	48.6	5.76	49.5	5.79	50.5	5.84	51.9	5.90
	0	29.7	3.71	36.8	4.78	47.1	5.74	48.6	5.77	49.5	5.80	50.5	5.85	51.9	5.91
	4	29.7	3.73	36.8	4.80	47.1	5.76	48.6	5.79	49.5	5.82	50.5	5.87	51.9	5.93
	7	29.7	3.80	36.8	4.89	47.1	5.86	48.6	5.90	49.5	5.93	50.1	5.98	51.2	6.04
	10	29.7	4.06	35.4	4.95	41.1	5.88	44.0	6.36	46.9	6.84	50.4	7.26	51.6	7.02
	12	29.7	4.15	35.4	5.05	41.1	6.00	44.0	6.49	46.9	6.97	49.9	7.23	50.9	6.97
	14	29.7	4.22	35.4	5.14	41.1	6.11	44.0	6.60	46.9	7.10	49.1	7.23	50.3	6.96
	16	29.7	4.29	35.4	5.24	41.1	6.23	44.0	6.73	46.9	7.25	48.6	7.28	49.6	7.35
	18	29.7	4.38	35.4	5.34	41.1	6.36	44.0	6.92	46.9	7.59	47.9	7.65	49.0	7.72
	20	29.7	4.46	35.4	5.45	41.1	6.73	44.0	7.43	46.1	7.96	47.3	8.02	48.3	8.09
	21	29.7	4.51	35.4	5.61	41.1	6.97	44.0	7.71	45.9	8.15	46.9	8.21	48.0	8.28
	23	29.7	4.72	35.4	6.01	41.1	7.48	44.0	8.27	45.1	8.51	46.3	8.60	47.3	8.67
	25	29.7	5.02	35.4	6.43	41.1	7.99	44.0	8.85	44.6	8.88	45.6	8.97	46.7	9.04
	27	29.7	5.37	35.4	6.87	41.1	8.55	43.3	9.23	43.9	9.26	45.0	9.34	46.0	9.43
	29	29.7	5.73	35.4	7.33	41.1	9.14	42.7	9.60	43.3	9.64	44.3	9.73	45.4	9.82
	31	29.7	6.10	35.4	7.82	41.1	9.76	42.0	9.97	42.6	10.02	43.7	10.10	44.7	10.20
	33	29.7	6.49	35.4	8.34	40.9	10.29	41.4	10.35	42.0	10.39	43.0	10.49	44.1	10.59
	35	29.7	6.90	35.4	8.88	40.3	10.66	40.7	10.72	41.3	10.78	42.3	10.88	43.4	10.98
	37	29.7	7.35	35.4	9.46	39.6	11.05	40.1	11.09	40.6	11.15	41.7	11.26	42.7	11.37
	39	29.7	7.81	35.4	10.07	38.9	11.42	39.4	11.48	40.0	11.54	41.0	11.65	42.1	11.77
41	28.1	8.70	33.7	11.19	38.3	13.43	38.7	12.43	39.3	12.50	40.3	12.62	41.4	12.73	
44	26.1	9.46	31.9	12.17	36.5	14.93	37.1	14.04	37.7	13.47	38.7	13.27	40.0	13.39	
47	24.7	12.58	30.8	16.19	35.3	15.67	35.7	14.26	36.3	14.33	37.4	14.25	38.7	14.38	
50	22.6	12.36	27.6	15.90	31.5	16.53	31.9	16.51	32.4	15.73	33.4	15.45	34.7	15.15	
52	17.1	10.42	20.5	13.41	23.6	14.07	24.0	14.04	24.8	13.79	26.6	13.60	28.2	13.17	

Combination	Outdoor air temp. (°CDB)	Indoor air temp.													
		14.0°CWB		16.0°CWB		18.0°CWB		19.0°CWB		20.0°CWB		22.0°CWB		24.0°CWB	
		20.0°CDB		23.0°CDB		26.0°CDB		27.0°CDB		28.0°CDB		30.0°CDB		32.0°CDB	
		TC	PI	TC	PI	TC	PI	TC	PI	TC	PI	TC	PI	TC	PI
		kW	kW	kW	kW	kW	kW	kW	kW	kW	kW	kW	kW	kW	
100%	-5	27.0	3.24	33.4	4.15	43.7	5.17	47.7	5.72	48.5	5.75	49.4	5.80	50.7	5.85
	0	27.0	3.25	33.4	4.16	43.7	5.18	47.7	5.73	48.5	5.76	49.4	5.81	50.7	5.86
	4	27.0	3.26	33.4	4.17	43.7	5.20	47.7	5.75	48.5	5.78	49.4	5.83	50.7	5.88
	7	27.0	3.32	33.4	4.25	43.7	5.30	47.7	5.86	48.5	5.89	49.0	5.94	50.0	5.99
	10	27.0	3.67	32.1	4.46	37.4	5.28	40.0	5.70	42.6	6.15	47.8	6.97	50.6	7.24
	12	27.0	3.72	32.1	4.52	37.4	5.35	40.0	5.77	42.6	6.27	47.8	7.09	49.8	7.18
	14	27.0	3.79	32.1	4.60	37.4	5.44	40.0	5.88	42.6	6.39	47.8	7.21	49.3	7.12
	16	27.0	3.87	32.1	4.70	37.4	5.56	40.0	6.01	42.6	6.53	47.7	7.37	48.6	7.29
	18	27.0	3.96	32.1	4.81	37.4	5.67	40.0	6.13	42.6	6.66	47.0	7.51	48.0	7.63
	20	27.0	4.02	32.1	4.88	37.4	5.86	40.0	6.45	42.6	7.08	46.3	7.91	47.3	8.03
	21	27.0	4.06	32.1	4.93	37.4	6.06	40.0	6.67	42.6	7.33	46.0	8.18	47.0	8.25
	23	27.0	4.16	32.1	5.27	37.4	6.51	40.0	7.17	42.6	7.88	45.4	8.66	46.3	8.73
	25	27.0	4.43	32.1	5.61	37.4	6.93	40.0	7.63	42.6	8.43	44.7	8.97	45.7	9.05
	27	27.0	4.73	32.1	5.99	37.4	7.44	40.0	8.19	42.6	9.04	44.0	9.28	45.0	9.37
	29	27.0	5.01	32.1	6.40	37.4	7.95	40.0	8.76	42.4	9.58	43.4	9.73	44.4	9.82
	31	27.0	5.33	32.1	6.81	37.4	8.48	40.0	9.44	41.9	9.96	42.4	10.13	43.7	10.22
	33	27.0	5.67	32.1	7.26	37.4	9.04	40.0	9.99	41.1	10.33	42.2	10.42	43.1	10.51
	35	27.0	6.04	32.1	7.73	37.4	9.64	40.0	10.65	40.4	10.70	41.4	10.80	42.4	10.89
	37	27.0	6.43	32.1	8.23	37.4	10.26	39.3	11.03	39.9	11.09	40.8	11.16	41.8	11.26
	39	27.0	6.85	32.1	8.77	37.4	10.93	38.8	11.40	39.0	11.45	40.3	11.53	40.8	11.64
41	25.5	7.61	30.5	9.74	35.6	12.14	38.0	12.35	38.4	12.41	39.4	12.52	40.4	12.64	
44	23.8	8.27	28.9	10.59	33.9	13.49	36.4	13.95	36.9	13.38	37.9	13.17	39.0	13.29	
47	22.4	11.00	28.0	14.09	32.8	14.17	35.1	14.16	35.6	14.23	36.6	14.14	37.7	14.27	
50	20.5	10.80	25.1	13.83	29.2	14.94	31.3	16.40	31.7	15.62	32.7	15.33	33.9	15.03	
52	15.6	9.11	18.6	11.67	21.9	12.72	23.6	13.95	24.3	13.70	26.1	13.50	27.6	13.07	

Combination	Outdoor air temp. (°CDB)	Indoor air temp.													
		14.0°CWB		16.0°CWB		18.0°CWB		19.0°CWB		20.0°CWB		22.0°CWB		24.0°CWB	
		TC	PI	TC	PI	TC	PI	TC	PI	TC	PI	TC	PI	TC	PI
90%	-5	24.3	2.83	30.1	3.58	39.4	4.42	42.9	4.88	46.0	5.37	48.5	5.75	49.5	5.80
	0	24.3	2.83	30.1	3.59	39.4	4.43	42.9	4.89	46.0	5.38	48.5	5.76	49.5	5.81
	4	24.3	2.84	30.1	3.60	39.4	4.44	42.9	4.91	46.0	5.40	48.5	5.78	49.5	5.83
	7	24.3	2.90	30.1	3.67	39.4	4.53	42.9	5.00	46.0	5.50	48.1	5.89	48.9	5.94
	10	24.3	3.21	28.9	3.85	33.7	4.51	36.0	5.08	38.3	5.41	43.1	6.19	47.7	7.02
	12	24.3	3.25	28.9	3.90	33.7	4.57	36.0	5.15	38.3	5.51	43.1	6.30	47.7	7.11
	14	24.3	3.30	28.9	3.97	33.7	4.65	36.0	5.22	38.3	5.61	43.1	6.41	47.7	7.23
	16	24.3	3.38	28.9	4.06	33.7	4.75	36.0	5.34	38.3	5.73	43.1	6.56	47.6	7.37
	18	24.3	3.45	28.9	4.15	33.7	4.84	36.0	5.44	38.3	5.84	43.1	6.71	47.1	7.63
	20	24.3	3.51	28.9	4.21	33.7	5.00	36.0	5.56	38.3	6.09	43.1	7.21	46.3	7.95
	21	24.3	3.54	28.9	4.25	33.7	5.17	36.0	5.74	38.3	6.30	43.1	7.45	46.0	8.13
	23	24.3	3.63	28.9	4.54	33.7	5.56	36.0	6.17	38.3	6.74	43.1	8.01	45.3	8.55
	25	24.3	3.86	28.9	4.83	33.7	5.92	36.0	6.59	38.3	7.21	43.1	8.56	44.7	8.90
	27	24.3	4.13	28.9	5.17	33.7	6.35	36.0	7.03	38.3	7.72	43.1	9.14	44.0	9.29
	29	24.3	4.37	28.9	5.52	33.7	6.79	36.0	7.51	38.3	8.24	42.6	9.58	43.4	9.66
	31	24.3	4.65	28.9	5.88	33.7	7.24	36.0	8.02	38.3	8.79	41.9	9.93	42.7	10.06
	33	24.3	4.95	28.9	6.26	33.7	7.72	36.0	8.53	38.3	9.35	41.3	10.33	42.1	10.42
	35	24.3	5.27	28.9	6.67	33.7	8.23	36.0	9.09	38.3	10.00	40.6	10.70	41.4	10.80
	37	24.3	5.61	28.9	7.10	33.7	8.76	35.4	9.42	38.3	10.70	39.9	11.09	40.9	11.06
	39	24.3	5.97	28.9	7.56	33.7	9.33	34.9	9.73	38.3	11.34	39.3	11.50	40.1	11.47
41	23.0	6.64	27.5	8.40	32.0	10.37	34.2	10.55	36.4	11.60	38.6	12.42	39.5	12.53	
44	21.4	7.21	26.0	9.13	30.5	11.52	32.8	11.91	35.0	12.50	37.2	13.06	38.1	13.17	
47	20.2	9.60	25.2	12.15	29.5	12.10	31.6	12.09	33.7	13.30	35.9	14.02	36.9	14.15	
50	18.5	9.43	22.6	11.93	26.3	12.76	28.2	14.00	30.1	14.60	32.1	15.20	33.1	14.90	
52	14.0	7.95	16.8	10.07	19.7	10.86	21.2	11.91	23.0	12.80	25.6	13.38	26.9	12.96	

Combination	Outdoor air temp. (°CDB)	Indoor air temp.													
		14.0°CWB		16.0°CWB		18.0°CWB		19.0°CWB		20.0°CWB		22.0°CWB		24.0°CWB	
		TC	PI	TC	PI	TC	PI	TC	PI	TC	PI	TC	PI	TC	PI
80%	-5	21.6	2.44	26.7	3.01	35.0	3.75	38.2	4.12	40.7	4.51	45.7	5.35	48.3	5.73
	0	21.6	2.45	26.7	3.02	35.0	3.75	38.2	4.13	40.7	4.51	45.7	5.36	48.3	5.74
	4	21.6	2.46	26.7	3.03	35.0	3.77	38.2	4.15	40.7	4.53	45.7	5.38	48.3	5.76
	7	21.6	2.50	26.7	3.09	35.0	3.84	38.2	4.22	40.7	4.62	45.3	5.48	47.7	5.87
	10	21.6	2.91	25.7	3.49	29.9	4.10	32.0	4.42	34.1	4.73	38.3	5.41	42.4	6.28
	12	21.6	2.96	25.7	3.54	29.9	4.18	32.0	4.51	34.1	4.82	38.3	5.50	42.4	6.23
	14	21.6	3.01	25.7	3.62	29.9	4.25	32.0	4.58	34.1	4.91	38.3	5.60	42.4	6.37
	16	21.6	3.06	25.7	3.67	29.9	4.33	32.0	4.66	34.1	4.99	38.3	5.72	42.4	6.60
	18	21.6	3.11	25.7	3.75	29.9	4.43	32.0	4.76	34.1	5.08	38.3	5.85	42.4	7.06
	20	21.6	3.17	25.7	3.82	29.9	4.51	32.0	4.85	34.1	5.20	38.3	6.06	42.4	7.31
	21	21.6	3.20	25.7	3.85	29.9	4.55	32.0	4.91	34.1	5.32	38.3	6.28	42.4	7.83
	23	21.6	3.26	25.7	3.93	29.9	4.76	32.0	5.22	34.1	5.68	38.3	6.72	42.4	8.38
	25	21.6	3.36	25.7	4.18	29.9	5.09	32.0	5.58	34.1	6.07	38.3	7.19	42.4	8.94
	27	21.6	3.57	25.7	4.45	29.9	5.42	32.0	5.96	34.1	6.51	38.3	7.68	42.4	9.25
	29	21.6	3.80	25.7	4.74	29.9	5.78	32.0	6.34	33.9	6.94	38.3	8.19	42.4	9.59
	31	21.6	4.03	25.7	5.04	29.9	6.16	32.0	6.76	33.9	7.40	38.3	8.74	41.7	9.94
	33	21.6	4.29	25.7	5.61	29.9	6.56	32.0	7.20	33.9	7.88	38.3	9.33	41.1	10.30
	35	21.6	4.55	25.7	5.61	29.9	6.97	32.0	7.68	33.9	8.39	38.3	9.96	40.4	10.67
	37	21.6	4.82	25.7	6.04	29.9	7.42	31.4	8.18	33.9	8.94	38.3	10.61	39.9	11.07
	39	21.6	5.11	25.7	6.41	29.9	7.89	31.0	8.71	33.9	9.52	38.3	11.30	39.1	11.48
41	20.4	5.73	24.4	7.07	28.5	8.79	30.4	8.91	32.3	9.73	36.4	11.55	38.5	12.38	
44	19.0	6.23	23.1	7.69	27.1	9.76	29.1	10.06	31.0	10.49	35.1	12.15	37.2	13.02	
47	17.9	8.29	22.4	10.23	26.2	10.25	28.1	10.21	29.9	11.16	33.9	13.05	36.0	13.98	
50	16.4	8.14	20.1	10.04	23.4	10.81	25.1	11.82	26.6	12.25	30.2	14.14	32.3	14.73	
52	12.4	6.87	14.9	8.47	17.5	9.21	18.9	10.06	20.4	10.74	24.1	12.45	26.3	12.81	

GMV5 DC Inverter VRF Units Technical Sales Guide

Combination	Outdoor air temp. (°CDB)	Indoor air temp.													
		14.0°CWB		16.0°CWB		18.0°CWB		19.0°CWB		20.0°CWB		22.0°CWB		24.0°CWB	
		20.0°CDB		23.0°CDB		26.0°CDB		27.0°CDB		28.0°CDB		30.0°CDB		32.0°CDB	
		TC	PI	TC	PI	TC	PI	TC	PI	TC	PI	TC	PI	TC	PI
		kW	kW	kW	kW	kW	kW	kW	kW	kW	kW	kW	kW	kW	
70%	-5	18.9	2.08	23.4	2.57	30.6	3.12	33.4	3.42	35.8	3.73	40.0	4.39	44.4	5.11
	0	18.9	2.08	23.4	2.58	30.6	3.13	33.4	3.43	35.8	3.74	40.0	4.40	44.4	5.12
	4	18.9	2.09	23.4	2.59	30.6	3.14	33.4	3.44	35.8	3.75	40.0	4.42	44.4	5.14
	7	18.9	2.13	23.4	2.64	30.6	3.20	33.4	3.50	35.8	3.82	39.7	4.50	43.8	5.23
	10	18.9	2.57	22.5	3.04	26.2	3.54	28.0	3.82	29.8	4.09	33.5	4.65	37.1	5.22
	12	18.9	2.60	22.5	3.09	26.2	3.62	28.0	3.89	29.8	4.16	33.5	4.74	37.1	5.32
	14	18.9	2.64	22.5	3.14	26.2	3.67	28.0	3.95	29.8	4.23	33.5	4.82	37.1	5.42
	16	18.9	2.68	22.5	3.20	26.2	3.75	28.0	4.03	29.8	4.32	33.5	4.91	37.1	5.52
	18	18.9	2.73	22.5	3.26	26.2	3.82	28.0	4.10	29.8	4.39	33.5	5.01	37.1	5.64
	20	18.9	2.77	22.5	3.31	26.2	3.89	28.0	4.18	29.8	4.48	33.5	5.11	37.1	5.80
	21	18.9	2.80	22.5	3.34	26.2	3.92	28.0	4.22	29.8	4.52	33.5	5.17	37.1	6.00
	23	18.9	2.84	22.5	3.40	26.2	4.00	28.0	4.36	29.8	4.75	33.5	5.55	37.1	6.43
	25	18.9	2.90	22.5	3.54	26.2	4.26	28.0	4.66	29.8	5.07	33.5	5.94	37.1	6.87
	27	18.9	3.07	22.5	3.77	26.2	4.55	28.0	4.97	29.8	5.41	33.5	6.34	37.1	7.35
	29	18.9	3.26	22.5	4.00	26.2	4.84	28.0	5.30	29.8	5.75	33.5	6.76	37.1	7.85
	31	18.9	3.44	22.5	4.25	26.2	5.15	28.0	5.63	29.8	6.13	33.5	7.20	37.1	8.37
	33	18.9	3.66	22.5	4.52	26.2	5.48	28.0	5.98	29.8	6.53	33.5	7.68	37.1	8.93
	35	18.9	3.87	22.5	4.79	26.2	5.81	28.0	6.37	29.8	6.95	33.5	8.18	37.1	9.51
	37	18.9	4.09	22.5	5.08	26.2	6.18	27.5	6.77	29.8	7.39	33.5	8.71	37.1	10.13
	39	18.9	4.33	22.5	5.38	26.2	6.56	27.1	7.19	29.8	7.85	33.5	9.26	37.1	10.79
41	17.9	4.88	21.4	6.04	24.9	7.32	26.6	7.39	28.3	8.06	31.9	9.49	35.4	11.04	
44	16.6	5.31	20.3	6.57	23.7	8.14	25.5	8.35	27.2	8.68	30.7	9.98	34.2	11.61	
47	15.7	7.06	19.6	8.74	22.9	8.54	24.6	8.47	26.2	9.24	29.6	10.72	33.1	12.46	
50	14.4	6.94	17.6	8.58	20.5	9.01	21.9	9.81	23.4	10.14	26.5	11.61	29.7	13.13	
52	10.9	5.85	13.1	7.24	15.3	7.67	16.5	8.35	17.9	8.89	21.1	10.22	24.1	11.42	

Combination	Outdoor air temp. (°CDB)	Indoor air temp.													
		14.0°CWB		16.0°CWB		18.0°CWB		19.0°CWB		20.0°CWB		22.0°CWB		24.0°CWB	
		20.0°CDB		23.0°CDB		26.0°CDB		27.0°CDB		28.0°CDB		30.0°CDB		32.0°CDB	
		TC	PI	TC	PI	TC	PI	TC	PI	TC	PI	TC	PI	TC	PI
		kW	kW	kW	kW	kW	kW	kW	kW	kW	kW	kW	kW	kW	
60%	-5	16.2	1.75	20.0	2.13	26.2	2.56	28.6	2.79	30.6	3.03	34.3	3.54	38.1	4.08
	0	16.2	1.75	20.0	2.14	26.2	2.56	28.6	2.79	30.6	3.03	34.3	3.54	38.1	4.09
	4	16.2	1.76	20.0	2.15	26.2	2.57	28.6	2.81	30.6	3.05	34.3	3.56	38.1	4.11
	7	16.2	1.79	20.0	2.19	26.2	2.62	28.6	2.86	30.6	3.10	34.0	3.62	37.6	4.18
	10	16.2	2.22	19.3	2.61	22.5	3.03	24.0	3.24	25.5	3.46	28.7	3.92	31.9	4.39
	12	16.2	2.27	19.3	2.65	22.5	3.09	24.0	3.30	25.5	3.52	28.7	3.99	31.9	4.46
	14	16.2	2.30	19.3	2.70	22.5	3.13	24.0	3.36	25.5	3.59	28.7	4.06	31.9	4.55
	16	16.2	2.32	19.3	2.74	22.5	3.19	24.0	3.42	25.5	3.64	28.7	4.13	31.9	4.64
	18	16.2	2.37	19.3	2.78	22.5	3.24	24.0	3.47	25.5	3.72	28.7	4.20	31.9	4.72
	20	16.2	2.40	19.3	2.84	22.5	3.30	24.0	3.54	25.5	3.79	28.7	4.29	31.9	4.82
	21	16.2	2.43	19.3	2.86	22.5	3.33	24.0	3.57	25.5	3.82	28.7	4.33	31.9	4.86
	23	16.2	2.45	19.3	2.91	22.5	3.39	24.0	3.64	25.5	3.89	28.7	4.51	31.9	5.18
	25	16.2	2.50	19.3	2.97	22.5	3.52	24.0	3.82	25.5	4.13	28.7	4.81	31.9	5.52
	27	16.2	2.60	19.3	3.14	22.5	3.75	24.0	4.08	25.5	4.41	28.7	5.12	31.9	5.90
	29	16.2	2.74	19.3	3.33	22.5	3.99	24.0	4.33	25.5	4.69	28.7	5.47	31.9	6.30
	31	16.2	2.91	19.3	3.54	22.5	4.23	24.0	4.61	25.5	4.99	28.7	5.81	31.9	6.70
	33	16.2	3.07	19.3	3.75	22.5	4.49	24.0	4.89	25.5	5.31	28.7	6.18	31.9	7.15
	35	16.2	3.26	19.3	3.97	22.5	4.76	24.0	5.19	25.5	5.64	28.7	6.59	31.9	7.61
	37	16.2	3.44	19.3	4.20	22.5	5.05	23.6	5.51	25.5	5.98	28.7	7.00	31.9	8.09
	39	16.2	3.63	19.3	4.45	22.5	5.35	23.3	5.84	25.5	6.36	28.7	7.43	31.9	8.61
41	15.3	4.10	18.3	5.01	21.3	6.00	22.8	6.03	24.3	6.54	27.3	7.64	30.4	8.82	
44	14.3	4.46	17.4	5.45	20.3	6.67	21.8	6.81	23.3	7.05	26.3	8.04	29.3	9.28	
47	13.4	5.94	16.8	7.25	19.7	7.00	21.1	6.91	22.5	7.50	25.4	8.63	28.4	9.96	
50	12.3	5.83	15.0	7.12	17.5	7.38	18.8	8.00	20.0	8.23	22.7	9.35	25.5	10.50	
52	9.3	4.92	11.2	6.00	13.1	6.29	14.2	6.81	15.3	7.22	18.1	8.23	20.7	9.13	

Combination	Outdoor air temp. (°CDB)	Indoor air temp.													
		14.0°CWB		16.0°CWB		18.0°CWB		19.0°CWB		20.0°CWB		22.0°CWB		24.0°CWB	
		20.0°CDB		23.0°CDB		26.0°CDB		27.0°CDB		28.0°CDB		30.0°CDB		32.0°CDB	
		TC	PI	TC	PI	TC	PI	TC	PI	TC	PI	TC	PI	TC	PI
50%	-5	13.5	1.45	16.7	1.73	21.9	2.05	23.9	2.22	25.5	2.40	28.6	2.77	31.8	3.17
	0	13.5	1.45	16.7	1.74	21.9	2.05	23.9	2.22	25.5	2.40	28.6	2.78	31.8	3.18
	4	13.5	1.46	16.7	1.74	21.9	2.06	23.9	2.23	25.5	2.41	28.6	2.79	31.8	3.19
	7	13.5	1.48	16.7	1.78	21.9	2.10	23.9	2.27	25.5	2.45	28.3	2.84	31.3	3.25
	10	13.5	1.92	16.1	2.22	18.7	2.54	20.0	2.71	21.3	2.87	23.9	3.23	26.6	3.60
	12	13.5	1.94	16.1	2.25	18.7	2.58	20.0	2.74	21.3	2.93	23.9	3.29	26.6	3.66
	14	13.5	1.97	16.1	2.28	18.7	2.61	20.0	2.80	21.3	2.97	23.9	3.34	26.6	3.73
	16	13.5	1.99	16.1	2.31	18.7	2.65	20.0	2.84	21.3	3.01	23.9	3.40	26.6	3.79
	18	13.5	2.02	16.1	2.35	18.7	2.70	20.0	2.88	21.3	3.07	23.9	3.46	26.6	3.86
	20	13.5	2.05	16.1	2.38	18.7	2.74	20.0	2.94	21.3	3.13	23.9	3.53	26.6	3.93
	21	13.5	2.07	16.1	2.41	18.7	2.77	20.0	2.96	21.3	3.16	23.9	3.56	26.6	3.97
	23	13.5	2.10	16.1	2.44	18.7	2.81	20.0	3.01	21.3	3.21	23.9	3.62	26.6	4.06
	25	13.5	2.12	16.1	2.48	18.7	2.87	20.0	3.07	21.3	3.31	23.9	3.80	26.6	4.33
	27	13.5	2.17	16.1	2.58	18.7	3.03	20.0	3.27	21.3	3.52	23.9	4.05	26.6	4.62
	29	13.5	2.28	16.1	2.73	18.7	3.21	20.0	3.47	21.2	3.75	23.9	4.31	26.6	4.92
	31	13.5	2.41	16.1	2.88	18.7	3.43	20.0	3.69	21.2	3.97	23.9	4.58	26.6	5.24
	33	13.5	2.55	16.1	3.06	18.7	3.62	20.0	3.90	21.2	4.22	23.9	4.86	26.6	5.57
	35	13.5	2.70	16.1	3.23	18.7	3.82	20.0	4.13	21.2	4.46	23.9	5.17	26.6	5.91
	37	13.5	2.84	16.1	3.42	18.7	4.05	19.6	4.38	21.2	4.74	23.9	5.48	26.6	6.29
	39	13.5	3.00	16.1	3.60	18.7	4.28	19.4	4.64	21.2	5.02	23.9	5.81	26.6	6.67
41	12.8	3.40	15.3	4.07	17.8	4.81	19.0	4.79	20.2	5.18	22.8	5.99	25.3	6.86	
44	11.9	3.70	14.5	4.42	16.9	5.34	18.2	5.41	19.4	5.58	21.9	6.30	24.4	7.21	
47	11.2	4.92	14.0	5.89	16.4	5.61	17.6	5.50	18.7	5.94	21.2	6.77	23.6	7.74	
50	10.3	4.83	12.5	5.78	14.6	5.92	15.7	6.36	16.7	6.52	18.9	7.34	21.3	8.16	
52	7.8	4.07	9.3	4.88	10.9	5.04	11.8	5.41	12.7	5.71	15.1	6.46	17.3	7.09	

GMV-450WM/B-X

TC—Total capacity of outdoor unit; PI—Power input of outdoor unit

Combination	Outdoor air temp. (°CDB)	Indoor air temp.													
		14.0°CWB		16.0°CWB		18.0°CWB		19.0°CWB		20.0°CWB		22.0°CWB		24.0°CWB	
		20.0°CDB		23.0°CDB		26.0°CDB		27.0°CDB		28.0°CDB		30.0°CDB		32.0°CDB	
		TC	PI	TC	PI	TC	PI	TC	PI	TC	PI	TC	PI	TC	PI
135%	-5	39.5	5.59	47.1	6.81	54.6	6.89	56.7	6.93	57.9	6.97	59.3	7.05	61.1	7.12
	0	39.5	5.60	47.1	6.82	54.6	6.91	56.7	6.94	57.9	6.98	59.3	7.06	61.1	7.14
	4	39.5	5.63	47.1	6.85	54.6	6.93	56.7	6.97	57.9	7.01	59.3	7.09	61.1	7.16
	7	39.5	5.73	47.1	6.98	54.6	7.06	56.7	7.10	57.9	7.14	58.8	7.22	60.3	7.30
	10	39.5	5.83	47.1	7.13	54.6	8.47	56.7	8.66	57.4	8.49	58.8	8.13	60.3	7.76
	12	39.5	5.93	47.1	7.26	54.6	8.64	55.9	8.61	56.7	8.44	58.0	8.06	59.5	7.95
	14	39.5	6.05	47.1	7.40	54.5	8.75	55.3	8.58	55.9	8.39	57.4	8.32	58.8	8.41
	16	39.5	6.16	47.1	7.55	53.8	8.71	54.5	8.64	55.1	8.68	56.6	8.76	58.0	8.85
	18	39.5	6.27	47.1	7.71	53.0	9.04	53.7	9.09	54.5	9.14	55.9	9.22	57.4	9.31
	20	39.5	6.41	47.1	8.20	52.2	9.48	53.0	9.53	53.7	9.58	55.1	9.67	56.6	9.77
	21	39.5	6.58	47.1	8.49	51.9	9.70	52.7	9.75	53.4	9.80	54.8	9.91	56.2	9.99
	23	39.5	7.06	47.1	9.10	51.3	10.14	51.9	10.20	52.6	10.25	54.0	10.35	55.4	10.45
	25	39.5	7.54	47.1	9.75	50.5	10.59	51.3	10.64	51.9	10.71	53.4	10.81	54.8	10.91
	27	39.5	8.05	47.1	10.43	49.8	9.33	50.5	11.10	51.1	11.15	52.6	11.27	54.0	11.39
	29	39.5	8.59	47.1	11.15	49.0	11.47	49.7	11.54	50.5	11.61	51.9	11.73	53.4	11.85
	31	39.5	9.17	46.9	11.80	48.2	11.94	49.0	12.00	49.7	12.05	51.1	12.19	52.6	12.33
	33	39.5	9.77	46.1	12.24	47.6	12.36	48.2	12.45	49.0	12.51	50.5	12.65	51.7	12.80
	35	39.5	10.42	45.3	12.69	46.8	12.84	47.6	12.91	48.2	12.98	49.7	13.13	51.1	13.26
	37	39.5	11.08	44.7	13.15	46.1	13.30	46.8	13.37	47.6	13.45	48.9	13.61	50.3	13.76
	39	39.5	11.80	43.9	13.59	45.3	13.74	46.1	13.83	46.8	13.91	48.2	14.07	49.7	14.24
41	37.4	13.13	43.1	15.98	44.4	16.18	45.2	14.97	45.9	15.05	47.3	15.23	48.7	15.39	
44	34.8	14.27	40.8	17.38	42.3	17.97	43.3	16.91	44.0	16.22	45.5	16.02	47.0	16.18	
47	32.8	18.99	39.4	23.13	40.9	18.87	41.8	17.17	42.4	17.26	43.9	17.20	45.5	17.38	
50	30.0	18.65	35.3	22.71	36.5	19.90	37.2	19.88	37.8	18.94	39.2	18.64	40.9	18.31	
52	22.8	15.73	26.3	19.15	27.4	16.95	28.1	16.91	28.9	16.61	31.3	16.41	33.2	15.92	

GMV5 DC Inverter VRF Units Technical Sales Guide

Combination	Outdoor air temp. (°CDB)	Indoor air temp.													
		14.0°CWB		16.0°CWB		18.0°CWB		19.0°CWB		20.0°CWB		22.0°CWB		24.0°CWB	
		20.0°CDB		23.0°CDB		26.0°CDB		27.0°CDB		28.0°CDB		30.0°CDB		32.0°CDB	
		TC	PI	TC	PI	TC	PI	TC	PI	TC	PI	TC	PI	TC	PI
		kW	kW	kW	kW	kW	kW	kW	kW	kW	kW	kW	kW	kW	
120%	-5	36.5	4.98	45.1	6.45	53.7	6.85	55.6	6.89	56.9	6.92	58.2	7.00	59.7	7.07
	0	36.5	4.99	45.1	6.46	53.7	6.86	55.6	6.90	56.9	6.93	58.2	7.01	59.7	7.08
	4	36.5	5.01	45.1	6.48	53.7	6.89	55.6	6.92	56.9	6.96	58.2	7.03	59.7	7.11
	7	36.5	5.10	45.1	6.60	53.7	7.01	55.6	7.05	56.9	7.09	57.7	7.16	58.9	7.24
	10	36.5	5.32	43.4	6.50	50.5	7.72	54.0	8.35	56.6	8.71	57.9	8.37	59.1	8.05
	12	36.5	5.42	43.4	6.62	50.5	7.88	54.0	8.51	55.8	8.66	57.1	8.34	58.3	8.00
	14	36.5	5.52	43.4	6.75	50.5	8.03	54.0	8.68	55.0	8.61	56.4	8.29	57.7	8.34
	16	36.5	5.63	43.4	6.89	50.5	8.18	53.7	8.75	54.3	8.63	55.6	8.71	56.9	8.78
	18	36.5	5.73	43.4	7.02	50.5	8.47	52.9	9.04	53.5	9.07	54.8	9.16	56.2	9.24
	20	36.5	5.85	43.4	7.30	50.5	9.10	52.2	9.48	52.9	9.51	54.2	9.60	55.4	9.68
	21	36.5	5.90	43.4	7.55	50.5	9.43	51.7	9.70	52.4	9.74	53.8	9.82	55.1	9.92
	23	36.5	6.31	43.4	8.10	50.5	10.09	51.1	10.13	51.7	10.18	53.0	10.28	54.3	10.37
	25	36.5	6.73	43.4	8.66	49.7	10.54	50.3	10.57	50.9	10.62	52.4	10.72	53.7	10.83
	27	36.5	7.20	43.4	9.26	49.0	10.96	49.7	11.03	50.3	11.08	51.6	11.18	52.9	11.29
	29	36.5	7.67	43.4	9.89	48.2	11.41	48.9	11.47	49.5	11.53	50.8	11.65	52.2	11.75
	31	36.5	8.18	43.4	10.55	47.6	11.87	48.2	11.92	48.9	11.99	50.1	12.11	51.4	12.22
	33	36.5	8.71	43.4	11.27	46.8	12.31	47.4	12.38	48.1	12.43	49.3	12.57	50.6	12.69
	35	36.5	9.28	43.4	12.00	46.0	12.75	46.6	12.82	47.4	12.89	48.7	13.03	50.0	13.16
	37	36.5	9.87	43.4	12.79	45.3	13.21	46.0	13.28	46.6	13.35	47.9	13.49	49.2	13.64
	39	36.5	10.50	43.2	13.50	44.5	13.66	45.2	13.74	45.8	13.81	47.2	13.96	48.5	14.10
41	34.5	11.69	41.2	15.12	43.7	16.07	44.3	14.87	45.1	14.95	46.4	15.11	47.6	15.27	
44	32.1	12.71	39.1	16.44	41.6	17.85	42.4	16.80	43.3	16.11	44.6	15.89	46.0	16.06	
47	30.3	16.91	37.8	21.88	40.2	18.75	40.9	17.05	41.7	17.14	43.1	17.06	44.5	17.24	
50	27.7	16.60	33.8	21.49	35.9	19.77	36.5	19.75	37.2	18.82	38.5	18.50	40.0	18.16	
52	21.0	14.01	25.2	18.12	26.9	16.83	27.5	16.80	28.4	16.50	30.7	16.28	32.5	15.80	

Combination	Outdoor air temp. (°CDB)	Indoor air temp.													
		14.0°CWB		16.0°CWB		18.0°CWB		19.0°CWB		20.0°CWB		22.0°CWB		24.0°CWB	
		20.0°CDB		23.0°CDB		26.0°CDB		27.0°CDB		28.0°CDB		30.0°CDB		32.0°CDB	
		TC	PI	TC	PI	TC	PI	TC	PI	TC	PI	TC	PI	TC	PI
		kW	kW	kW	kW	kW	kW	kW	kW	kW	kW	kW	kW	kW	
110%	-5	33.4	4.40	41.4	5.67	53.0	6.80	54.6	6.84	55.7	6.88	56.8	6.94	58.4	7.00
	0	33.4	4.41	41.4	5.68	53.0	6.82	54.6	6.85	55.7	6.89	56.8	6.95	58.4	7.02
	4	33.4	4.43	41.4	5.70	53.0	6.84	54.6	6.88	55.7	6.91	56.8	6.98	58.4	7.04
	7	33.4	4.51	41.4	5.80	53.0	6.97	54.6	7.00	55.7	7.04	56.3	7.11	57.6	7.17
	10	33.4	4.83	39.9	5.88	46.3	6.99	49.5	7.55	52.7	8.13	56.7	8.63	58.0	8.34
	12	33.4	4.93	39.9	6.00	46.3	7.13	49.5	7.71	52.7	8.29	56.1	8.59	57.2	8.29
	14	33.4	5.01	39.9	6.10	46.3	7.26	49.5	7.84	52.7	8.44	55.3	8.59	56.6	8.27
	16	33.4	5.10	39.9	6.22	46.3	7.40	49.5	8.00	52.7	8.61	54.6	8.64	55.8	8.73
	18	33.4	5.20	39.9	6.34	46.3	7.55	49.5	8.22	52.7	9.02	53.8	9.09	55.1	9.17
	20	33.4	5.30	39.9	6.48	46.3	8.00	49.5	8.83	51.9	9.46	53.2	9.53	54.3	9.62
	21	33.4	5.35	39.9	6.67	46.3	8.29	49.5	9.16	51.6	9.68	52.7	9.75	54.0	9.84
	23	33.4	5.61	39.9	7.14	46.3	8.88	49.5	9.82	50.8	10.11	52.1	10.21	53.2	10.30
	25	33.4	5.97	39.9	7.64	46.3	9.50	49.5	10.52	50.1	10.55	51.3	10.66	52.6	10.74
	27	33.4	6.38	39.9	8.17	46.3	10.16	48.7	10.96	49.3	11.00	50.6	11.10	51.7	11.20
	29	33.4	6.80	39.9	8.71	46.3	10.86	48.1	11.41	48.7	11.46	49.8	11.56	51.1	11.66
	31	33.4	7.25	39.9	9.29	46.3	11.59	47.2	11.85	47.9	11.90	49.2	12.00	50.3	12.12
	33	33.4	7.71	39.9	9.91	46.0	12.22	46.6	12.29	47.2	12.34	48.4	12.46	49.7	12.58
	35	33.4	8.20	39.9	10.55	45.3	12.67	45.8	12.74	46.4	12.80	47.6	12.92	48.9	13.04
	37	33.4	8.73	39.9	11.24	44.5	13.13	45.2	13.18	45.6	13.25	46.9	13.38	48.1	13.50
	39	33.4	9.28	39.9	11.97	43.7	13.57	44.4	13.64	45.0	13.71	46.1	13.84	47.4	13.98
41	31.6	10.33	37.9	13.30	43.1	15.96	43.5	14.77	44.2	14.85	45.3	14.99	46.6	15.13	
44	29.4	11.24	35.9	14.46	41.0	17.74	41.7	16.68	42.4	16.01	43.6	15.77	44.9	15.91	
47	27.7	14.95	34.7	19.24	39.7	18.62	40.2	16.94	40.9	17.03	42.1	16.93	43.5	17.09	
50	25.4	14.68	31.1	18.89	35.4	19.64	35.9	19.61	36.5	18.69	37.6	18.35	39.1	18.00	
52	19.3	12.38	23.1	15.94	26.5	16.72	27.0	16.68	27.9	16.39	30.0	16.15	31.8	15.65	

Combination	Outdoor air temp. (°CDB)	Indoor air temp.													
		14.0°CWB		16.0°CWB		18.0°CWB		19.0°CWB		20.0°CWB		22.0°CWB		24.0°CWB	
		20.0°CDB		23.0°CDB		26.0°CDB		27.0°CDB		28.0°CDB		30.0°CDB		32.0°CDB	
	TC	PI	TC	PI	TC	PI	TC	PI	TC	PI	TC	PI	TC	PI	
	kW	kW	kW	kW	kW	kW	kW	kW	kW	kW	kW	kW	kW	kW	
100%	-5	30.4	3.85	37.6	4.93	49.2	6.15	53.7	6.79	54.6	6.83	55.6	6.89	57.0	6.95
	0	30.4	3.86	37.6	4.94	49.2	6.16	53.7	6.81	54.6	6.84	55.6	6.90	57.0	6.96
	4	30.4	3.87	37.6	4.96	49.2	6.18	53.7	6.83	54.6	6.87	55.6	6.93	57.0	6.99
	7	30.4	3.94	37.6	5.05	49.2	6.30	53.7	6.96	54.6	6.99	55.2	7.06	56.2	7.12
	10	30.4	4.37	36.2	5.30	42.1	6.27	45.0	6.77	47.9	7.31	53.8	8.28	56.9	8.60
	12	30.4	4.42	36.2	5.37	42.1	6.35	45.0	6.86	47.9	7.45	53.8	8.42	56.1	8.53
	14	30.4	4.50	36.2	5.47	42.1	6.46	45.0	6.99	47.9	7.59	53.8	8.57	55.4	8.47
	16	30.4	4.60	36.2	5.59	42.1	6.61	45.0	7.14	47.9	7.76	53.6	8.76	54.6	8.66
	18	30.4	4.70	36.2	5.71	42.1	6.74	45.0	7.28	47.9	7.91	52.9	8.93	54.0	9.06
	20	30.4	4.78	36.2	5.80	42.1	6.96	45.0	7.67	47.9	8.42	52.1	9.40	53.2	9.54
	21	30.4	4.82	36.2	5.86	42.1	7.20	45.0	7.93	47.9	8.70	51.7	9.72	52.9	9.81
	23	30.4	4.95	36.2	6.26	42.1	7.74	45.0	8.52	47.9	9.36	51.1	10.28	52.1	10.38
	25	30.4	5.26	36.2	6.66	42.1	8.23	45.0	9.07	47.9	10.01	50.3	10.66	51.4	10.75
	27	30.4	5.62	36.2	7.12	42.1	8.83	45.0	9.73	47.9	10.74	49.5	11.03	50.6	11.13
	29	30.4	5.96	36.2	7.60	42.1	9.45	45.0	10.41	47.7	11.38	48.8	11.56	49.9	11.67
	31	30.4	6.34	36.2	8.10	42.1	10.07	45.0	11.21	47.1	11.84	47.7	12.03	49.2	12.14
	33	30.4	6.74	36.2	8.62	42.1	10.74	45.0	11.87	46.3	12.27	47.5	12.38	48.5	12.49
	35	30.4	7.17	36.2	9.18	42.1	11.45	45.0	12.65	45.5	12.71	46.6	12.83	47.7	12.94
	37	30.4	7.64	36.2	9.78	42.1	12.19	44.2	13.11	44.9	13.17	45.9	13.26	47.0	13.38
	39	30.4	8.13	36.2	10.41	42.1	12.99	43.6	13.54	43.8	13.61	45.3	13.70	45.9	13.83
41	28.7	9.04	34.4	11.57	40.0	14.43	42.8	14.68	43.3	14.75	44.3	14.88	45.5	15.02	
44	26.7	9.82	32.5	12.58	38.1	16.03	40.9	16.57	41.5	15.89	42.7	15.65	43.9	15.79	
47	25.2	13.07	31.5	16.74	36.8	16.83	39.5	16.83	40.0	16.91	41.2	16.81	42.5	16.96	
50	23.1	12.84	28.2	16.44	32.9	17.75	35.2	19.48	35.7	18.56	36.8	18.22	38.2	17.86	
52	17.5	10.83	21.0	13.87	24.6	15.11	26.5	16.57	27.3	16.27	29.3	16.04	31.0	15.53	

Combination	Outdoor air temp. (°CDB)	Indoor air temp.													
		14.0°CWB		16.0°CWB		18.0°CWB		19.0°CWB		20.0°CWB		22.0°CWB		24.0°CWB	
		20.0°CDB		23.0°CDB		26.0°CDB		27.0°CDB		28.0°CDB		30.0°CDB		32.0°CDB	
	TC	PI	TC	PI	TC	PI	TC	PI	TC	PI	TC	PI	TC	PI	
	kW	kW	kW	kW	kW	kW	kW	kW	kW	kW	kW	kW	kW	kW	
90%	-5	27.3	3.36	33.8	4.25	44.3	5.25	48.3	5.80	51.7	6.38	54.5	6.83	55.7	6.89
	0	27.3	3.37	33.8	4.26	44.3	5.26	48.3	5.81	51.7	6.39	54.5	6.84	55.7	6.90
	4	27.3	3.38	33.8	4.28	44.3	5.28	48.3	5.83	51.7	6.42	54.5	6.87	55.7	6.93
	7	27.3	3.44	33.8	4.36	44.3	5.38	48.3	5.94	51.7	6.54	54.1	6.99	55.0	7.06
	10	27.3	3.81	32.5	4.57	37.9	5.36	40.5	6.03	43.1	6.42	48.4	7.36	53.7	8.34
	12	27.3	3.86	32.5	4.63	37.9	5.43	40.5	6.11	43.1	6.55	48.4	7.49	53.7	8.45
	14	27.3	3.93	32.5	4.71	37.9	5.52	40.5	6.21	43.1	6.66	48.4	7.62	53.7	8.59
	16	27.3	4.01	32.5	4.82	37.9	5.64	40.5	6.35	43.1	6.81	48.4	7.79	53.5	8.75
	18	27.3	4.10	32.5	4.93	37.9	5.75	40.5	6.47	43.1	6.94	48.4	7.97	53.0	9.07
	20	27.3	4.17	32.5	5.00	37.9	5.94	40.5	6.60	43.1	7.23	48.4	8.56	52.1	9.45
	21	27.3	4.21	32.5	5.05	37.9	6.15	40.5	6.82	43.1	7.48	48.4	8.86	51.7	9.66
	23	27.3	4.32	32.5	5.40	37.9	6.61	40.5	7.34	43.1	8.01	48.4	9.51	50.9	10.16
	25	27.3	4.59	32.5	5.74	37.9	7.03	40.5	7.83	43.1	8.57	48.4	10.17	50.3	10.57
	27	27.3	4.91	32.5	6.14	37.9	7.54	40.5	8.35	43.1	9.17	48.4	10.86	49.5	11.03
	29	27.3	5.20	32.5	6.56	37.9	8.07	40.5	8.93	43.1	9.79	47.9	11.38	48.9	11.48
	31	27.3	5.53	32.5	6.98	37.9	8.60	40.5	9.53	43.1	10.45	47.1	11.79	48.1	11.95
	33	27.3	5.88	32.5	7.44	37.9	9.17	40.5	10.13	43.1	11.11	46.4	12.27	47.4	12.38
	35	27.3	6.26	32.5	7.92	37.9	9.78	40.5	10.80	43.1	11.88	45.6	12.72	46.6	12.83
	37	27.3	6.66	32.5	8.43	37.9	10.41	39.8	11.19	43.1	12.72	44.8	13.17	46.0	13.14
	39	27.3	7.10	32.5	8.98	37.9	11.09	39.2	11.56	43.1	13.48	44.2	13.66	45.2	13.62
41	25.8	7.88	30.9	9.98	36.0	12.32	38.5	12.53	41.0	13.79	43.5	14.75	44.4	14.88	
44	24.1	8.57	29.3	10.85	34.3	13.69	36.9	14.15	39.3	14.86	41.8	15.51	42.9	15.65	
47	22.7	11.41	28.3	14.44	33.2	14.37	35.6	14.37	37.9	15.81	40.4	16.66	41.5	16.81	
50	20.8	11.20	25.4	14.18	29.6	15.16	31.7	16.64	33.8	17.35	36.1	18.06	37.3	17.71	
52	15.7	9.45	18.9	11.96	22.2	12.91	23.9	14.15	25.9	15.21	28.8	15.90	30.3	15.40	

GMV5 DC Inverter VRF Units Technical Sales Guide

Combination	Outdoor air temp. (°CDB)	Indoor air temp.													
		14.0°CWB		16.0°CWB		18.0°CWB		19.0°CWB		20.0°CWB		22.0°CWB		24.0°CWB	
		20.0°CDB		23.0°CDB		26.0°CDB		27.0°CDB		28.0°CDB		30.0°CDB		32.0°CDB	
		TC	PI	TC	PI	TC	PI	TC	PI	TC	PI	TC	PI	TC	PI
		kW	kW	kW	kW	kW	kW	kW	kW	kW	kW	kW	kW	kW	
80%	-5	24.3	2.90	30.1	3.58	39.4	4.45	42.9	4.90	45.8	5.35	51.4	6.35	54.3	6.81
	0	24.3	2.91	30.1	3.59	39.4	4.46	42.9	4.91	45.8	5.36	51.4	6.37	54.3	6.82
	4	24.3	2.92	30.1	3.60	39.4	4.47	42.9	4.93	45.8	5.38	51.4	6.39	54.3	6.85
	7	24.3	2.97	30.1	3.67	39.4	4.56	42.9	5.02	45.8	5.48	51.0	6.51	53.6	6.97
	10	24.3	3.46	28.9	4.14	33.7	4.88	36.0	5.25	38.3	5.62	43.1	6.42	47.7	7.46
	12	24.3	3.51	28.9	4.21	33.7	4.96	36.0	5.35	38.3	5.73	43.1	6.54	47.7	7.40
	14	24.3	3.58	28.9	4.30	33.7	5.05	36.0	5.44	38.3	5.84	43.1	6.65	47.7	7.57
	16	24.3	3.63	28.9	4.36	33.7	5.15	36.0	5.54	38.3	5.93	43.1	6.80	47.7	7.84
	18	24.3	3.70	28.9	4.45	33.7	5.27	36.0	5.66	38.3	6.04	43.1	6.95	47.7	8.39
	20	24.3	3.77	28.9	4.54	33.7	5.35	36.0	5.76	38.3	6.18	43.1	7.20	47.7	8.69
	21	24.3	3.80	28.9	4.57	33.7	5.40	36.0	5.83	38.3	6.32	43.1	7.46	47.7	9.30
	23	24.3	3.87	28.9	4.67	33.7	5.66	36.0	6.21	38.3	6.75	43.1	7.98	47.7	9.95
	25	24.3	3.99	28.9	4.96	33.7	6.05	36.0	6.63	38.3	7.21	43.1	8.55	47.7	10.62
	27	24.3	4.25	28.9	5.29	33.7	6.44	36.0	7.08	38.3	7.73	43.1	9.12	47.7	10.99
	29	24.3	4.52	28.9	5.63	33.7	6.87	36.0	7.54	38.2	8.25	43.1	9.74	47.7	11.39
	31	24.3	4.79	28.9	5.98	33.7	7.31	36.0	8.03	38.2	8.79	43.1	10.39	46.9	11.81
	33	24.3	5.10	28.9	6.67	33.7	7.79	36.0	8.56	38.2	9.36	43.1	11.09	46.3	12.24
	35	24.3	5.40	28.9	6.67	33.7	8.29	36.0	9.12	38.2	9.97	43.1	11.83	45.5	12.68
	37	24.3	5.73	28.9	7.18	33.7	8.81	35.4	9.71	38.2	10.62	43.1	12.60	44.8	13.15
	39	24.3	6.07	28.9	7.62	33.7	9.38	34.9	10.35	38.2	11.31	43.1	13.42	44.0	13.63
41	23.0	6.81	27.5	8.40	32.0	10.44	34.2	10.58	36.3	11.56	41.0	13.73	43.3	14.71	
44	21.4	7.40	26.0	9.13	30.5	11.60	32.8	11.95	34.9	12.46	39.4	14.44	41.8	15.47	
47	20.2	9.85	25.2	12.15	29.5	12.18	31.6	12.13	33.6	13.26	38.1	15.50	40.5	16.61	
50	18.5	9.67	22.6	11.93	26.3	12.84	28.2	14.05	30.0	14.56	34.0	16.80	36.4	17.50	
52	14.0	8.16	16.8	10.07	19.7	10.94	21.2	11.95	22.9	12.76	27.1	14.79	29.6	15.21	

Combination	Outdoor air temp. (°CDB)	Indoor air temp.													
		14.0°CWB		16.0°CWB		18.0°CWB		19.0°CWB		20.0°CWB		22.0°CWB		24.0°CWB	
		20.0°CDB		23.0°CDB		26.0°CDB		27.0°CDB		28.0°CDB		30.0°CDB		32.0°CDB	
		TC	PI	TC	PI	TC	PI	TC	PI	TC	PI	TC	PI	TC	PI
		kW	kW	kW	kW	kW	kW	kW	kW	kW	kW	kW	kW	kW	
70%	-5	21.3	2.47	26.3	3.06	34.4	3.71	37.6	4.07	40.2	4.43	45.0	5.22	49.9	6.07
	0	21.3	2.48	26.3	3.06	34.4	3.72	37.6	4.07	40.2	4.44	45.0	5.23	49.9	6.08
	4	21.3	2.49	26.3	3.08	34.4	3.73	37.6	4.09	40.2	4.46	45.0	5.25	49.9	6.10
	7	21.3	2.53	26.3	3.13	34.4	3.80	37.6	4.16	40.2	4.54	44.6	5.35	49.3	6.22
	10	21.3	3.05	25.3	3.61	29.5	4.21	31.5	4.54	33.5	4.86	37.7	5.52	41.8	6.21
	12	21.3	3.09	25.3	3.67	29.5	4.30	31.5	4.62	33.5	4.94	37.7	5.63	41.8	6.33
	14	21.3	3.14	25.3	3.73	29.5	4.36	31.5	4.69	33.5	5.03	37.7	5.73	41.8	6.44
	16	21.3	3.19	25.3	3.80	29.5	4.45	31.5	4.79	33.5	5.13	37.7	5.83	41.8	6.56
	18	21.3	3.24	25.3	3.87	29.5	4.54	31.5	4.88	33.5	5.22	37.7	5.95	41.8	6.70
	20	21.3	3.29	25.3	3.94	29.5	4.62	31.5	4.96	33.5	5.32	37.7	6.07	41.8	6.89
	21	21.3	3.32	25.3	3.97	29.5	4.65	31.5	5.01	33.5	5.37	37.7	6.14	41.8	7.13
	23	21.3	3.38	25.3	4.04	29.5	4.76	31.5	5.18	33.5	5.64	37.7	6.60	41.8	7.64
	25	21.3	3.44	25.3	4.21	29.5	5.06	31.5	5.54	33.5	6.02	37.7	7.06	41.8	8.17
	27	21.3	3.65	25.3	4.48	29.5	5.40	31.5	5.90	33.5	6.43	37.7	7.54	41.8	8.73
	29	21.3	3.87	25.3	4.76	29.5	5.75	31.5	6.29	33.5	6.84	37.7	8.03	41.8	9.33
	31	21.3	4.09	25.3	5.05	29.5	6.12	31.5	6.68	33.5	7.28	37.7	8.56	41.8	9.94
	33	21.3	4.35	25.3	5.37	29.5	6.51	31.5	7.11	33.5	7.76	37.7	9.12	41.8	10.61
	35	21.3	4.60	25.3	5.69	29.5	6.91	31.5	7.57	33.5	8.25	37.7	9.72	41.8	11.30
	37	21.3	4.86	25.3	6.04	29.5	7.35	30.9	8.05	33.5	8.78	37.7	10.35	41.8	12.04
	39	21.3	5.15	25.3	6.39	29.5	7.79	30.5	8.54	33.5	9.33	37.7	11.00	41.8	12.82
41	20.1	5.80	24.0	7.18	28.0	8.70	29.9	8.78	31.9	9.57	35.9	11.27	39.8	13.11	
44	18.7	6.31	22.8	7.80	26.7	9.67	28.7	9.92	30.6	10.32	34.5	11.86	38.4	13.79	
47	17.6	8.39	22.0	10.38	25.8	10.15	27.7	10.07	29.5	10.98	33.3	12.73	37.2	14.81	
50	16.2	8.24	19.7	10.19	23.0	10.70	24.7	11.66	26.3	12.05	29.8	13.80	33.4	15.60	
52	12.2	6.95	14.7	8.60	17.2	9.11	18.6	9.92	20.1	10.56	23.7	12.15	27.2	13.56	

Combination	Outdoor air temp. (°CDB)	Indoor air temp.													
		14.0°CWB		16.0°CWB		18.0°CWB		19.0°CWB		20.0°CWB		22.0°CWB		24.0°CWB	
		TC	PI	TC	PI	TC	PI	TC	PI	TC	PI	TC	PI	TC	PI
60%	-5	18.2	2.08	22.5	2.54	29.5	3.04	32.2	3.31	34.5	3.60	38.6	4.20	42.8	4.85
	0	18.2	2.08	22.5	2.54	29.5	3.05	32.2	3.32	34.5	3.60	38.6	4.21	42.8	4.86
	4	18.2	2.09	22.5	2.55	29.5	3.06	32.2	3.33	34.5	3.62	38.6	4.23	42.8	4.88
	7	18.2	2.13	22.5	2.60	29.5	3.11	32.2	3.39	34.5	3.69	38.2	4.30	42.3	4.97
	10	18.2	2.64	21.7	3.10	25.3	3.60	27.0	3.85	28.7	4.11	32.3	4.65	35.8	5.22
	12	18.2	2.69	21.7	3.15	25.3	3.67	27.0	3.92	28.7	4.18	32.3	4.74	35.8	5.30
	14	18.2	2.73	21.7	3.21	25.3	3.72	27.0	3.99	28.7	4.26	32.3	4.83	35.8	5.40
	16	18.2	2.76	21.7	3.26	25.3	3.79	27.0	4.06	28.7	4.33	32.3	4.91	35.8	5.51
	18	18.2	2.81	21.7	3.31	25.3	3.85	27.0	4.13	28.7	4.42	32.3	5.00	35.8	5.61
	20	18.2	2.85	21.7	3.38	25.3	3.92	27.0	4.21	28.7	4.50	32.3	5.10	35.8	5.73
	21	18.2	2.88	21.7	3.39	25.3	3.96	27.0	4.25	28.7	4.54	32.3	5.15	35.8	5.78
	23	18.2	2.92	21.7	3.46	25.3	4.02	27.0	4.33	28.7	4.62	32.3	5.35	35.8	6.16
	25	18.2	2.97	21.7	3.53	25.3	4.18	27.0	4.54	28.7	4.91	32.3	5.71	35.8	6.56
	27	18.2	3.09	21.7	3.73	25.3	4.45	27.0	4.84	28.7	5.23	32.3	6.09	35.8	7.01
	29	18.2	3.26	21.7	3.96	25.3	4.74	27.0	5.15	28.7	5.58	32.3	6.50	35.8	7.48
	31	18.2	3.46	21.7	4.21	25.3	5.03	27.0	5.47	28.7	5.93	32.3	6.91	35.8	7.96
	33	18.2	3.65	21.7	4.45	25.3	5.34	27.0	5.81	28.7	6.31	32.3	7.35	35.8	8.49
	35	18.2	3.87	21.7	4.72	25.3	5.66	27.0	6.17	28.7	6.70	32.3	7.83	35.8	9.04
	37	18.2	4.09	21.7	5.00	25.3	6.00	26.5	6.55	28.7	7.11	32.3	8.32	35.8	9.62
	39	18.2	4.31	21.7	5.29	25.3	6.36	26.2	6.94	28.7	7.55	32.3	8.83	35.8	10.23
41	17.2	4.88	20.6	5.95	24.0	7.13	25.7	7.16	27.3	7.77	30.7	9.08	34.2	10.48	
44	16.0	5.30	19.5	6.47	22.9	7.92	24.6	8.09	26.2	8.38	29.6	9.55	33.0	11.02	
47	15.1	7.06	18.9	8.61	22.1	8.32	23.7	8.21	25.3	8.91	28.6	10.25	31.9	11.84	
50	13.9	6.93	16.9	8.45	19.7	8.77	21.1	9.51	22.6	9.78	25.5	11.11	28.7	12.47	
52	10.5	5.84	12.6	7.13	14.8	7.47	15.9	8.09	17.2	8.58	20.3	9.78	23.3	10.84	

Combination	Outdoor air temp. (°CDB)	Indoor air temp.													
		14.0°CWB		16.0°CWB		18.0°CWB		19.0°CWB		20.0°CWB		22.0°CWB		24.0°CWB	
		TC	PI	TC	PI	TC	PI	TC	PI	TC	PI	TC	PI	TC	PI
50%	-5	15.2	1.72	18.8	2.06	24.6	2.44	26.8	2.64	28.6	2.85	32.1	3.30	35.7	3.77
	0	15.2	1.72	18.8	2.06	24.6	2.44	26.8	2.64	28.6	2.85	32.1	3.30	35.7	3.78
	4	15.2	1.73	18.8	2.07	24.6	2.45	26.8	2.65	28.6	2.86	32.1	3.31	35.7	3.79
	7	15.2	1.76	18.8	2.11	24.6	2.49	26.8	2.70	28.6	2.92	31.9	3.38	35.2	3.86
	10	15.2	2.28	18.1	2.64	21.1	3.02	22.5	3.22	23.9	3.41	26.9	3.84	29.9	4.28
	12	15.2	2.30	18.1	2.68	21.1	3.07	22.5	3.26	23.9	3.48	26.9	3.90	29.9	4.35
	14	15.2	2.34	18.1	2.71	21.1	3.10	22.5	3.32	23.9	3.53	26.9	3.97	29.9	4.43
	16	15.2	2.37	18.1	2.75	21.1	3.15	22.5	3.38	23.9	3.58	26.9	4.04	29.9	4.50
	18	15.2	2.40	18.1	2.80	21.1	3.21	22.5	3.43	23.9	3.65	26.9	4.11	29.9	4.59
	20	15.2	2.44	18.1	2.83	21.1	3.26	22.5	3.50	23.9	3.72	26.9	4.19	29.9	4.67
	21	15.2	2.46	18.1	2.86	21.1	3.29	22.5	3.51	23.9	3.75	26.9	4.23	29.9	4.72
	23	15.2	2.49	18.1	2.90	21.1	3.34	22.5	3.58	23.9	3.82	26.9	4.30	29.9	4.83
	25	15.2	2.52	18.1	2.95	21.1	3.41	22.5	3.65	23.9	3.94	26.9	4.37	29.9	4.94
	27	15.2	2.57	18.1	3.07	21.1	3.60	22.5	3.89	23.9	4.18	26.9	4.61	29.9	5.15
	29	15.2	2.71	18.1	3.24	21.1	3.82	22.5	4.13	23.9	4.45	26.9	5.12	29.9	5.85
	31	15.2	2.86	18.1	3.43	21.1	4.07	22.5	4.38	23.9	4.72	26.9	5.44	29.9	6.22
	33	15.2	3.03	18.1	3.63	21.1	4.30	22.5	4.64	23.9	5.01	26.9	5.78	29.9	6.62
	35	15.2	3.21	18.1	3.84	21.1	4.54	22.5	4.91	23.9	5.30	26.9	6.14	29.9	7.02
	37	15.2	3.38	18.1	4.06	21.1	4.81	22.1	5.20	23.9	5.63	26.9	6.51	29.9	7.47
	39	15.2	3.56	18.1	4.28	21.1	5.08	21.8	5.51	23.9	5.97	26.9	6.91	29.9	7.93
41	14.4	4.04	17.2	4.83	20.0	5.71	21.4	5.70	22.7	6.15	25.6	7.12	28.5	8.15	
44	13.4	4.39	16.3	5.26	19.1	6.35	20.5	6.43	21.8	6.63	24.6	7.49	27.5	8.57	
47	12.6	5.84	15.7	6.99	18.4	6.67	19.8	6.53	21.0	7.05	23.8	8.04	26.6	9.20	
50	11.5	5.74	14.1	6.87	16.4	7.03	17.6	7.56	18.7	7.74	21.3	8.72	23.9	9.69	
52	8.7	4.84	10.5	5.79	12.3	5.99	13.3	6.43	14.3	6.79	17.0	7.67	19.4	8.43	

GMV5 DC Inverter VRF Units Technical Sales Guide

GMV-504WM/B-X

TC—Total capacity of outdoor unit; PI—Power input of outdoor unit

Combination	Outdoor air temp. (°CDB)	Indoor air temp.													
		14.0°CWB		16.0°CWB		18.0°CWB		19.0°CWB		20.0°CWB		22.0°CWB		24.0°CWB	
		20.0°CDB		23.0°CDB		26.0°CDB		27.0°CDB		28.0°CDB		30.0°CDB		32.0°CDB	
		TC	PI	TC	PI	TC	PI	TC	PI	TC	PI	TC	PI	TC	PI
135%	-5	44.3	6.28	52.7	7.65	61.2	7.74	63.5	7.78	64.8	7.82	66.4	7.91	68.4	8.00
	0	44.3	6.29	52.7	7.66	61.2	7.75	63.5	7.80	64.8	7.84	66.4	7.93	68.4	8.01
	4	44.3	6.32	52.7	7.69	61.2	7.78	63.5	7.82	64.8	7.87	66.4	7.96	68.4	8.04
	7	44.3	6.43	52.7	7.83	61.2	7.93	63.5	7.97	64.8	8.01	65.9	8.11	67.5	8.19
	10	44.3	6.55	52.7	8.00	61.2	9.51	63.5	9.72	64.3	9.53	65.9	9.13	67.5	8.71
	12	44.3	6.66	52.7	8.15	61.2	9.70	62.6	9.67	63.5	9.47	65.0	9.05	66.6	8.92
	14	44.3	6.79	52.7	8.31	61.0	9.82	61.9	9.63	62.6	9.42	64.3	9.34	65.9	9.44
	16	44.3	6.91	52.7	8.48	60.3	9.78	61.0	9.70	61.7	9.74	63.4	9.84	65.0	9.93
	18	44.3	7.04	52.7	8.65	59.4	10.14	60.1	10.20	61.0	10.26	62.6	10.35	64.3	10.45
	20	44.3	7.20	52.7	9.21	58.5	10.64	59.4	10.70	60.1	10.76	61.7	10.85	63.4	10.97
	21	44.3	7.39	52.7	9.53	58.1	10.89	59.0	10.95	59.8	11.01	61.4	11.12	63.0	11.22
	23	44.3	7.92	52.7	10.22	57.4	11.39	58.1	11.45	58.9	11.50	60.5	11.62	62.1	11.73
	25	44.3	8.46	52.7	10.95	56.5	11.89	57.4	11.94	58.1	12.02	59.8	12.13	61.4	12.25
	27	44.3	9.03	52.7	11.71	55.8	12.47	56.5	12.46	57.2	12.52	58.9	12.65	60.5	12.79
	29	44.3	9.65	52.7	12.52	54.9	12.88	55.6	12.96	56.5	13.03	58.1	13.17	59.8	13.30
	31	44.3	10.30	52.6	13.24	54.0	13.40	54.9	13.47	55.6	13.53	57.2	13.69	58.9	13.84
	33	44.3	10.97	51.7	13.74	53.3	13.88	54.0	13.97	54.9	14.05	56.5	14.20	58.0	14.37
	35	44.3	11.69	50.8	14.24	52.4	14.41	53.3	14.49	54.0	14.57	55.6	14.74	57.2	14.89
	37	44.3	12.44	50.0	14.76	51.7	14.93	52.4	15.01	53.3	15.10	54.7	15.27	56.3	15.45
	39	44.3	13.24	49.1	15.25	50.8	15.43	51.7	15.52	52.4	15.62	54.0	15.79	55.6	15.98
41	41.8	14.74	48.2	17.94	49.8	18.16	50.6	16.81	51.4	16.90	53.0	17.10	54.5	17.27	
44	39.0	16.02	45.7	19.51	47.4	20.18	48.5	18.98	49.3	18.21	50.9	17.98	52.7	18.17	
47	36.8	21.32	44.2	25.96	45.8	21.19	46.8	19.27	47.5	19.37	49.2	19.31	50.9	19.51	
50	33.7	20.93	39.6	25.49	40.9	22.34	41.7	22.31	42.4	21.27	43.9	20.93	45.8	20.55	
52	25.5	17.66	29.4	21.50	30.6	19.02	31.4	18.98	32.4	18.64	35.0	18.42	37.2	17.87	

Combination	Outdoor air temp. (°CDB)	Indoor air temp.													
		14.0°CWB		16.0°CWB		18.0°CWB		19.0°CWB		20.0°CWB		22.0°CWB		24.0°CWB	
		20.0°CDB		23.0°CDB		26.0°CDB		27.0°CDB		28.0°CDB		30.0°CDB		32.0°CDB	
		TC	PI	TC	PI	TC	PI	TC	PI	TC	PI	TC	PI	TC	PI
120%	-5	40.9	5.59	50.5	7.24	60.1	7.69	62.3	7.73	63.7	7.77	65.1	7.85	66.9	7.93
	0	40.9	5.60	50.5	7.25	60.1	7.70	62.3	7.74	63.7	7.78	65.1	7.87	66.9	7.95
	4	40.9	5.62	50.5	7.28	60.1	7.73	62.3	7.77	63.7	7.81	65.1	7.90	66.9	7.98
	7	40.9	5.73	50.5	7.41	60.1	7.87	62.3	7.92	63.7	7.96	64.6	8.04	66.0	8.13
	10	40.9	5.97	48.6	7.29	56.5	8.67	60.5	9.38	63.4	9.78	64.8	9.40	66.2	9.03
	12	40.9	6.09	48.6	7.43	56.5	8.84	60.5	9.55	62.5	9.72	63.9	9.36	65.3	8.98
	14	40.9	6.20	48.6	7.58	56.5	9.01	60.5	9.74	61.6	9.67	63.2	9.30	64.6	9.36
	16	40.9	6.32	48.6	7.73	56.5	9.19	60.1	9.82	60.8	9.68	62.3	9.78	63.7	9.86
	18	40.9	6.43	48.6	7.89	56.5	9.51	59.2	10.14	59.9	10.18	61.4	10.28	63.0	10.37
	20	40.9	6.57	48.6	8.19	56.5	10.22	58.5	10.64	59.2	10.68	60.7	10.78	62.1	10.87
	21	40.9	6.62	48.6	8.48	56.5	10.58	58.0	10.89	58.7	10.93	60.3	11.02	61.7	11.14
	23	40.9	7.08	48.6	9.09	56.5	11.33	57.2	11.37	58.0	11.43	59.4	11.54	60.8	11.64
	25	40.9	7.56	48.6	9.72	55.6	11.83	56.3	11.87	57.1	11.92	58.7	12.04	60.1	12.15
	27	40.9	8.08	48.6	10.39	54.9	12.31	55.6	12.38	56.3	12.44	57.8	12.56	59.2	12.67
	29	40.9	8.61	48.6	11.10	54.0	12.80	54.7	12.88	55.4	12.94	56.9	13.07	58.5	13.19
	31	40.9	9.19	48.6	11.85	53.3	13.32	54.0	13.38	54.7	13.46	56.2	13.59	57.6	13.72
	33	40.9	9.78	48.6	12.65	52.4	13.82	53.1	13.90	53.8	13.95	55.3	14.11	56.7	14.24
	35	40.9	10.41	48.6	13.47	51.5	14.32	52.2	14.39	53.1	14.47	54.5	14.62	56.0	14.78
	37	40.9	11.08	48.6	14.36	50.8	14.83	51.5	14.91	52.2	14.99	53.6	15.14	55.1	15.31
	39	40.9	11.79	48.4	15.16	49.9	15.33	50.6	15.43	51.3	15.50	52.9	15.68	54.4	15.83
41	38.6	13.12	46.2	16.98	48.9	18.04	49.6	16.70	50.5	16.79	51.9	16.96	53.3	17.14	
44	36.0	14.26	43.7	18.46	46.6	20.04	47.5	18.86	48.5	18.09	50.0	17.84	51.5	18.03	
47	33.9	18.98	42.3	24.56	45.0	21.05	45.8	19.14	46.7	19.24	48.3	19.16	49.8	19.36	
50	31.1	18.64	37.9	24.12	40.2	22.19	40.9	22.17	41.7	21.13	43.1	20.76	44.8	20.39	
52	23.5	15.72	28.2	20.35	30.1	18.90	30.8	18.86	31.9	18.52	34.4	18.28	36.4	17.73	

Combination	Outdoor air temp. (°CDB)	Indoor air temp.													
		14.0°CWB		16.0°CWB		18.0°CWB		19.0°CWB		20.0°CWB		22.0°CWB		24.0°CWB	
		20.0°CDB		23.0°CDB		26.0°CDB		27.0°CDB		28.0°CDB		30.0°CDB		32.0°CDB	
		TC	PI	TC	PI	TC	PI	TC	PI	TC	PI	TC	PI	TC	PI
		kW	kW	kW	kW	kW	kW	kW	kW	kW	kW	kW	kW	kW	kW
110%	-5	37.4	4.94	46.4	6.36	59.3	7.64	61.2	7.68	62.4	7.72	63.6	7.79	65.4	7.86
	0	37.4	4.95	46.4	6.37	59.3	7.65	61.2	7.69	62.4	7.73	63.6	7.81	65.4	7.88
	4	37.4	4.97	46.4	6.40	59.3	7.68	61.2	7.72	62.4	7.76	63.6	7.83	65.4	7.91
	7	37.4	5.06	46.4	6.52	59.3	7.82	61.2	7.86	62.4	7.91	63.1	7.98	64.5	8.05
	10	37.4	5.42	44.6	6.60	51.8	7.85	55.4	8.48	59.0	9.13	63.5	9.68	65.0	9.36
	12	37.4	5.53	44.6	6.74	51.8	8.00	55.4	8.65	59.0	9.30	62.8	9.65	64.1	9.30
	14	37.4	5.63	44.6	6.85	51.8	8.15	55.4	8.80	59.0	9.47	61.9	9.65	63.4	9.28
	16	37.4	5.72	44.6	6.99	51.8	8.31	55.4	8.98	59.0	9.67	61.2	9.70	62.5	9.80
	18	37.4	5.84	44.6	7.12	51.8	8.48	55.4	9.23	59.0	10.13	60.3	10.20	61.7	10.30
	20	37.4	5.95	44.6	7.27	51.8	8.98	55.4	9.91	58.1	10.62	59.6	10.70	60.8	10.79
	21	37.4	6.01	44.6	7.48	51.8	9.30	55.4	10.28	57.8	10.87	59.0	10.95	60.5	11.04
	23	37.4	6.30	44.6	8.02	51.8	9.97	55.4	11.02	56.9	11.35	58.3	11.46	59.6	11.56
	25	37.4	6.70	44.6	8.57	51.8	10.66	55.4	11.81	56.2	11.85	57.4	11.96	58.9	12.06
	27	37.4	7.16	44.6	9.17	51.8	11.41	54.5	12.31	55.3	12.35	56.7	12.46	58.0	12.57
	29	37.4	7.64	44.6	9.78	51.8	12.19	53.8	12.80	54.5	12.86	55.8	12.98	57.2	13.09
	31	37.4	8.13	44.6	10.43	51.8	13.02	52.9	13.30	53.6	13.36	55.1	13.47	56.3	13.61
	33	37.4	8.65	44.6	11.12	51.5	13.72	52.2	13.80	52.9	13.86	54.2	13.99	55.6	14.13
	35	37.4	9.21	44.6	11.85	50.8	14.22	51.3	14.30	52.0	14.37	53.3	14.51	54.7	14.64
	37	37.4	9.80	44.6	12.61	49.9	14.74	50.6	14.80	51.1	14.87	52.6	15.02	53.8	15.16
	39	37.4	10.41	44.6	13.44	49.0	15.24	49.7	15.31	50.4	15.39	51.7	15.54	53.1	15.69
41	35.4	11.60	42.4	14.93	48.2	17.92	48.8	16.59	49.5	16.67	50.7	16.83	52.1	16.98	
44	32.9	12.61	40.2	16.23	45.9	19.91	46.7	18.73	47.5	17.97	48.8	17.70	50.3	17.86	
47	31.1	16.78	38.8	21.60	44.4	20.90	45.0	19.02	45.8	19.12	47.2	19.01	48.7	19.18	
50	28.5	16.48	34.8	21.21	39.6	22.04	40.2	22.02	40.8	20.99	42.1	20.60	43.8	20.21	
52	21.6	13.90	25.9	17.89	29.7	18.77	30.3	18.73	31.2	18.40	33.6	18.14	35.6	17.57	

Combination	Outdoor air temp. (°CDB)	Indoor air temp.													
		14.0°CWB		16.0°CWB		18.0°CWB		19.0°CWB		20.0°CWB		22.0°CWB		24.0°CWB	
		20.0°CDB		23.0°CDB		26.0°CDB		27.0°CDB		28.0°CDB		30.0°CDB		32.0°CDB	
		TC	PI	TC	PI	TC	PI	TC	PI	TC	PI	TC	PI	TC	PI
		kW	kW	kW	kW	kW	kW	kW	kW	kW	kW	kW	kW	kW	kW
100%	-5	34.0	4.32	42.1	5.54	55.1	6.90	60.1	7.63	61.1	7.66	62.3	7.73	63.8	7.80
	0	34.0	4.33	42.1	5.55	55.1	6.91	60.1	7.64	61.1	7.68	62.3	7.75	63.8	7.82
	4	34.0	4.35	42.1	5.57	55.1	6.94	60.1	7.67	61.1	7.71	62.3	7.78	63.8	7.85
	7	34.0	4.43	42.1	5.67	55.1	7.07	60.1	7.81	61.1	7.85	61.8	7.92	63.0	7.99
	10	34.0	4.90	40.5	5.95	47.2	7.04	50.4	7.60	53.6	8.21	60.3	9.29	63.7	9.66
	12	34.0	4.96	40.5	6.03	47.2	7.13	50.4	7.70	53.6	8.37	60.3	9.45	62.8	9.58
	14	34.0	5.05	40.5	6.14	47.2	7.26	50.4	7.84	53.6	8.52	60.3	9.62	62.1	9.50
	16	34.0	5.16	40.5	6.27	47.2	7.42	50.4	8.02	53.6	8.71	60.1	9.83	61.2	9.72
	18	34.0	5.28	40.5	6.41	47.2	7.56	50.4	8.18	53.6	8.88	59.2	10.02	60.5	10.17
	20	34.0	5.36	40.5	6.51	47.2	7.81	50.4	8.61	53.6	9.45	58.3	10.55	59.6	10.71
	21	34.0	5.41	40.5	6.58	47.2	8.08	50.4	8.90	53.6	9.77	58.0	10.91	59.2	11.01
	23	34.0	5.55	40.5	7.03	47.2	8.69	50.4	9.57	53.6	10.51	57.3	11.54	58.3	11.65
	25	34.0	5.91	40.5	7.48	47.2	9.24	50.4	10.18	53.6	11.24	56.3	11.96	57.6	12.07
	27	34.0	6.31	40.5	7.99	47.2	9.92	50.4	10.92	53.6	12.06	55.4	12.38	56.7	12.50
	29	34.0	6.69	40.5	8.53	47.2	10.61	50.4	11.68	53.5	12.77	54.7	12.98	55.9	13.10
	31	34.0	7.11	40.5	9.09	47.2	11.31	50.4	12.59	52.8	13.29	53.4	13.51	55.1	13.63
	33	34.0	7.57	40.5	9.68	47.2	12.06	50.4	13.32	51.8	13.77	53.2	13.90	54.3	14.02
	35	34.0	8.05	40.5	10.31	47.2	12.85	50.4	14.20	50.9	14.27	52.2	14.40	53.4	14.53
	37	34.0	8.57	40.5	10.98	47.2	13.69	49.5	14.71	50.3	14.79	51.4	14.89	52.7	15.03
	39	34.0	9.13	40.5	11.69	47.2	14.58	48.8	15.20	49.1	15.27	50.8	15.38	51.4	15.52
41	32.1	10.14	38.5	12.99	44.8	16.19	47.9	16.47	48.4	16.56	49.7	16.71	50.9	16.86	
44	29.9	11.03	36.4	14.12	42.7	17.99	45.9	18.60	46.5	17.84	47.8	17.57	49.2	17.73	
47	28.2	14.68	35.2	18.79	41.3	18.89	44.3	18.89	44.8	18.98	46.2	18.87	47.5	19.04	
50	25.9	14.41	31.6	18.45	36.8	19.92	39.5	21.87	40.0	20.84	41.2	20.45	42.7	20.05	
52	19.6	12.16	23.5	15.56	27.6	16.97	29.7	18.60	30.6	18.27	32.9	18.00	34.7	17.44	

GMV5 DC Inverter VRF Units Technical Sales Guide

Combination	Outdoor air temp. (°CDB)	Indoor air temp.													
		14.0°CWB		16.0°CWB		18.0°CWB		19.0°CWB		20.0°CWB		22.0°CWB		24.0°CWB	
		20.0°CDB		23.0°CDB		26.0°CDB		27.0°CDB		28.0°CDB		30.0°CDB		32.0°CDB	
		TC	PI	TC	PI	TC	PI	TC	PI	TC	PI	TC	PI	TC	PI
		kW	kW	kW	kW	kW	kW	kW	kW	kW	kW	kW	kW	kW	kW
90%	-5	30.6	3.77	37.9	4.77	49.6	5.89	54.1	6.51	57.9	7.16	61.0	7.67	62.4	7.73
	0	30.6	3.78	37.9	4.78	49.6	5.91	54.1	6.53	57.9	7.18	61.0	7.68	62.4	7.75
	4	30.6	3.79	37.9	4.80	49.6	5.93	54.1	6.55	57.9	7.20	61.0	7.71	62.4	7.78
	7	30.6	3.86	37.9	4.89	49.6	6.04	54.1	6.67	57.9	7.34	60.5	7.85	61.6	7.92
	10	30.6	4.28	36.4	5.13	42.4	6.01	45.4	6.77	48.3	7.21	54.3	8.26	60.1	9.36
	12	30.6	4.33	36.4	5.20	42.4	6.09	45.4	6.86	48.3	7.35	54.3	8.41	60.1	9.49
	14	30.6	4.41	36.4	5.29	42.4	6.20	45.4	6.97	48.3	7.48	54.3	8.55	60.1	9.64
	16	30.6	4.51	36.4	5.41	42.4	6.34	45.4	7.12	48.3	7.65	54.3	8.74	59.9	9.83
	18	30.6	4.61	36.4	5.53	42.4	6.46	45.4	7.26	48.3	7.80	54.3	8.95	59.4	10.18
	20	30.6	4.68	36.4	5.62	42.4	6.67	45.4	7.41	48.3	8.12	54.3	9.61	58.3	10.61
	21	30.6	4.72	36.4	5.67	42.4	6.90	45.4	7.66	48.3	8.40	54.3	9.94	58.0	10.85
	23	30.6	4.85	36.4	6.06	42.4	7.42	45.4	8.23	48.3	8.99	54.3	10.68	57.1	11.40
	25	30.6	5.15	36.4	6.45	42.4	7.89	45.4	8.79	48.3	9.62	54.3	11.42	56.3	11.87
	27	30.6	5.51	36.4	6.89	42.4	8.47	45.4	9.38	48.3	10.29	54.3	12.19	55.4	12.39
	29	30.6	5.83	36.4	7.36	42.4	9.06	45.4	10.02	48.3	10.99	53.6	12.77	54.7	12.89
	31	30.6	6.21	36.4	7.84	42.4	9.66	45.4	10.69	48.3	11.73	52.7	13.24	53.8	13.41
	33	30.6	6.60	36.4	8.35	42.4	10.30	45.4	11.38	48.3	12.47	52.0	13.78	53.1	13.90
	35	30.6	7.02	36.4	8.89	42.4	10.98	45.4	12.13	48.3	13.34	51.1	14.28	52.2	14.40
	37	30.6	7.48	36.4	9.47	42.4	11.69	44.5	12.57	48.3	14.28	50.2	14.79	51.5	14.75
	39	30.6	7.97	36.4	10.08	42.4	12.45	43.9	12.98	48.3	15.13	49.5	15.34	50.6	15.30
41	28.9	8.85	34.6	11.20	40.3	13.83	43.1	14.07	45.9	15.48	48.7	16.56	49.7	16.71	
44	26.9	9.62	32.8	12.18	38.4	15.37	41.3	15.89	44.1	16.68	46.8	17.42	48.0	17.57	
47	25.4	12.80	31.7	16.21	37.1	16.14	39.8	16.13	42.5	17.74	45.2	18.70	46.5	18.87	
50	23.3	12.57	28.4	15.91	33.1	17.01	35.5	18.68	37.9	19.48	40.4	20.27	41.8	19.88	
52	17.6	10.61	21.1	13.42	24.8	14.49	26.8	15.89	29.0	17.08	32.2	17.84	33.9	17.28	

Combination	Outdoor air temp. (°CDB)	Indoor air temp.													
		14.0°CWB		16.0°CWB		18.0°CWB		19.0°CWB		20.0°CWB		22.0°CWB		24.0°CWB	
		20.0°CDB		23.0°CDB		26.0°CDB		27.0°CDB		28.0°CDB		30.0°CDB		32.0°CDB	
		TC	PI	TC	PI	TC	PI	TC	PI	TC	PI	TC	PI	TC	PI
		kW	kW	kW	kW	kW	kW	kW	kW	kW	kW	kW	kW	kW	kW
80%	-5	27.2	3.26	33.7	4.02	44.1	5.00	48.1	5.50	51.3	6.01	57.6	7.13	60.9	7.64
	0	27.2	3.26	33.7	4.03	44.1	5.00	48.1	5.51	51.3	6.02	57.6	7.15	60.9	7.66
	4	27.2	3.28	33.7	4.04	44.1	5.02	48.1	5.53	51.3	6.04	57.6	7.17	60.9	7.69
	7	27.2	3.34	33.7	4.12	44.1	5.12	48.1	5.63	51.3	6.16	57.1	7.31	60.1	7.83
	10	27.2	3.89	32.4	4.65	37.7	5.47	40.3	5.90	42.9	6.31	48.2	7.21	53.5	8.37
	12	27.2	3.94	32.4	4.73	37.7	5.57	40.3	6.01	42.9	6.43	48.2	7.34	53.5	8.31
	14	27.2	4.02	32.4	4.82	37.7	5.67	40.3	6.11	42.9	6.55	48.2	7.46	53.5	8.49
	16	27.2	4.08	32.4	4.90	37.7	5.78	40.3	6.22	42.9	6.65	48.2	7.63	53.5	8.80
	18	27.2	4.15	32.4	5.00	37.7	5.91	40.3	6.35	42.9	6.78	48.2	7.80	53.5	9.41
	20	27.2	4.23	32.4	5.09	37.7	6.01	40.3	6.47	42.9	6.93	48.2	8.09	53.5	9.76
	21	27.2	4.27	32.4	5.13	37.7	6.07	40.3	6.55	42.9	7.09	48.2	8.38	53.5	10.45
	23	27.2	4.34	32.4	5.24	37.7	6.35	40.3	6.97	42.9	7.58	48.2	8.96	53.5	11.17
	25	27.2	4.48	32.4	5.57	37.7	6.79	40.3	7.45	42.9	8.09	48.2	9.60	53.5	11.92
	27	27.2	4.77	32.4	5.93	37.7	7.23	40.3	7.94	42.9	8.68	48.2	10.24	53.5	12.34
	29	27.2	5.07	32.4	6.32	37.7	7.71	40.3	8.46	42.8	9.26	48.2	10.93	53.5	12.79
	31	27.2	5.38	32.4	6.72	37.7	8.21	40.3	9.01	42.8	9.87	48.2	11.66	52.6	13.25
	33	27.2	5.72	32.4	7.48	37.7	8.75	40.3	9.60	42.8	10.51	48.2	12.45	51.8	13.73
	35	27.2	6.07	32.4	7.48	37.7	9.30	40.3	10.24	42.8	11.19	48.2	13.28	50.9	14.23
	37	27.2	6.43	32.4	8.06	37.7	9.90	39.6	10.91	42.8	11.92	48.2	14.15	50.2	14.76
	39	27.2	6.81	32.4	8.56	37.7	10.53	39.1	11.61	42.8	12.69	48.2	15.07	49.3	15.31
41	25.7	7.64	30.8	9.43	35.8	11.72	38.3	11.88	40.7	12.98	45.9	15.41	48.5	16.51	
44	24.0	8.31	29.2	10.25	34.1	13.02	36.7	13.41	39.0	13.99	44.2	16.21	46.9	17.36	
47	22.6	11.06	28.2	13.64	33.0	13.67	35.4	13.62	37.6	14.89	42.7	17.40	45.3	18.65	
50	20.7	10.86	25.3	13.40	29.5	14.42	31.6	15.77	33.6	16.34	38.1	18.86	40.8	19.64	
52	15.7	9.16	18.8	11.30	22.1	12.28	23.8	13.41	25.7	14.33	30.4	16.61	33.1	17.08	

Combination	Outdoor air temp. (°CDB)	Indoor air temp.													
		14.0°CWB		16.0°CWB		18.0°CWB		19.0°CWB		20.0°CWB		22.0°CWB		24.0°CWB	
		20.0°CDB		23.0°CDB		26.0°CDB		27.0°CDB		28.0°CDB		30.0°CDB		32.0°CDB	
		TC	PI	TC	PI	TC	PI	TC	PI	TC	PI	TC	PI	TC	PI
		kW	kW	kW	kW	kW	kW	kW	kW	kW	kW	kW	kW	kW	kW
70%	-5	23.8	2.78	29.5	3.43	38.6	4.16	42.1	4.56	45.1	4.97	50.4	5.86	55.9	6.81
	0	23.8	2.78	29.5	3.44	38.6	4.17	42.1	4.57	45.1	4.98	50.4	5.87	55.9	6.83
	4	23.8	2.79	29.5	3.45	38.6	4.19	42.1	4.59	45.1	5.00	50.4	5.89	55.9	6.85
	7	23.8	2.84	29.5	3.52	38.6	4.26	42.1	4.67	45.1	5.10	50.0	6.00	55.2	6.98
	10	23.8	3.43	28.3	4.06	33.0	4.73	35.3	5.09	37.5	5.45	42.2	6.20	46.8	6.97
	12	23.8	3.46	28.3	4.12	33.0	4.82	35.3	5.19	37.5	5.55	42.2	6.32	46.8	7.10
	14	23.8	3.52	28.3	4.19	33.0	4.90	35.3	5.26	37.5	5.65	42.2	6.43	46.8	7.23
	16	23.8	3.58	28.3	4.27	33.0	5.00	35.3	5.38	37.5	5.76	42.2	6.55	46.8	7.37
	18	23.8	3.64	28.3	4.34	33.0	5.09	35.3	5.47	37.5	5.86	42.2	6.68	46.8	7.52
	20	23.8	3.69	28.3	4.42	33.0	5.19	35.3	5.57	37.5	5.97	42.2	6.81	46.8	7.73
	21	23.8	3.73	28.3	4.46	33.0	5.23	35.3	5.63	37.5	6.03	42.2	6.89	46.8	8.00
	23	23.8	3.79	28.3	4.54	33.0	5.34	35.3	5.82	37.5	6.34	42.2	7.41	46.8	8.57
	25	23.8	3.87	28.3	4.73	33.0	5.68	35.3	6.22	37.5	6.76	42.2	7.92	46.8	9.17
	27	23.8	4.10	28.3	5.03	33.0	6.07	35.3	6.62	37.5	7.22	42.2	8.46	46.8	9.80
	29	23.8	4.34	28.3	5.34	33.0	6.45	35.3	7.06	37.5	7.68	42.2	9.01	46.8	10.47
	31	23.8	4.59	28.3	5.67	33.0	6.87	35.3	7.50	37.5	8.17	42.2	9.61	46.8	11.16
	33	23.8	4.88	28.3	6.03	33.0	7.31	35.3	7.98	37.5	8.71	42.2	10.24	46.8	11.91
	35	23.8	5.17	28.3	6.39	33.0	7.75	35.3	8.50	37.5	9.26	42.2	10.91	46.8	12.69
	37	23.8	5.45	28.3	6.78	33.0	8.25	34.6	9.03	37.5	9.86	42.2	11.62	46.8	13.51
	39	23.8	5.78	28.3	7.18	33.0	8.75	34.2	9.59	37.5	10.47	42.2	12.35	46.8	14.39
41	22.5	6.51	26.9	8.05	31.4	9.77	33.5	9.86	35.7	10.75	40.2	12.66	44.6	14.72	
44	21.0	7.08	25.5	8.76	29.9	10.85	32.1	11.13	34.3	11.58	38.7	13.31	43.1	15.48	
47	19.8	9.42	24.7	11.65	28.9	11.39	31.0	11.30	33.0	12.32	37.3	14.29	41.7	16.62	
50	18.1	9.25	22.1	11.44	25.8	12.02	27.6	13.09	29.5	13.53	33.3	15.49	37.4	17.51	
52	13.7	7.80	16.4	9.65	19.3	10.23	20.8	11.13	22.5	11.86	26.6	13.64	30.4	15.23	

Combination	Outdoor air temp. (°CDB)	Indoor air temp.													
		14.0°CWB		16.0°CWB		18.0°CWB		19.0°CWB		20.0°CWB		22.0°CWB		24.0°CWB	
		20.0°CDB		23.0°CDB		26.0°CDB		27.0°CDB		28.0°CDB		30.0°CDB		32.0°CDB	
		TC	PI	TC	PI	TC	PI	TC	PI	TC	PI	TC	PI	TC	PI
		kW	kW	kW	kW	kW	kW	kW	kW	kW	kW	kW	kW	kW	kW
60%	-5	20.4	2.33	25.2	2.85	33.1	3.41	36.1	3.72	38.6	4.04	43.2	4.72	48.0	5.45
	0	20.4	2.34	25.2	2.85	33.1	3.42	36.1	3.73	38.6	4.05	43.2	4.73	48.0	5.46
	4	20.4	2.35	25.2	2.86	33.1	3.43	36.1	3.74	38.6	4.06	43.2	4.74	48.0	5.48
	7	20.4	2.39	25.2	2.92	33.1	3.49	36.1	3.81	38.6	4.14	42.8	4.83	47.3	5.58
	10	20.4	2.97	24.3	3.48	28.3	4.04	30.2	4.33	32.2	4.61	36.2	5.23	40.1	5.86
	12	20.4	3.02	24.3	3.54	28.3	4.12	30.2	4.40	32.2	4.69	36.2	5.32	40.1	5.95
	14	20.4	3.06	24.3	3.60	28.3	4.17	30.2	4.48	32.2	4.79	36.2	5.42	40.1	6.07
	16	20.4	3.10	24.3	3.66	28.3	4.25	30.2	4.56	32.2	4.86	36.2	5.51	40.1	6.18
	18	20.4	3.16	24.3	3.71	28.3	4.33	30.2	4.63	32.2	4.96	36.2	5.61	40.1	6.30
	20	20.4	3.20	24.3	3.79	28.3	4.40	30.2	4.73	32.2	5.05	36.2	5.72	40.1	6.43
	21	20.4	3.23	24.3	3.81	28.3	4.44	30.2	4.77	32.2	5.09	36.2	5.78	40.1	6.49
	23	20.4	3.27	24.3	3.89	28.3	4.52	30.2	4.86	32.2	5.19	36.2	6.01	40.1	6.91
	25	20.4	3.33	24.3	3.96	28.3	4.69	30.2	5.09	32.2	5.51	36.2	6.41	40.1	7.37
	27	20.4	3.46	24.3	4.19	28.3	5.00	30.2	5.44	32.2	5.88	36.2	6.83	40.1	7.87
	29	20.4	3.66	24.3	4.44	28.3	5.32	30.2	5.78	32.2	6.26	36.2	7.29	40.1	8.40
	31	20.4	3.89	24.3	4.73	28.3	5.65	30.2	6.14	32.2	6.66	36.2	7.75	40.1	8.94
	33	20.4	4.10	24.3	5.00	28.3	5.99	30.2	6.53	32.2	7.08	36.2	8.25	40.1	9.53
	35	20.4	4.34	24.3	5.30	28.3	6.35	30.2	6.93	32.2	7.52	36.2	8.79	40.1	10.14
	37	20.4	4.59	24.3	5.61	28.3	6.74	29.7	7.35	32.2	7.98	36.2	9.34	40.1	10.79
	39	20.4	4.84	24.3	5.93	28.3	7.14	29.3	7.79	32.2	8.48	36.2	9.91	40.1	11.48
41	19.3	5.47	23.1	6.68	26.9	8.01	28.7	8.04	30.6	8.73	34.4	10.19	38.3	11.77	
44	18.0	5.95	21.9	7.26	25.6	8.90	27.5	9.08	29.4	9.40	33.1	10.72	36.9	12.38	
47	16.9	7.92	21.1	9.67	24.8	9.34	26.6	9.22	28.3	10.00	32.0	11.51	35.7	13.29	
50	15.5	7.78	19.0	9.49	22.1	9.85	23.7	10.67	25.3	10.98	28.6	12.48	32.1	14.00	
52	11.8	6.56	14.1	8.01	16.6	8.39	17.8	9.08	19.3	9.63	22.8	10.98	26.1	12.17	

GMV5 DC Inverter VRF Units Technical Sales Guide

Combination	Outdoor air temp. (°CDB)	Indoor air temp.													
		14.0°CWB		16.0°CWB		18.0°CWB		19.0°CWB		20.0°CWB		22.0°CWB		24.0°CWB	
		20.0°CDB		23.0°CDB		26.0°CDB		27.0°CDB		28.0°CDB		30.0°CDB		32.0°CDB	
		TC	PI	TC	PI	TC	PI	TC	PI	TC	PI	TC	PI	TC	PI
		kW	kW	kW	kW	kW	kW	kW	kW	kW	kW	kW	kW	kW	kW
50%	-5	17.0	1.93	21.0	2.31	27.5	2.73	30.1	2.96	32.1	3.20	36.0	3.70	40.0	4.23
	0	17.0	1.94	21.0	2.32	27.5	2.74	30.1	2.97	32.1	3.20	36.0	3.71	40.0	4.24
	4	17.0	1.94	21.0	2.33	27.5	2.75	30.1	2.98	32.1	3.21	36.0	3.72	40.0	4.26
	7	17.0	1.98	21.0	2.37	27.5	2.80	30.1	3.03	32.1	3.27	35.7	3.79	39.5	4.34
	10	17.0	2.56	20.2	2.97	23.6	3.39	25.2	3.62	26.8	3.83	30.1	4.31	33.5	4.80
	12	17.0	2.58	20.2	3.00	23.6	3.45	25.2	3.66	26.8	3.90	30.1	4.38	33.5	4.88
	14	17.0	2.62	20.2	3.04	23.6	3.48	25.2	3.73	26.8	3.96	30.1	4.46	33.5	4.98
	16	17.0	2.66	20.2	3.08	23.6	3.54	25.2	3.79	26.8	4.02	30.1	4.54	33.5	5.05
	18	17.0	2.70	20.2	3.14	23.6	3.60	25.2	3.85	26.8	4.10	30.1	4.61	33.5	5.15
	20	17.0	2.74	20.2	3.18	23.6	3.66	25.2	3.92	26.8	4.17	30.1	4.71	33.5	5.24
	21	17.0	2.76	20.2	3.22	23.6	3.69	25.2	3.94	26.8	4.21	30.1	4.75	33.5	5.30
	23	17.0	2.79	20.2	3.25	23.6	3.75	25.2	4.02	26.8	4.29	30.1	4.82	33.5	5.42
	25	17.0	2.83	20.2	3.31	23.6	3.83	25.2	4.10	26.8	4.42	30.1	5.07	33.5	5.78
	27	17.0	2.89	20.2	3.45	23.6	4.04	25.2	4.36	26.8	4.69	30.1	5.40	33.5	6.16
	29	17.0	3.04	20.2	3.64	23.6	4.29	25.2	4.63	26.7	5.00	30.1	5.74	33.5	6.57
	31	17.0	3.22	20.2	3.85	23.6	4.57	25.2	4.92	26.7	5.30	30.1	6.11	33.5	6.99
	33	17.0	3.41	20.2	4.08	23.6	4.82	25.2	5.21	26.7	5.63	30.1	6.49	33.5	7.43
	35	17.0	3.60	20.2	4.31	23.6	5.09	25.2	5.51	26.7	5.95	30.1	6.89	33.5	7.89
	37	17.0	3.79	20.2	4.56	23.6	5.40	24.7	5.84	26.7	6.32	30.1	7.31	33.5	8.38
	39	17.0	4.00	20.2	4.80	23.6	5.70	24.4	6.18	26.7	6.70	30.1	7.75	33.5	8.90
41	16.1	4.53	19.2	5.43	22.4	6.41	24.0	6.39	25.4	6.90	28.7	7.99	31.9	9.15	
44	15.0	4.93	18.2	5.90	21.3	7.13	22.9	7.22	24.4	7.44	27.6	8.41	30.8	9.62	
47	14.1	6.56	17.6	7.85	20.6	7.48	22.1	7.33	23.5	7.92	26.7	9.03	29.8	10.33	
50	12.9	6.44	15.8	7.71	18.4	7.89	19.7	8.49	21.0	8.69	23.8	9.78	26.8	10.88	
52	9.8	5.43	11.7	6.50	13.8	6.72	14.9	7.22	16.0	7.62	19.0	8.61	21.8	9.46	

GMV-560WM/B-X

TC—Total capacity of outdoor unit; PI—Power input of outdoor unit

Combination	Outdoor air temp. (°CDB)	Indoor air temp.													
		14.0°CWB		16.0°CWB		18.0°CWB		19.0°CWB		20.0°CWB		22.0°CWB		24.0°CWB	
		20.0°CDB		23.0°CDB		26.0°CDB		27.0°CDB		28.0°CDB		30.0°CDB		32.0°CDB	
		TC	PI	TC	PI	TC	PI	TC	PI	TC	PI	TC	PI	TC	PI
		kW	kW	kW	kW	kW	kW	kW	kW	kW	kW	kW	kW	kW	
135%	-5	49.2	7.07	58.6	8.61	68.0	8.72	70.6	8.76	72.0	8.81	73.8	8.91	76.0	9.01
	0	49.2	7.09	58.6	8.63	68.0	8.73	70.6	8.78	72.0	8.83	73.8	8.93	76.0	9.02
	4	49.2	7.11	58.6	8.66	68.0	8.77	70.6	8.81	72.0	8.86	73.8	8.96	76.0	9.06
	7	49.2	7.25	58.6	8.82	68.0	8.93	70.6	8.98	72.0	9.02	73.2	9.13	75.0	9.23
	10	49.2	7.37	58.6	9.01	68.0	10.72	70.6	10.95	71.4	10.74	73.2	10.28	75.0	9.81
	12	49.2	7.50	58.6	9.18	68.0	10.93	69.6	10.89	70.6	10.67	72.2	10.20	74.0	10.05
	14	49.2	7.65	58.6	9.36	67.8	11.06	68.8	10.84	69.6	10.61	71.4	10.52	73.2	10.63
	16	49.2	7.78	58.6	9.55	67.0	11.02	67.8	10.93	68.6	10.97	70.4	11.08	72.2	11.19
	18	49.2	7.93	58.6	9.75	66.0	11.43	66.8	11.49	67.8	11.56	69.6	11.66	71.4	11.77
	20	49.2	8.11	58.6	10.37	65.0	11.99	66.0	12.05	66.8	12.12	68.6	12.22	70.4	12.35
	21	49.2	8.32	58.6	10.74	64.6	12.27	65.6	12.33	66.4	12.40	68.2	12.53	70.0	12.63
	23	49.2	8.93	58.6	11.51	63.8	12.83	64.6	12.89	65.4	12.96	67.2	13.09	69.0	13.22
	25	49.2	9.53	58.6	12.33	62.8	13.39	63.8	13.45	64.6	13.54	66.4	13.67	68.2	13.80
	27	49.2	10.18	58.6	13.19	62.0	11.79	62.8	14.04	63.6	14.10	65.4	14.25	67.2	14.40
	29	49.2	10.87	58.6	14.10	61.0	14.51	61.8	14.60	62.8	14.68	64.6	14.83	66.4	14.98
	31	49.2	11.60	58.4	14.92	60.0	15.09	61.0	15.18	61.8	15.24	63.6	15.42	65.4	15.59
	33	49.2	12.35	57.4	15.48	59.2	15.63	60.0	15.74	61.0	15.83	62.8	16.00	64.4	16.19
	35	49.2	13.17	56.4	16.04	58.2	16.23	59.2	16.32	60.0	16.41	61.8	16.60	63.6	16.77
	37	49.2	14.01	55.6	16.62	57.4	16.82	58.2	16.90	59.2	17.01	60.8	17.20	62.6	17.40
	39	49.2	14.92	54.6	17.18	56.4	17.38	57.4	17.49	58.2	17.59	60.0	17.79	61.8	18.00
41	46.5	16.60	53.6	20.21	55.3	20.46	56.3	18.93	57.1	19.03	58.8	19.26	60.6	19.46	
44	43.3	18.05	50.8	21.98	52.7	22.73	53.9	21.38	54.8	20.51	56.6	20.25	58.5	20.46	
47	40.8	24.01	49.1	29.24	50.9	23.86	52.0	21.71	52.8	21.82	54.7	21.75	56.6	21.97	
50	37.4	23.58	44.0	28.71	45.5	25.16	46.4	25.13	47.1	23.95	48.8	23.57	50.9	23.15	
52	28.3	19.89	32.7	24.22	34.0	21.43	34.9	21.38	36.0	21.00	38.9	20.75	41.3	20.13	

Combination	Outdoor air temp. (°CDB)	Indoor air temp.													
		14.0°CWB		16.0°CWB		18.0°CWB		19.0°CWB		20.0°CWB		22.0°CWB		24.0°CWB	
		20.0°CDB		23.0°CDB		26.0°CDB		27.0°CDB		28.0°CDB		30.0°CDB		32.0°CDB	
		TC	PI	TC	PI	TC	PI	TC	PI	TC	PI	TC	PI	TC	PI
		kW	kW	kW	kW	kW	kW	kW	kW	kW	kW	kW	kW	kW	kW
120%	-5	45.4	6.30	56.1	8.15	66.8	8.66	69.2	8.71	70.8	8.75	72.4	8.85	74.3	8.94
	0	45.4	6.31	56.1	8.17	66.8	8.68	69.2	8.72	70.8	8.77	72.4	8.86	74.3	8.95
	4	45.4	6.33	56.1	8.20	66.8	8.71	69.2	8.76	70.8	8.80	72.4	8.89	74.3	8.99
	7	45.4	6.45	56.1	8.35	66.8	8.87	69.2	8.92	70.8	8.96	71.8	9.06	73.3	9.15
	10	45.4	6.73	54.0	8.21	62.8	9.77	67.2	10.56	70.4	11.02	72.0	10.59	73.6	10.18
	12	45.4	6.86	54.0	8.37	62.8	9.96	67.2	10.76	69.4	10.95	71.0	10.54	72.6	10.11
	14	45.4	6.99	54.0	8.54	62.8	10.15	67.2	10.97	68.4	10.89	70.2	10.48	71.8	10.54
	16	45.4	7.11	54.0	8.71	62.8	10.35	66.8	11.06	67.6	10.91	69.2	11.02	70.8	11.10
	18	45.4	7.24	54.0	8.88	62.8	10.72	65.8	11.43	66.6	11.47	68.2	11.58	70.0	11.69
	20	45.4	7.40	54.0	9.23	62.8	11.51	65.0	11.99	65.8	12.03	67.4	12.14	69.0	12.25
	21	45.4	7.46	54.0	9.55	62.8	11.92	64.4	12.27	65.2	12.31	67.0	12.42	68.6	12.55
	23	45.4	7.98	54.0	10.24	62.8	12.76	63.6	12.81	64.4	12.87	66.0	13.00	67.6	13.11
	25	45.4	8.52	54.0	10.95	61.8	13.32	62.6	13.37	63.4	13.43	65.2	13.56	66.8	13.69
	27	45.4	9.10	54.0	11.71	61.0	13.86	61.8	13.95	62.6	14.01	64.2	14.14	65.8	14.27
	29	45.4	9.70	54.0	12.50	60.0	14.42	60.8	14.51	61.6	14.57	63.2	14.73	65.0	14.85
	31	45.4	10.35	54.0	13.35	59.2	15.01	60.0	15.07	60.8	15.16	62.4	15.31	64.0	15.46
	33	45.4	11.02	54.0	14.25	58.2	15.57	59.0	15.65	59.8	15.72	61.4	15.89	63.0	16.04
	35	45.4	11.73	54.0	15.18	57.2	16.13	58.0	16.21	59.0	16.30	60.6	16.47	62.2	16.64
	37	45.4	12.48	54.0	16.17	56.4	16.71	57.2	16.80	58.0	16.88	59.6	17.05	61.2	17.25
	39	45.4	13.28	53.8	17.08	55.4	17.27	56.2	17.38	57.0	17.46	58.8	17.66	60.4	17.83
41	42.9	14.78	51.3	19.12	54.4	20.32	55.1	18.81	56.1	18.91	57.7	19.11	59.3	19.31	
44	40.0	16.07	48.6	20.79	51.8	22.58	52.8	21.24	53.9	20.37	55.5	20.10	57.2	20.31	
47	37.7	21.38	47.0	27.67	50.1	23.71	50.9	21.56	51.9	21.68	53.6	21.58	55.4	21.80	
50	34.5	20.99	42.1	27.17	44.7	25.00	45.4	24.97	46.3	23.80	47.9	23.39	49.8	22.97	
52	26.2	17.71	31.3	22.92	33.5	21.29	34.2	21.24	35.4	20.86	38.2	20.59	40.4	19.97	

Combination	Outdoor air temp. (°CDB)	Indoor air temp.													
		14.0°CWB		16.0°CWB		18.0°CWB		19.0°CWB		20.0°CWB		22.0°CWB		24.0°CWB	
		20.0°CDB		23.0°CDB		26.0°CDB		27.0°CDB		28.0°CDB		30.0°CDB		32.0°CDB	
		TC	PI	TC	PI	TC	PI	TC	PI	TC	PI	TC	PI	TC	PI
		kW	kW	kW	kW	kW	kW	kW	kW	kW	kW	kW	kW	kW	kW
110%	-5	41.6	5.57	51.5	7.17	65.9	8.60	68.0	8.65	69.4	8.69	70.7	8.78	72.7	8.86
	0	41.6	5.58	51.5	7.18	65.9	8.62	68.0	8.66	69.4	8.71	70.7	8.79	72.7	8.87
	4	41.6	5.60	51.5	7.21	65.9	8.65	68.0	8.70	69.4	8.74	70.7	8.82	72.7	8.91
	7	41.6	5.70	51.5	7.34	65.9	8.81	68.0	8.86	69.4	8.91	70.1	8.99	71.7	9.07
	10	41.6	6.10	49.6	7.44	57.6	8.84	61.6	9.55	65.6	10.28	70.6	10.91	72.2	10.54
	12	41.6	6.23	49.6	7.59	57.6	9.01	61.6	9.75	65.6	10.48	69.8	10.87	71.2	10.48
	14	41.6	6.34	49.6	7.72	57.6	9.18	61.6	9.92	65.6	10.67	68.8	10.87	70.4	10.46
	16	41.6	6.45	49.6	7.87	57.6	9.36	61.6	10.11	65.6	10.89	68.0	10.93	69.4	11.04
	18	41.6	6.58	49.6	8.02	57.6	9.55	61.6	10.39	65.6	11.41	67.0	11.49	68.6	11.60
	20	41.6	6.71	49.6	8.19	57.6	10.11	61.6	11.17	64.6	11.97	66.2	12.05	67.6	12.16
	21	41.6	6.77	49.6	8.43	57.6	10.48	61.6	11.58	64.2	12.25	65.6	12.33	67.2	12.44
	23	41.6	7.09	49.6	9.03	57.6	11.23	61.6	12.42	63.2	12.79	64.8	12.91	66.2	13.02
	25	41.6	7.55	49.6	9.66	57.6	12.01	61.6	13.30	62.4	13.35	63.8	13.48	65.4	13.58
	27	41.6	8.06	49.6	10.33	57.6	12.85	60.6	13.86	61.4	13.91	63.0	14.04	64.4	14.16
	29	41.6	8.60	49.6	11.02	57.6	13.73	59.8	14.42	60.6	14.49	62.0	14.62	63.6	14.75
	31	41.6	9.16	49.6	11.75	57.6	14.66	58.8	14.98	59.6	15.05	61.2	15.18	62.6	15.33
	33	41.6	9.75	49.6	12.53	57.2	15.46	58.0	15.54	58.8	15.61	60.2	15.76	61.8	15.91
	35	41.6	10.37	49.6	13.35	56.4	16.02	57.0	16.11	57.8	16.19	59.2	16.34	60.8	16.49
	37	41.6	11.04	49.6	14.21	55.4	16.60	56.2	16.67	56.8	16.75	58.4	16.92	59.8	17.08
	39	41.6	11.73	49.6	15.14	54.4	17.16	55.2	17.25	56.0	17.33	57.4	17.51	59.0	17.68
41	39.3	13.07	47.1	16.82	53.6	20.18	54.2	18.68	55.0	18.78	56.4	18.96	57.9	19.13	
44	36.6	14.21	44.6	18.28	51.0	22.43	51.9	21.10	52.8	20.24	54.2	19.94	55.9	20.12	
47	34.5	18.91	43.2	24.33	49.4	23.55	50.0	21.42	50.9	21.53	52.4	21.41	54.1	21.61	
50	31.6	18.56	38.7	23.89	44.0	24.83	44.6	24.80	45.4	23.64	46.8	23.21	48.6	22.76	
52	24.0	15.66	28.8	20.15	33.0	21.15	33.6	21.10	34.7	20.73	37.3	20.43	39.5	19.79	

GMV5 DC Inverter VRF Units Technical Sales Guide

Combination	Outdoor air temp. (°CDB)	Indoor air temp.													
		14.0°CWB		16.0°CWB		18.0°CWB		19.0°CWB		20.0°CWB		22.0°CWB		24.0°CWB	
		20.0°CDB		23.0°CDB		26.0°CDB		27.0°CDB		28.0°CDB		30.0°CDB		32.0°CDB	
		TC	PI	TC	PI	TC	PI	TC	PI	TC	PI	TC	PI	TC	PI
		kW	kW	kW	kW	kW	kW	kW	kW	kW	kW	kW	kW	kW	kW
100%	-5	37.8	4.87	46.8	6.24	61.2	7.77	66.8	8.59	67.9	8.63	69.2	8.71	70.9	8.79
	0	37.8	4.88	46.8	6.25	61.2	7.79	66.8	8.61	67.9	8.65	69.2	8.73	70.9	8.81
	4	37.8	4.90	46.8	6.27	61.2	7.82	66.8	8.64	67.9	8.68	69.2	8.76	70.9	8.84
	7	37.8	4.99	46.8	6.39	61.2	7.96	66.8	8.80	67.9	8.84	68.6	8.92	70.0	9.00
	10	37.8	5.52	45.0	6.71	52.4	7.93	56.0	8.56	59.6	9.25	67.0	10.47	70.8	10.88
	12	37.8	5.59	45.0	6.79	52.4	8.04	56.0	8.68	59.6	9.43	67.0	10.65	69.8	10.79
	14	37.8	5.69	45.0	6.91	52.4	8.17	56.0	8.84	59.6	9.60	67.0	10.83	69.0	10.70
	16	37.8	5.82	45.0	7.07	52.4	8.36	56.0	9.03	59.6	9.82	66.8	11.07	68.0	10.95
	18	37.8	5.95	45.0	7.23	52.4	8.52	56.0	9.21	59.6	10.01	65.8	11.29	67.2	11.46
	20	37.8	6.04	45.0	7.34	52.4	8.80	56.0	9.69	59.6	10.64	64.8	11.88	66.2	12.06
	21	37.8	6.10	45.0	7.41	52.4	9.10	56.0	10.02	59.6	11.01	64.4	12.29	65.8	12.40
	23	37.8	6.26	45.0	7.92	52.4	9.79	56.0	10.78	59.6	11.84	63.6	13.00	64.8	13.12
	25	37.8	6.66	45.0	8.42	52.4	10.41	56.0	11.47	59.6	12.66	62.6	13.48	64.0	13.60
	27	37.8	7.11	45.0	9.00	52.4	11.17	56.0	12.30	59.6	13.58	61.6	13.95	63.0	14.08
	29	37.8	7.53	45.0	9.61	52.4	11.95	56.0	13.16	59.4	14.39	60.8	14.62	62.2	14.75
	31	37.8	8.01	45.0	10.24	52.4	12.74	56.0	14.18	58.7	14.97	59.4	15.22	61.2	15.35
	33	37.8	8.52	45.0	10.90	52.4	13.58	56.0	15.01	57.6	15.51	59.1	15.65	60.4	15.80
	35	37.8	9.07	45.0	11.61	52.4	14.48	56.0	16.00	56.6	16.08	58.0	16.22	59.4	16.37
	37	37.8	9.66	45.0	12.37	52.4	15.42	55.0	16.57	55.9	16.66	57.1	16.77	58.5	16.92
	39	37.8	10.29	45.0	13.17	52.4	16.42	54.3	17.12	54.5	17.21	56.4	17.33	57.1	17.48
41	35.7	11.43	42.7	14.63	49.8	18.24	53.2	18.56	53.8	18.65	55.2	18.82	56.6	18.99	
44	33.3	12.42	40.5	15.91	47.4	20.27	51.0	20.96	51.7	20.10	53.1	19.79	54.6	19.97	
47	31.4	16.53	39.1	21.17	45.8	21.28	49.2	21.28	49.8	21.38	51.3	21.25	52.8	21.44	
50	28.7	16.23	35.1	20.78	40.9	22.44	43.8	24.64	44.4	23.47	45.8	23.04	47.5	22.59	
52	21.8	13.69	26.1	17.53	30.7	19.11	33.0	20.96	34.0	20.58	36.5	20.28	38.6	19.64	

Combination	Outdoor air temp. (°CDB)	Indoor air temp.													
		14.0°CWB		16.0°CWB		18.0°CWB		19.0°CWB		20.0°CWB		22.0°CWB		24.0°CWB	
		20.0°CDB		23.0°CDB		26.0°CDB		27.0°CDB		28.0°CDB		30.0°CDB		32.0°CDB	
		TC	PI	TC	PI	TC	PI	TC	PI	TC	PI	TC	PI	TC	PI
		kW	kW	kW	kW	kW	kW	kW	kW	kW	kW	kW	kW	kW	kW
90%	-5	34.0	4.25	42.1	5.38	55.1	6.64	60.1	7.34	64.4	8.07	67.8	8.63	69.3	8.71
	0	34.0	4.26	42.1	5.39	55.1	6.65	60.1	7.35	64.4	8.09	67.8	8.65	69.3	8.73
	4	34.0	4.27	42.1	5.41	55.1	6.68	60.1	7.38	64.4	8.12	67.8	8.68	69.3	8.76
	7	34.0	4.35	42.1	5.51	55.1	6.80	60.1	7.51	64.4	8.27	67.3	8.84	68.4	8.92
	10	34.0	4.82	40.5	5.78	47.2	6.77	50.4	7.63	53.6	8.12	60.3	9.31	66.8	10.55
	12	34.0	4.88	40.5	5.86	47.2	6.86	50.4	7.73	53.6	8.28	60.3	9.47	66.8	10.68
	14	34.0	4.96	40.5	5.96	47.2	6.98	50.4	7.85	53.6	8.42	60.3	9.63	66.8	10.86
	16	34.0	5.08	40.5	6.10	47.2	7.14	50.4	8.03	53.6	8.61	60.3	9.85	66.6	11.07
	18	34.0	5.19	40.5	6.23	47.2	7.28	50.4	8.18	53.6	8.78	60.3	10.08	66.0	11.47
	20	34.0	5.27	40.5	6.33	47.2	7.52	50.4	8.35	53.6	9.15	60.3	10.83	64.8	11.95
	21	34.0	5.32	40.5	6.39	47.2	7.77	50.4	8.63	53.6	9.46	60.3	11.20	64.4	12.22
	23	34.0	5.46	40.5	6.83	47.2	8.36	50.4	9.28	53.6	10.13	60.3	12.03	63.4	12.85
	25	34.0	5.81	40.5	7.26	47.2	8.89	50.4	9.90	53.6	10.83	60.3	12.86	62.6	13.37
	27	34.0	6.20	40.5	7.76	47.2	9.54	50.4	10.56	53.6	11.60	60.3	13.73	61.6	13.95
	29	34.0	6.57	40.5	8.29	47.2	10.20	50.4	11.29	53.6	12.38	59.6	14.39	60.8	14.52
	31	34.0	6.99	40.5	8.83	47.2	10.88	50.4	12.05	53.6	13.21	58.6	14.91	59.8	15.11
	33	34.0	7.44	40.5	9.40	47.2	11.60	50.4	12.81	53.6	14.05	57.8	15.52	59.0	15.66
	35	34.0	7.91	40.5	10.01	47.2	12.36	50.4	13.66	53.6	15.03	56.8	16.08	58.0	16.22
	37	34.0	8.43	40.5	10.67	47.2	13.17	49.5	14.15	53.6	16.08	55.8	16.66	57.2	16.61
	39	34.0	8.97	40.5	11.36	47.2	14.02	48.8	14.62	53.6	17.04	55.0	17.28	56.2	17.23
41	32.1	9.97	38.5	12.62	44.8	15.58	47.9	15.85	51.0	17.43	54.1	18.65	55.3	18.82	
44	29.9	10.84	36.4	13.72	42.7	17.31	45.9	17.90	49.0	18.79	52.0	19.62	53.4	19.79	
47	28.2	14.42	35.2	18.26	41.3	18.18	44.3	18.17	47.2	19.99	50.3	21.06	51.6	21.25	
50	25.9	14.16	31.6	17.93	36.8	19.16	39.5	21.04	42.1	21.94	44.9	22.83	46.4	22.39	
52	19.6	11.95	23.5	15.12	27.6	16.32	29.7	17.90	32.2	19.24	35.8	20.10	37.7	19.47	

Combination	Outdoor air temp. (°CDB)	Indoor air temp.													
		14.0°CWB		16.0°CWB		18.0°CWB		19.0°CWB		20.0°CWB		22.0°CWB		24.0°CWB	
		20.0°CDB		23.0°CDB		26.0°CDB		27.0°CDB		28.0°CDB		30.0°CDB		32.0°CDB	
		TC	PI	TC	PI	TC	PI	TC	PI	TC	PI	TC	PI	TC	PI
		kW	kW	kW	kW	kW	kW	kW	kW	kW	kW	kW	kW	kW	kW
80%	-5	30.2	3.67	37.4	4.53	49.0	5.63	53.4	6.19	57.0	6.77	64.0	8.04	67.6	8.61
	0	30.2	3.68	37.4	4.54	49.0	5.64	53.4	6.21	57.0	6.78	64.0	8.05	67.6	8.63
	4	30.2	3.69	37.4	4.55	49.0	5.66	53.4	6.23	57.0	6.81	64.0	8.08	67.6	8.66
	7	30.2	3.76	37.4	4.64	49.0	5.76	53.4	6.34	57.0	6.93	63.5	8.23	66.7	8.82
	10	30.2	4.38	36.0	5.24	41.9	6.17	44.8	6.64	47.7	7.11	53.6	8.12	59.4	9.43
	12	30.2	4.44	36.0	5.33	41.9	6.27	44.8	6.77	47.7	7.25	53.6	8.26	59.4	9.36
	14	30.2	4.53	36.0	5.43	41.9	6.38	44.8	6.88	47.7	7.38	53.6	8.41	59.4	9.57
	16	30.2	4.59	36.0	5.52	41.9	6.51	44.8	7.01	47.7	7.49	53.6	8.60	59.4	9.92
	18	30.2	4.68	36.0	5.63	41.9	6.66	44.8	7.16	47.7	7.64	53.6	8.79	59.4	10.61
	20	30.2	4.76	36.0	5.73	41.9	6.77	44.8	7.29	47.7	7.81	53.6	9.11	59.4	10.99
	21	30.2	4.81	36.0	5.78	41.9	6.83	44.8	7.37	47.7	7.99	53.6	9.44	59.4	11.77
	23	30.2	4.89	36.0	5.91	41.9	7.16	44.8	7.85	47.7	8.54	53.6	10.09	59.4	12.58
	25	30.2	5.05	36.0	6.27	41.9	7.65	44.8	8.39	47.7	9.12	53.6	10.81	59.4	13.43
	27	30.2	5.37	36.0	6.68	41.9	8.15	44.8	8.95	47.7	9.78	53.6	11.53	59.4	13.90
	29	30.2	5.71	36.0	7.11	41.9	8.69	44.8	9.53	47.5	10.43	53.6	12.31	59.4	14.41
	31	30.2	6.06	36.0	7.57	41.9	9.25	44.8	10.15	47.5	11.12	53.6	13.14	58.4	14.93
	33	30.2	6.45	36.0	8.43	41.9	9.85	44.8	10.82	47.5	11.84	53.6	14.02	57.6	15.47
	35	30.2	6.83	36.0	8.43	41.9	10.48	44.8	11.53	47.5	12.61	53.6	14.96	56.6	16.03
	37	30.2	7.24	36.0	9.08	41.9	11.15	44.0	12.28	47.5	13.43	53.6	15.94	55.8	16.63
	39	30.2	7.68	36.0	9.64	41.9	11.86	43.4	13.08	47.5	14.30	53.6	16.97	54.8	17.24
41	28.6	8.61	34.2	10.62	39.8	13.20	42.6	13.38	45.2	14.62	51.0	17.36	53.9	18.60	
44	26.6	9.36	32.4	11.55	37.9	14.67	40.8	15.11	43.4	15.76	49.1	18.26	52.1	19.56	
47	25.1	12.46	31.3	15.37	36.7	15.40	39.3	15.34	41.8	16.77	47.4	19.60	50.4	21.00	
50	23.0	12.23	28.1	15.09	32.7	16.24	35.1	17.76	37.3	18.41	42.3	21.25	45.3	22.12	
52	17.4	10.32	20.9	12.73	24.5	13.83	26.4	15.11	28.5	16.14	33.8	18.71	36.8	19.24	

Combination	Outdoor air temp. (°CDB)	Indoor air temp.													
		14.0°CWB		16.0°CWB		18.0°CWB		19.0°CWB		20.0°CWB		22.0°CWB		24.0°CWB	
		20.0°CDB		23.0°CDB		26.0°CDB		27.0°CDB		28.0°CDB		30.0°CDB		32.0°CDB	
		TC	PI	TC	PI	TC	PI	TC	PI	TC	PI	TC	PI	TC	PI
		kW	kW	kW	kW	kW	kW	kW	kW	kW	kW	kW	kW	kW	kW
70%	-5	26.5	3.13	32.7	3.87	42.9	4.69	46.7	5.14	50.1	5.60	56.0	6.60	62.1	7.68
	0	26.5	3.13	32.7	3.87	42.9	4.70	46.7	5.15	50.1	5.61	56.0	6.61	62.1	7.69
	4	26.5	3.14	32.7	3.89	42.9	4.72	46.7	5.17	50.1	5.63	56.0	6.64	62.1	7.72
	7	26.5	3.20	32.7	3.96	42.9	4.80	46.7	5.26	50.1	5.74	55.5	6.76	61.3	7.86
	10	26.5	3.86	31.5	4.57	36.7	5.33	39.2	5.73	41.7	6.14	46.9	6.99	52.0	7.85
	12	26.5	3.90	31.5	4.64	36.7	5.43	39.2	5.84	41.7	6.25	46.9	7.11	52.0	8.00
	14	26.5	3.97	31.5	4.72	36.7	5.52	39.2	5.93	41.7	6.36	46.9	7.24	52.0	8.15
	16	26.5	4.03	31.5	4.81	36.7	5.63	39.2	6.06	41.7	6.49	46.9	7.37	52.0	8.30
	18	26.5	4.10	31.5	4.89	36.7	5.73	39.2	6.17	41.7	6.60	46.9	7.52	52.0	8.47
	20	26.5	4.16	31.5	4.98	36.7	5.84	39.2	6.27	41.7	6.73	46.9	7.68	52.0	8.71
	21	26.5	4.20	31.5	5.02	36.7	5.89	39.2	6.34	41.7	6.79	46.9	7.76	52.0	9.01
	23	26.5	4.27	31.5	5.11	36.7	6.02	39.2	6.55	41.7	7.14	46.9	8.34	52.0	9.66
	25	26.5	4.36	31.5	5.33	36.7	6.40	39.2	7.01	41.7	7.61	46.9	8.93	52.0	10.33
	27	26.5	4.61	31.5	5.67	36.7	6.83	39.2	7.46	41.7	8.13	46.9	9.53	52.0	11.04
	29	26.5	4.89	31.5	6.02	36.7	7.27	39.2	7.96	41.7	8.65	46.9	10.15	52.0	11.79
	31	26.5	5.17	31.5	6.38	36.7	7.74	39.2	8.45	41.7	9.21	46.9	10.82	52.0	12.57
	33	26.5	5.50	31.5	6.79	36.7	8.24	39.2	8.99	41.7	9.81	46.9	11.53	52.0	13.41
	35	26.5	5.82	31.5	7.20	36.7	8.73	39.2	9.57	41.7	10.44	46.9	12.29	52.0	14.29
	37	26.5	6.14	31.5	7.63	36.7	9.29	38.5	10.18	41.7	11.10	46.9	13.09	52.0	15.22
	39	26.5	6.51	31.5	8.09	36.7	9.85	38.0	10.80	41.7	11.79	46.9	13.91	52.0	16.21
41	25.0	7.33	29.9	9.07	34.9	11.00	37.3	11.10	39.7	12.10	44.6	14.26	49.6	16.58	
44	23.3	7.98	28.3	9.87	33.2	12.22	35.7	12.54	38.1	13.04	42.9	14.99	47.8	17.44	
47	22.0	10.61	27.4	13.13	32.1	12.84	34.4	12.73	36.7	13.88	41.5	16.10	46.3	18.73	
50	20.1	10.42	24.6	12.89	28.6	13.53	30.7	14.74	32.7	15.24	37.0	17.45	41.6	19.73	
52	15.2	8.79	18.3	10.87	21.5	11.53	23.1	12.54	25.0	13.36	29.5	15.36	33.8	17.15	

GMV5 DC Inverter VRF Units Technical Sales Guide

Combination	Outdoor air temp. (°CDB)	Indoor air temp.													
		14.0°CWB		16.0°CWB		18.0°CWB		19.0°CWB		20.0°CWB		22.0°CWB		24.0°CWB	
		20.0°CDB		23.0°CDB		26.0°CDB		27.0°CDB		28.0°CDB		30.0°CDB		32.0°CDB	
		TC	PI	TC	PI	TC	PI	TC	PI	TC	PI	TC	PI	TC	PI
		kW	kW	kW	kW	kW	kW	kW	kW	kW	kW	kW	kW	kW	kW
60%	-5	22.7	2.63	28.1	3.21	36.7	3.84	40.1	4.19	42.9	4.55	48.0	5.31	53.3	6.14
	0	22.7	2.63	28.1	3.21	36.7	3.85	40.1	4.20	42.9	4.56	48.0	5.32	53.3	6.15
	4	22.7	2.64	28.1	3.22	36.7	3.87	40.1	4.21	42.9	4.58	48.0	5.34	53.3	6.17
	7	22.7	2.69	28.1	3.28	36.7	3.94	40.1	4.29	42.9	4.66	47.6	5.44	52.6	6.28
	10	22.7	3.34	27.0	3.92	31.4	4.55	33.6	4.87	35.8	5.20	40.2	5.89	44.6	6.60
	12	22.7	3.41	27.0	3.99	31.4	4.64	33.6	4.96	35.8	5.28	40.2	5.99	44.6	6.71
	14	22.7	3.45	27.0	4.05	31.4	4.70	33.6	5.05	35.8	5.39	40.2	6.10	44.6	6.83
	16	22.7	3.49	27.0	4.12	31.4	4.79	33.6	5.13	35.8	5.48	40.2	6.21	44.6	6.96
	18	22.7	3.56	27.0	4.18	31.4	4.87	33.6	5.22	35.8	5.58	40.2	6.32	44.6	7.09
	20	22.7	3.60	27.0	4.27	31.4	4.96	33.6	5.33	35.8	5.69	40.2	6.45	44.6	7.24
	21	22.7	3.64	27.0	4.29	31.4	5.00	33.6	5.37	35.8	5.73	40.2	6.51	44.6	7.31
	23	22.7	3.69	27.0	4.38	31.4	5.09	33.6	5.48	35.8	5.84	40.2	6.77	44.6	7.78
	25	22.7	3.75	27.0	4.46	31.4	5.28	33.6	5.73	35.8	6.21	40.2	7.22	44.6	8.30
	27	22.7	3.90	27.0	4.72	31.4	5.63	33.6	6.12	35.8	6.62	40.2	7.70	44.6	8.86
	29	22.7	4.12	27.0	5.00	31.4	5.99	33.6	6.51	35.8	7.05	40.2	8.21	44.6	9.46
	31	22.7	4.38	27.0	5.33	31.4	6.36	33.6	6.92	35.8	7.50	40.2	8.73	44.6	10.07
	33	22.7	4.61	27.0	5.63	31.4	6.75	33.6	7.35	35.8	7.98	40.2	9.29	44.6	10.74
	35	22.7	4.89	27.0	5.97	31.4	7.16	33.6	7.80	35.8	8.47	40.2	9.90	44.6	11.43
	37	22.7	5.17	27.0	6.32	31.4	7.59	33.0	8.28	35.8	8.99	40.2	10.52	44.6	12.16
	39	22.7	5.45	27.0	6.68	31.4	8.04	32.6	8.77	35.8	9.55	40.2	11.17	44.6	12.94
41	21.4	6.17	25.6	7.52	29.9	9.02	31.9	9.05	34.0	9.83	38.3	11.48	42.5	13.26	
44	20.0	6.70	24.3	8.18	28.5	10.02	30.6	10.22	32.6	10.59	36.8	12.07	41.0	13.94	
47	18.8	8.92	23.5	10.89	27.5	10.52	29.5	10.38	31.5	11.27	35.6	12.96	39.7	14.97	
50	17.2	8.76	21.1	10.69	24.6	11.09	26.3	12.02	28.1	12.37	31.7	14.05	35.7	15.77	
52	13.1	7.39	15.7	9.02	18.4	9.45	19.8	10.22	21.5	10.85	25.3	12.37	29.0	13.71	

Combination	Outdoor air temp. (°CDB)	Indoor air temp.													
		14.0°CWB		16.0°CWB		18.0°CWB		19.0°CWB		20.0°CWB		22.0°CWB		24.0°CWB	
		20.0°CDB		23.0°CDB		26.0°CDB		27.0°CDB		28.0°CDB		30.0°CDB		32.0°CDB	
		TC	PI	TC	PI	TC	PI	TC	PI	TC	PI	TC	PI	TC	PI
		kW	kW	kW	kW	kW	kW	kW	kW	kW	kW	kW	kW	kW	kW
50%	-5	18.9	2.18	23.4	2.60	30.6	3.08	33.4	3.33	35.6	3.60	40.0	4.17	44.5	4.77
	0	18.9	2.18	23.4	2.61	30.6	3.09	33.4	3.34	35.6	3.61	40.0	4.18	44.5	4.78
	4	18.9	2.19	23.4	2.62	30.6	3.10	33.4	3.35	35.6	3.62	40.0	4.19	44.5	4.80
	7	18.9	2.23	23.4	2.67	30.6	3.15	33.4	3.42	35.6	3.69	39.7	4.27	43.9	4.89
	10	18.9	2.89	22.5	3.34	26.2	3.82	28.0	4.07	29.8	4.31	33.5	4.85	37.2	5.41
	12	18.9	2.91	22.5	3.38	26.2	3.88	28.0	4.12	29.8	4.40	33.5	4.94	37.2	5.50
	14	18.9	2.95	22.5	3.43	26.2	3.92	28.0	4.20	29.8	4.46	33.5	5.02	37.2	5.61
	16	18.9	3.00	22.5	3.47	26.2	3.99	28.0	4.27	29.8	4.53	33.5	5.11	37.2	5.69
	18	18.9	3.04	22.5	3.54	26.2	4.05	28.0	4.33	29.8	4.61	33.5	5.20	37.2	5.80
	20	18.9	3.08	22.5	3.58	26.2	4.12	28.0	4.42	29.8	4.70	33.5	5.30	37.2	5.91
	21	18.9	3.10	22.5	3.62	26.2	4.16	28.0	4.44	29.8	4.74	33.5	5.35	37.2	5.97
	23	18.9	3.15	22.5	3.67	26.2	4.23	28.0	4.53	29.8	4.83	33.5	5.43	37.2	6.10
	25	18.9	3.19	22.5	3.73	26.2	4.31	28.0	4.61	29.8	4.98	33.5	5.71	37.2	6.51
	27	18.9	3.26	22.5	3.88	26.2	4.55	28.0	4.92	29.8	5.28	33.5	6.08	37.2	6.94
	29	18.9	3.43	22.5	4.10	26.2	4.83	28.0	5.22	29.7	5.63	33.5	6.47	37.2	7.40
	31	18.9	3.62	22.5	4.33	26.2	5.15	28.0	5.54	29.7	5.97	33.5	6.88	37.2	7.87
	33	18.9	3.84	22.5	4.59	26.2	5.43	28.0	5.86	29.7	6.34	33.5	7.31	37.2	8.37
	35	18.9	4.05	22.5	4.85	26.2	5.73	28.0	6.21	29.7	6.71	33.5	7.76	37.2	8.88
	37	18.9	4.27	22.5	5.13	26.2	6.08	27.5	6.58	29.7	7.11	33.5	8.24	37.2	9.44
	39	18.9	4.51	22.5	5.41	26.2	6.42	27.1	6.96	29.7	7.55	33.5	8.73	37.2	10.03
41	17.9	5.11	21.4	6.11	24.9	7.23	26.6	7.20	28.2	7.78	31.9	9.00	35.5	10.30	
44	16.6	5.55	20.2	6.65	23.7	8.03	25.5	8.13	27.1	8.38	30.7	9.47	34.2	10.84	
47	15.7	7.39	19.6	8.84	22.9	8.43	24.6	8.26	26.1	8.92	29.6	10.17	33.1	11.64	
50	14.4	7.26	17.5	8.68	20.5	8.89	21.9	9.56	23.3	9.79	26.5	11.02	29.8	12.26	
52	10.9	6.12	13.0	7.33	15.3	7.57	16.5	8.13	17.8	8.58	21.1	9.70	24.2	10.66	

GMV-615WM/B-X

TC—Total capacity of outdoor unit; PI—Power input of outdoor unit

Combination	Outdoor air temp. (°CDB)	Indoor air temp.													
		14.0°CWB		16.0°CWB		18.0°CWB		19.0°CWB		20.0°CWB		22.0°CWB		24.0°CWB	
		20.0°CDB		23.0°CDB		26.0°CDB		27.0°CDB		28.0°CDB		30.0°CDB		32.0°CDB	
		TC	PI	TC	PI	TC	PI	TC	PI	TC	PI	TC	PI	TC	PI
135%	-5	54.0	8.18	64.4	9.96	74.7	10.08	77.5	10.13	79.1	10.19	81.1	10.31	83.5	10.42
	0	54.0	8.19	64.4	9.98	74.7	10.10	77.5	10.15	79.1	10.21	81.1	10.33	83.5	10.43
	4	54.0	8.23	64.4	10.02	74.7	10.14	77.5	10.19	79.1	10.24	81.1	10.37	83.5	10.47
	7	54.0	8.38	64.4	10.20	74.7	10.32	77.5	10.38	79.1	10.43	80.4	10.56	82.4	10.67
	10	54.0	8.53	64.4	10.42	74.7	10.39	77.5	10.66	78.4	12.42	80.4	11.89	82.4	11.34
	12	54.0	8.68	64.4	10.62	74.7	12.64	76.4	12.59	77.5	12.34	79.3	11.79	81.3	11.62
	14	54.0	8.85	64.4	10.82	74.5	12.79	75.6	12.54	76.4	12.27	78.4	12.17	80.4	12.29
	16	54.0	9.00	64.4	11.04	73.6	12.74	74.5	12.64	75.3	12.69	77.3	12.81	79.3	12.94
	18	54.0	9.17	64.4	11.27	72.5	13.21	73.4	13.29	74.5	13.36	76.4	13.49	78.4	13.61
	20	54.0	9.37	64.4	11.99	71.4	13.86	72.5	13.94	73.4	14.01	75.3	14.14	77.3	14.28
	21	54.0	9.62	64.4	12.42	70.9	14.19	72.0	14.26	72.9	14.33	74.9	14.48	76.9	14.61
	23	54.0	10.32	64.4	13.31	70.1	14.83	70.9	14.91	71.8	14.98	73.8	15.13	75.8	15.28
	25	54.0	11.02	64.4	14.26	69.0	15.48	70.1	15.56	70.9	15.66	72.9	15.81	74.9	15.96
	27	54.0	11.77	64.4	15.26	68.1	13.64	69.0	16.23	69.8	16.30	71.8	16.48	73.8	16.65
	29	54.0	12.56	64.4	16.30	67.0	16.78	67.9	16.88	69.0	16.98	70.9	17.15	72.9	17.33
	31	54.0	13.41	64.1	17.25	65.9	17.45	67.0	17.55	67.9	17.63	69.8	17.82	71.8	18.02
	33	54.0	14.28	63.0	17.90	65.0	18.07	65.9	18.20	67.0	18.30	69.0	18.50	70.7	18.72
	35	54.0	15.23	61.9	18.55	63.9	18.77	65.0	18.87	65.9	18.97	67.9	19.20	69.8	19.40
	37	54.0	16.20	61.1	19.22	63.0	19.45	63.9	19.55	65.0	19.67	66.8	19.89	68.8	20.12
	39	54.0	17.25	60.0	19.87	61.9	20.09	63.0	20.22	63.9	20.34	65.9	20.57	67.9	20.82
41	51.1	19.19	58.8	23.37	60.7	23.65	61.8	21.89	62.7	22.01	64.6	22.27	66.6	22.50	
44	47.5	20.87	55.7	25.41	57.8	26.28	59.2	24.72	60.2	23.71	62.2	23.42	64.3	23.66	
47	44.8	27.77	53.9	33.81	55.9	27.60	57.1	25.10	58.0	25.23	60.1	25.15	62.2	25.41	
50	41.1	27.27	48.3	33.20	49.9	29.10	50.9	29.06	51.7	27.70	53.6	27.26	55.9	26.77	
52	31.1	23.00	35.9	28.01	37.4	24.78	38.4	24.72	39.5	24.28	42.8	24.00	45.4	23.27	
Combination	Outdoor air temp. (°CDB)	Indoor air temp.													
		14.0°CWB		16.0°CWB		18.0°CWB		19.0°CWB		20.0°CWB		22.0°CWB		24.0°CWB	
		20.0°CDB		23.0°CDB		26.0°CDB		27.0°CDB		28.0°CDB		30.0°CDB		32.0°CDB	
		TC	PI	TC	PI	TC	PI	TC	PI	TC	PI	TC	PI	TC	PI
120%	-5	49.9	7.28	61.6	9.42	73.4	10.01	76.0	10.07	77.8	10.12	79.5	10.23	81.6	10.34
	0	49.9	7.30	61.6	9.44	73.4	10.03	76.0	10.09	77.8	10.14	79.5	10.25	81.6	10.35
	4	49.9	7.32	61.6	9.48	73.4	10.07	76.0	10.12	77.8	10.18	79.5	10.29	81.6	10.39
	7	49.9	7.46	61.6	9.65	73.4	10.26	76.0	10.31	77.8	10.37	78.8	10.48	80.6	10.59
	10	49.9	7.78	59.3	9.50	69.0	11.29	73.8	12.22	77.3	12.74	79.1	12.24	80.8	11.77
	12	49.9	7.93	59.3	9.67	69.0	11.52	73.8	12.44	76.2	12.66	78.0	12.19	79.7	11.69
	14	49.9	8.08	59.3	9.87	69.0	11.74	73.8	12.69	75.1	12.59	77.1	12.12	78.9	12.19
	16	49.9	8.23	59.3	10.07	69.0	11.97	73.4	12.79	74.2	12.61	76.0	12.74	77.8	12.84
	18	49.9	8.38	59.3	10.27	69.0	12.39	72.3	13.21	73.1	13.26	74.9	13.39	76.9	13.51
	20	49.9	8.55	59.3	10.67	69.0	13.31	71.4	13.86	72.3	13.91	74.0	14.04	75.8	14.16
	21	49.9	8.63	59.3	11.04	69.0	13.79	70.7	14.19	71.6	14.24	73.6	14.36	75.3	14.51
	23	49.9	9.22	59.3	11.84	69.0	14.76	69.8	14.81	70.7	14.88	72.5	15.03	74.2	15.16
	25	49.9	9.85	59.3	12.66	67.9	15.41	68.8	15.46	69.6	15.53	71.6	15.68	73.4	15.83
	27	49.9	10.52	59.3	13.54	67.0	16.03	67.9	16.13	68.8	16.20	70.5	16.35	72.3	16.50
	29	49.9	11.22	59.3	14.46	65.9	16.68	66.8	16.78	67.7	16.85	69.4	17.03	71.4	17.18
	31	49.9	11.97	59.3	15.43	65.0	17.35	65.9	17.43	66.8	17.53	68.5	17.70	70.3	17.87
	33	49.9	12.74	59.3	16.48	63.9	18.00	64.8	18.10	65.7	18.17	67.4	18.37	69.2	18.55
	35	49.9	13.56	59.3	17.55	62.8	18.65	63.7	18.75	64.8	18.85	66.6	19.05	68.3	19.25
	37	49.9	14.43	59.3	18.70	61.9	19.32	62.8	19.42	63.7	19.52	65.5	19.72	67.2	19.94
	39	49.9	15.36	59.1	19.74	60.8	19.97	61.7	20.09	62.6	20.19	64.6	20.42	66.3	20.62
41	47.1	17.09	56.3	22.11	59.7	23.50	60.5	21.75	61.6	21.86	63.4	22.09	65.1	22.33	
44	43.9	18.58	53.4	24.04	56.9	26.11	58.0	24.56	59.2	23.56	61.0	23.24	62.8	23.48	
47	41.4	24.72	51.6	31.99	55.0	27.41	55.9	24.93	57.0	25.07	58.9	24.95	60.8	25.21	
50	37.9	24.28	46.3	31.42	49.1	28.90	49.9	28.87	50.9	27.52	52.6	27.05	54.6	26.56	
52	28.7	20.48	34.4	26.50	36.7	24.61	37.6	24.56	38.9	24.12	41.9	23.81	44.4	23.10	

GMV5 DC Inverter VRF Units Technical Sales Guide

Combination	Outdoor air temp. (°CDB)	Indoor air temp.													
		14.0°CWB		16.0°CWB		18.0°CWB		19.0°CWB		20.0°CWB		22.0°CWB		24.0°CWB	
		20.0°CDB		23.0°CDB		26.0°CDB		27.0°CDB		28.0°CDB		30.0°CDB		32.0°CDB	
		TC	PI	TC	PI	TC	PI	TC	PI	TC	PI	TC	PI	TC	PI
		kW	kW	kW	kW	kW	kW	kW	kW	kW	kW	kW	kW	kW	kW
110%	-5	45.7	6.44	56.6	8.29	72.4	9.95	74.7	10.00	76.2	10.05	77.6	10.15	79.8	10.24
	0	45.7	6.45	56.6	8.30	72.4	9.97	74.7	10.02	76.2	10.07	77.6	10.17	79.8	10.26
	4	45.7	6.48	56.6	8.33	72.4	10.00	74.7	10.06	76.2	10.11	77.6	10.20	79.8	10.30
	7	45.7	6.60	56.6	8.49	72.4	10.19	74.7	10.24	76.2	10.30	77.0	10.39	78.7	10.49
	10	45.7	7.06	54.5	8.60	63.3	10.22	67.7	11.04	72.0	11.89	77.5	12.61	79.3	12.19
	12	45.7	7.20	54.5	8.78	63.3	10.42	67.7	11.27	72.0	12.12	76.7	12.56	78.2	12.12
	14	45.7	7.33	54.5	8.92	63.3	10.62	67.7	11.47	72.0	12.34	75.6	12.56	77.3	12.09
	16	45.7	7.45	54.5	9.10	63.3	10.82	67.7	11.69	72.0	12.59	74.7	12.64	76.2	12.76
	18	45.7	7.60	54.5	9.27	63.3	11.04	67.7	12.02	72.0	13.19	73.6	13.29	75.3	13.41
	20	45.7	7.75	54.5	9.47	63.3	11.69	67.7	12.91	70.9	13.84	72.7	13.94	74.2	14.06
	21	45.7	7.83	54.5	9.75	63.3	12.12	67.7	13.39	70.5	14.16	72.0	14.26	73.8	14.38
	23	45.7	8.20	54.5	10.45	63.3	12.99	67.7	14.36	69.4	14.78	71.2	14.93	72.7	15.06
	25	45.7	8.73	54.5	11.17	63.3	13.89	67.7	15.38	68.5	15.43	70.1	15.58	71.8	15.71
	27	45.7	9.32	54.5	11.94	63.3	14.86	66.6	16.03	67.4	16.08	69.2	16.23	70.7	16.38
	29	45.7	9.95	54.5	12.74	63.3	15.88	65.7	16.68	66.6	16.75	68.1	16.90	69.8	17.05
	31	45.7	10.60	54.5	13.59	63.3	16.95	64.6	17.33	65.5	17.40	67.2	17.55	68.8	17.73
	33	45.7	11.27	54.5	14.48	62.8	17.87	63.7	17.97	64.6	18.05	66.1	18.22	67.9	18.40
	35	45.7	11.99	54.5	15.43	61.9	18.52	62.6	18.62	63.5	18.72	65.0	18.90	66.8	19.07
	37	45.7	12.76	54.5	16.43	60.8	19.20	61.7	19.27	62.4	19.37	64.1	19.57	65.7	19.74
	39	45.7	13.56	54.5	17.50	59.7	19.84	60.6	19.94	61.5	20.04	63.0	20.24	64.8	20.44
41	43.2	15.11	51.7	19.44	58.9	23.34	59.5	21.60	60.4	21.72	61.9	21.92	63.6	22.12	
44	40.2	16.43	49.0	21.14	56.1	25.93	57.0	24.40	58.0	23.40	59.6	23.05	61.4	23.27	
47	37.9	21.86	47.4	28.13	54.2	27.23	55.0	24.77	55.9	24.90	57.5	24.75	59.4	24.98	
50	34.7	21.46	42.5	27.62	48.4	28.71	49.0	28.68	49.8	27.33	51.4	26.83	53.4	26.32	
52	26.3	18.11	31.6	23.30	36.2	24.45	36.9	24.40	38.1	23.96	41.0	23.62	43.4	22.89	

Combination	Outdoor air temp. (°CDB)	Indoor air temp.													
		14.0°CWB		16.0°CWB		18.0°CWB		19.0°CWB		20.0°CWB		22.0°CWB		24.0°CWB	
		20.0°CDB		23.0°CDB		26.0°CDB		27.0°CDB		28.0°CDB		30.0°CDB		32.0°CDB	
		TC	PI	TC	PI	TC	PI	TC	PI	TC	PI	TC	PI	TC	PI
		kW	kW	kW	kW	kW	kW	kW	kW	kW	kW	kW	kW	kW	kW
100%	-5	41.5	5.63	51.3	7.21	67.2	8.99	73.3	9.93	74.6	9.98	76.0	10.07	77.9	10.16
	0	41.5	5.64	51.3	7.22	67.2	9.01	73.3	9.95	74.6	10.00	76.0	10.09	77.9	10.18
	4	41.5	5.66	51.3	7.25	67.2	9.04	73.3	9.99	74.6	10.04	76.0	10.13	77.9	10.22
	7	41.5	5.77	51.3	7.38	67.2	9.21	73.3	10.17	74.6	10.22	75.4	10.32	76.9	10.41
	10	41.5	6.38	49.4	7.75	57.5	9.17	61.5	9.90	65.5	10.69	73.6	12.10	77.7	12.58
	12	41.5	6.47	49.4	7.86	57.5	9.29	61.5	10.03	65.5	10.90	73.6	12.31	76.6	12.48
	14	41.5	6.58	49.4	7.99	57.5	9.45	61.5	10.22	65.5	11.10	73.6	12.52	75.8	12.38
	16	41.5	6.73	49.4	8.17	57.5	9.66	61.5	10.45	65.5	11.35	73.3	12.81	74.7	12.66
	18	41.5	6.88	49.4	8.36	57.5	9.85	61.5	10.65	65.5	11.57	72.3	13.05	73.8	13.25
	20	41.5	6.98	49.4	8.48	57.5	10.18	61.5	11.21	65.5	12.31	71.2	13.74	72.7	13.95
	21	41.5	7.05	49.4	8.57	57.5	10.52	61.5	11.59	65.5	12.73	70.7	14.21	72.3	14.34
	23	41.5	7.23	49.4	9.15	57.5	11.32	61.5	12.46	65.5	13.69	69.9	15.04	71.2	15.17
	25	41.5	7.70	49.4	9.74	57.5	12.04	61.5	13.26	65.5	14.64	68.7	15.58	70.3	15.72
	27	41.5	8.22	49.4	10.40	57.5	12.92	61.5	14.23	65.5	15.71	67.7	16.13	69.2	16.28
	29	41.5	8.71	49.4	11.12	57.5	13.82	61.5	15.22	65.2	16.64	66.7	16.91	68.3	17.06
	31	41.5	9.27	49.4	11.84	57.5	14.73	61.5	16.40	64.4	17.31	65.2	17.59	67.2	17.75
	33	41.5	9.86	49.4	12.61	57.5	15.70	61.5	17.35	63.3	17.94	64.9	18.10	66.3	18.26
	35	41.5	10.49	49.4	13.43	57.5	16.74	61.5	18.50	62.2	18.59	63.7	18.76	65.2	18.93
	37	41.5	11.17	49.4	14.30	57.5	17.83	60.4	19.16	61.4	19.26	62.7	19.40	64.3	19.57
	39	41.5	11.89	49.4	15.23	57.5	18.99	59.6	19.80	59.9	19.90	61.9	20.04	62.7	20.22
41	39.2	13.21	47.0	16.92	54.7	21.09	58.5	21.46	59.1	21.57	60.6	21.76	62.1	21.95	
44	36.5	14.37	44.5	18.39	52.1	23.44	56.0	24.23	56.8	23.24	58.3	22.88	60.0	23.09	
47	34.5	19.12	43.0	24.48	50.4	24.61	54.0	24.60	54.7	24.73	56.3	24.57	58.0	24.79	
50	31.6	18.77	38.5	24.03	44.9	25.95	48.2	28.49	48.8	27.14	50.3	26.64	52.2	26.12	
52	23.9	15.83	28.7	20.27	33.7	22.10	36.3	24.23	37.3	23.80	40.1	23.45	42.4	22.71	

Combination	Outdoor air temp. (°CDB)	Indoor air temp.													
		14.0°CWB		16.0°CWB		18.0°CWB		19.0°CWB		20.0°CWB		22.0°CWB		24.0°CWB	
		20.0°CDB		23.0°CDB		26.0°CDB		27.0°CDB		28.0°CDB		30.0°CDB		32.0°CDB	
		TC	PI	TC	PI	TC	PI	TC	PI	TC	PI	TC	PI	TC	PI
		kW	kW	kW	kW	kW	kW	kW	kW	kW	kW	kW	kW	kW	kW
90%	-5	37.4	4.91	46.2	6.22	60.5	7.68	66.0	8.48	70.7	9.33	74.5	9.98	76.1	10.07
	0	37.4	4.92	46.2	6.23	60.5	7.69	66.0	8.50	70.7	9.35	74.5	10.00	76.1	10.09
	4	37.4	4.94	46.2	6.25	60.5	7.72	66.0	8.53	70.7	9.38	74.5	10.04	76.1	10.13
	7	37.4	5.03	46.2	6.37	60.5	7.86	66.0	8.69	70.7	9.56	73.9	10.23	75.1	10.32
	10	37.4	5.57	44.5	6.69	51.8	7.83	55.4	8.82	58.9	9.39	66.2	10.76	73.3	12.19
	12	37.4	5.64	44.5	6.78	51.8	7.93	55.4	8.94	58.9	9.58	66.2	10.95	73.3	12.35
	14	37.4	5.74	44.5	6.89	51.8	8.07	55.4	9.08	58.9	9.74	66.2	11.14	73.3	12.56
	16	37.4	5.87	44.5	7.05	51.8	8.25	55.4	9.28	58.9	9.96	66.2	11.39	73.1	12.80
	18	37.4	6.00	44.5	7.21	51.8	8.41	55.4	9.46	58.9	10.15	66.2	11.66	72.5	13.26
	20	37.4	6.09	44.5	7.32	51.8	8.69	55.4	9.65	58.9	10.58	66.2	12.52	71.2	13.82
	21	37.4	6.15	44.5	7.39	51.8	8.99	55.4	9.97	58.9	10.94	66.2	12.95	70.7	14.13
	23	37.4	6.31	44.5	7.90	51.8	9.66	55.4	10.73	58.9	11.71	66.2	13.91	69.6	14.85
	25	37.4	6.71	44.5	8.40	51.8	10.28	55.4	11.45	58.9	12.52	66.2	14.87	68.8	15.46
	27	37.4	7.17	44.5	8.97	51.8	11.03	55.4	12.22	58.9	13.41	66.2	15.87	67.7	16.13
	29	37.4	7.60	44.5	9.59	51.8	11.80	55.4	13.05	58.9	14.31	65.5	16.64	66.8	16.79
	31	37.4	8.08	44.5	10.21	51.8	12.58	55.4	13.93	58.9	15.27	64.4	17.24	65.7	17.47
	33	37.4	8.60	44.5	10.87	51.8	13.41	55.4	14.82	58.9	16.25	63.5	17.94	64.8	18.10
	35	37.4	9.15	44.5	11.58	51.8	14.30	55.4	15.80	58.9	17.38	62.4	18.59	63.7	18.76
	37	37.4	9.74	44.5	12.33	51.8	15.23	54.4	16.37	58.9	18.59	61.3	19.26	62.8	19.21
	39	37.4	10.38	44.5	13.13	51.8	16.22	53.6	16.91	58.9	19.71	60.4	19.98	61.7	19.92
41	35.3	11.53	42.3	14.59	49.2	18.01	52.6	18.32	56.0	20.16	59.4	21.57	60.7	21.76	
44	32.9	12.53	40.0	15.86	46.9	20.02	50.4	20.69	53.8	21.72	57.1	22.68	58.6	22.89	
47	31.0	16.68	38.7	21.11	45.3	21.02	48.6	21.01	51.8	23.11	55.2	24.36	56.7	24.58	
50	28.4	16.38	34.7	20.73	40.5	22.16	43.3	24.33	46.2	25.37	49.3	26.40	51.0	25.89	
52	21.5	13.81	25.8	17.49	30.3	18.87	32.7	20.69	35.3	22.24	39.3	23.24	41.4	22.51	

Combination	Outdoor air temp. (°CDB)	Indoor air temp.													
		14.0°CWB		16.0°CWB		18.0°CWB		19.0°CWB		20.0°CWB		22.0°CWB		24.0°CWB	
		20.0°CDB		23.0°CDB		26.0°CDB		27.0°CDB		28.0°CDB		30.0°CDB		32.0°CDB	
		TC	PI	TC	PI	TC	PI	TC	PI	TC	PI	TC	PI	TC	PI
		kW	kW	kW	kW	kW	kW	kW	kW	kW	kW	kW	kW	kW	kW
80%	-5	33.2	4.24	41.1	5.23	53.8	6.51	58.7	7.16	62.6	7.83	70.3	9.29	74.3	9.96
	0	33.2	4.25	41.1	5.24	53.8	6.52	58.7	7.18	62.6	7.84	70.3	9.31	74.3	9.97
	4	33.2	4.27	41.1	5.26	53.8	6.54	58.7	7.20	62.6	7.87	70.3	9.34	74.3	10.01
	7	33.2	4.35	41.1	5.36	53.8	6.66	58.7	7.34	62.6	8.02	69.7	9.52	73.3	10.20
	10	33.2	5.06	39.5	6.06	46.0	7.13	49.2	7.68	52.4	8.22	58.8	9.39	65.2	10.91
	12	33.2	5.14	39.5	6.16	46.0	7.25	49.2	7.83	52.4	8.38	58.8	9.56	65.2	10.82
	14	33.2	5.24	39.5	6.28	46.0	7.38	49.2	7.95	52.4	8.53	58.8	9.72	65.2	11.06
	16	33.2	5.31	39.5	6.38	46.0	7.53	49.2	8.10	52.4	8.66	58.8	9.94	65.2	11.47
	18	33.2	5.41	39.5	6.51	46.0	7.70	49.2	8.28	52.4	8.83	58.8	10.16	65.2	12.26
	20	33.2	5.51	39.5	6.63	46.0	7.83	49.2	8.43	52.4	9.03	58.8	10.53	65.2	12.71
	21	33.2	5.56	39.5	6.68	46.0	7.90	49.2	8.53	52.4	9.23	58.8	10.91	65.2	13.61
	23	33.2	5.66	39.5	6.83	46.0	8.28	49.2	9.07	52.4	9.88	58.8	11.67	65.2	14.55
	25	33.2	5.83	39.5	7.25	46.0	8.85	49.2	9.70	52.4	10.54	58.8	12.50	65.2	15.53
	27	33.2	6.21	39.5	7.73	46.0	9.42	49.2	10.35	52.4	11.31	58.8	13.34	65.2	16.08
	29	33.2	6.61	39.5	8.23	46.0	10.05	49.2	11.02	52.2	12.06	58.8	14.23	65.2	16.66
	31	33.2	7.01	39.5	8.75	46.0	10.69	49.2	11.74	52.2	12.85	58.8	15.19	64.1	17.26
	33	33.2	7.45	39.5	9.75	46.0	11.39	49.2	12.51	52.2	13.69	58.8	16.21	63.3	17.89
	35	33.2	7.90	39.5	9.75	46.0	12.12	49.2	13.34	52.2	14.58	58.8	17.30	62.2	18.54
	37	33.2	8.38	39.5	10.50	46.0	12.89	48.3	14.20	52.2	15.52	58.8	18.43	61.3	19.22
	39	33.2	8.88	39.5	11.14	46.0	13.71	47.7	15.13	52.2	16.53	58.8	19.63	60.2	19.94
41	31.4	9.96	37.6	12.28	43.7	15.27	46.8	15.47	49.6	16.91	56.0	20.07	59.2	21.50	
44	29.2	10.83	35.6	13.35	41.7	16.96	44.8	17.47	47.6	18.22	53.9	21.11	57.2	22.62	
47	27.6	14.41	34.4	17.77	40.3	17.81	43.2	17.74	45.9	19.39	52.1	22.67	55.3	24.29	
50	25.2	14.15	30.8	17.45	36.0	18.78	38.5	20.54	41.0	21.28	46.5	24.57	49.7	25.58	
52	19.1	11.93	22.9	14.72	26.9	15.99	29.0	17.47	31.3	18.66	37.1	21.63	40.4	22.25	

GMV5 DC Inverter VRF Units Technical Sales Guide

Combination	Outdoor air temp. (°CDB)	Indoor air temp.													
		14.0°CWB		16.0°CWB		18.0°CWB		19.0°CWB		20.0°CWB		22.0°CWB		24.0°CWB	
		20.0°CDB		23.0°CDB		26.0°CDB		27.0°CDB		28.0°CDB		30.0°CDB		32.0°CDB	
		TC	PI	TC	PI	TC	PI	TC	PI	TC	PI	TC	PI	TC	PI
		kW	kW	kW	kW	kW	kW	kW	kW	kW	kW	kW	kW	kW	kW
70%	-5	29.1	3.61	35.9	4.47	47.1	5.42	51.3	5.94	55.0	6.48	61.5	7.63	68.2	8.88
	0	29.1	3.62	35.9	4.48	47.1	5.43	51.3	5.96	55.0	6.49	61.5	7.65	68.2	8.89
	4	29.1	3.63	35.9	4.50	47.1	5.45	51.3	5.98	55.0	6.52	61.5	7.67	68.2	8.93
	7	29.1	3.70	35.9	4.58	47.1	5.55	51.3	6.09	55.0	6.64	61.0	7.82	67.3	9.09
	10	29.1	4.46	34.6	5.29	40.3	6.16	43.1	6.63	45.8	7.11	51.5	8.08	57.1	9.07
	12	29.1	4.51	34.6	5.36	40.3	6.28	43.1	6.76	45.8	7.23	51.5	8.23	57.1	9.25
	14	29.1	4.59	34.6	5.46	40.3	6.38	43.1	6.86	45.8	7.35	51.5	8.38	57.1	9.42
	16	29.1	4.66	34.6	5.56	40.3	6.51	43.1	7.01	45.8	7.50	51.5	8.53	57.1	9.60
	18	29.1	4.74	34.6	5.66	40.3	6.63	43.1	7.13	45.8	7.63	51.5	8.70	57.1	9.80
	20	29.1	4.81	34.6	5.76	40.3	6.76	43.1	7.25	45.8	7.78	51.5	8.88	57.1	10.07
	21	29.1	4.86	34.6	5.81	40.3	6.81	43.1	7.33	45.8	7.85	51.5	8.97	57.1	10.42
	23	29.1	4.94	34.6	5.91	40.3	6.96	43.1	7.58	45.8	8.25	51.5	9.65	57.1	11.17
	25	29.1	5.04	34.6	6.16	40.3	7.40	43.1	8.10	45.8	8.80	51.5	10.32	57.1	11.94
	27	29.1	5.34	34.6	6.56	40.3	7.90	43.1	8.63	45.8	9.40	51.5	11.02	57.1	12.76
	29	29.1	5.66	34.6	6.96	40.3	8.40	43.1	9.20	45.8	10.00	51.5	11.74	57.1	13.64
	31	29.1	5.98	34.6	7.38	40.3	8.95	43.1	9.77	45.8	10.65	51.5	12.51	57.1	14.53
	33	29.1	6.36	34.6	7.85	40.3	9.52	43.1	10.40	45.8	11.34	51.5	13.34	57.1	15.51
	35	29.1	6.73	34.6	8.33	40.3	10.10	43.1	11.07	45.8	12.07	51.5	14.21	57.1	16.53
	37	29.1	7.11	34.6	8.83	40.3	10.74	42.3	11.77	45.8	12.84	51.5	15.13	57.1	17.60
	39	29.1	7.53	34.6	9.35	40.3	11.39	41.7	12.49	45.8	13.64	51.5	16.08	57.1	18.75
41	27.5	8.48	32.9	10.49	38.3	12.72	40.9	12.84	43.6	14.00	49.0	16.48	54.4	19.17	
44	25.6	9.22	31.1	11.41	36.5	14.14	39.2	14.50	41.8	15.08	47.2	17.34	52.5	20.16	
47	24.1	12.27	30.1	15.18	35.2	14.84	37.8	14.72	40.3	16.05	45.6	18.62	50.8	21.65	
50	22.1	12.05	27.0	14.90	31.5	15.65	33.7	17.05	36.0	17.62	40.7	20.18	45.7	22.81	
52	16.7	10.16	20.1	12.57	23.6	13.33	25.4	14.50	27.5	15.44	32.4	17.76	37.1	19.83	

Combination	Outdoor air temp. (°CDB)	Indoor air temp.													
		14.0°CWB		16.0°CWB		18.0°CWB		19.0°CWB		20.0°CWB		22.0°CWB		24.0°CWB	
		20.0°CDB		23.0°CDB		26.0°CDB		27.0°CDB		28.0°CDB		30.0°CDB		32.0°CDB	
		TC	PI	TC	PI	TC	PI	TC	PI	TC	PI	TC	PI	TC	PI
		kW	kW	kW	kW	kW	kW	kW	kW	kW	kW	kW	kW	kW	kW
60%	-5	24.9	3.04	30.8	3.71	40.3	4.44	44.0	4.85	47.1	5.26	52.7	6.14	58.5	7.10
	0	24.9	3.04	30.8	3.72	40.3	4.45	44.0	4.86	47.1	5.27	52.7	6.16	58.5	7.11
	4	24.9	3.06	30.8	3.73	40.3	4.47	44.0	4.87	47.1	5.29	52.7	6.18	58.5	7.13
	7	24.9	3.11	30.8	3.80	40.3	4.55	44.0	4.96	47.1	5.39	52.3	6.29	57.8	7.27
	10	24.9	3.86	29.7	4.54	34.5	5.26	36.9	5.63	39.3	6.01	44.1	6.81	49.0	7.63
	12	24.9	3.94	29.7	4.61	34.5	5.36	36.9	5.73	39.3	6.11	44.1	6.93	49.0	7.75
	14	24.9	3.99	29.7	4.69	34.5	5.43	36.9	5.83	39.3	6.23	44.1	7.06	49.0	7.90
	16	24.9	4.04	29.7	4.76	34.5	5.53	36.9	5.93	39.3	6.33	44.1	7.18	49.0	8.05
	18	24.9	4.11	29.7	4.84	34.5	5.63	36.9	6.03	39.3	6.46	44.1	7.30	49.0	8.20
	20	24.9	4.16	29.7	4.94	34.5	5.73	36.9	6.16	39.3	6.58	44.1	7.45	49.0	8.38
	21	24.9	4.21	29.7	4.96	34.5	5.78	36.9	6.21	39.3	6.63	44.1	7.53	49.0	8.45
	23	24.9	4.26	29.7	5.06	34.5	5.88	36.9	6.33	39.3	6.76	44.1	7.83	49.0	9.00
	25	24.9	4.34	29.7	5.16	34.5	6.11	36.9	6.63	39.3	7.18	44.1	8.35	49.0	9.60
	27	24.9	4.51	29.7	5.46	34.5	6.51	36.9	7.08	39.3	7.65	44.1	8.90	49.0	10.25
	29	24.9	4.76	29.7	5.78	34.5	6.93	36.9	7.53	39.3	8.15	44.1	9.50	49.0	10.94
	31	24.9	5.06	29.7	6.16	34.5	7.35	36.9	8.00	39.3	8.68	44.1	10.10	49.0	11.64
	33	24.9	5.34	29.7	6.51	34.5	7.80	36.9	8.50	39.3	9.22	44.1	10.74	49.0	12.42
	35	24.9	5.66	29.7	6.91	34.5	8.28	36.9	9.02	39.3	9.80	44.1	11.44	49.0	13.21
	37	24.9	5.98	29.7	7.30	34.5	8.78	36.2	9.57	39.3	10.40	44.1	12.17	49.0	14.06
	39	24.9	6.31	29.7	7.73	34.5	9.30	35.7	10.15	39.3	11.04	44.1	12.91	49.0	14.96
41	23.5	7.13	28.2	8.70	32.8	10.43	35.1	10.47	37.3	11.37	42.0	13.27	46.7	15.33	
44	21.9	7.75	26.7	9.46	31.2	11.59	33.6	11.82	35.9	12.25	40.4	13.96	45.1	16.12	
47	20.7	10.32	25.8	12.59	30.2	12.17	32.4	12.00	34.6	13.03	39.1	14.99	43.6	17.31	
50	18.9	10.13	23.1	12.36	27.0	12.83	28.9	13.90	30.8	14.30	34.9	16.25	39.2	18.23	
52	14.3	8.55	17.2	10.43	20.2	10.93	21.8	11.82	23.6	12.54	27.8	14.30	31.8	15.86	

Combination	Outdoor air temp. (°CDB)	Indoor air temp.													
		14.0°CWB		16.0°CWB		18.0°CWB		19.0°CWB		20.0°CWB		22.0°CWB		24.0°CWB	
		20.0°CDB		23.0°CDB		26.0°CDB		27.0°CDB		28.0°CDB		30.0°CDB		32.0°CDB	
		TC	PI	TC	PI	TC	PI	TC	PI	TC	PI	TC	PI	TC	PI
		kW	kW	kW	kW	kW	kW	kW	kW	kW	kW	kW	kW	kW	
50%	-5	20.8	2.52	25.7	3.01	33.6	3.56	36.7	3.86	39.1	4.16	43.9	4.82	48.8	5.52
	0	20.8	2.52	25.7	3.02	33.6	3.57	36.7	3.86	39.1	4.17	43.9	4.83	48.8	5.53
	4	20.8	2.53	25.7	3.03	33.6	3.58	36.7	3.88	39.1	4.19	43.9	4.85	48.8	5.55
	7	20.8	2.58	25.7	3.09	33.6	3.65	36.7	3.95	39.1	4.26	43.6	4.94	48.2	5.65
	10	20.8	3.34	24.7	3.86	28.8	4.41	30.8	4.71	32.7	4.99	36.8	5.61	40.9	6.26
	12	20.8	3.37	24.7	3.91	28.8	4.49	30.8	4.76	32.7	5.09	36.8	5.71	40.9	6.36
	14	20.8	3.42	24.7	3.96	28.8	4.54	30.8	4.86	32.7	5.16	36.8	5.81	40.9	6.48
	16	20.8	3.47	24.7	4.01	28.8	4.61	30.8	4.94	32.7	5.24	36.8	5.91	40.9	6.58
	18	20.8	3.52	24.7	4.09	28.8	4.69	30.8	5.01	32.7	5.34	36.8	6.01	40.9	6.71
	20	20.8	3.56	24.7	4.14	28.8	4.76	30.8	5.11	32.7	5.43	36.8	6.13	40.9	6.83
	21	20.8	3.59	24.7	4.19	28.8	4.81	30.8	5.14	32.7	5.48	36.8	6.18	40.9	6.91
	23	20.8	3.64	24.7	4.24	28.8	4.89	30.8	5.24	32.7	5.58	36.8	6.28	40.9	7.06
	25	20.8	3.69	24.7	4.31	28.8	4.99	30.8	5.34	32.7	5.76	36.8	6.61	40.9	7.53
	27	20.8	3.76	24.7	4.49	28.8	5.26	30.8	5.68	32.7	6.11	36.8	7.03	40.9	8.03
	29	20.8	3.96	24.7	4.74	28.8	5.58	30.8	6.03	32.6	6.51	36.8	7.48	40.9	8.55
	31	20.8	4.19	24.7	5.01	28.8	5.96	30.8	6.41	32.6	6.91	36.8	7.95	40.9	9.10
	33	20.8	4.44	24.7	5.31	28.8	6.28	30.8	6.78	32.6	7.33	36.8	8.45	40.9	9.67
	35	20.8	4.69	24.7	5.61	28.8	6.63	30.8	7.18	32.6	7.75	36.8	8.97	40.9	10.27
	37	20.8	4.94	24.7	5.93	28.8	7.03	30.2	7.60	32.6	8.23	36.8	9.52	40.9	10.92
	39	20.8	5.21	24.7	6.26	28.8	7.43	29.8	8.05	32.6	8.73	36.8	10.10	40.9	11.59
41	19.6	5.91	23.5	7.07	27.3	8.36	29.2	8.33	31.0	8.99	35.0	10.41	38.9	11.91	
44	18.3	6.42	22.2	7.68	26.0	9.28	28.0	9.41	29.8	9.69	33.7	10.95	37.6	12.53	
47	17.2	8.54	21.5	10.23	25.2	9.75	27.0	9.55	28.7	10.31	32.5	11.76	36.4	13.46	
50	15.8	8.39	19.3	10.04	22.5	10.28	24.1	11.06	25.6	11.32	29.1	12.74	32.7	14.17	
52	12.0	7.08	14.3	8.47	16.8	8.75	18.1	9.41	19.6	9.92	23.2	11.22	26.6	12.33	

➤ Heating Capacity Calculation Method

GMV-224WM/B-X

TC—Total capacity of outdoor unit; PI—Power input of outdoor unit

Combination	Outdoor air temp.		Indoor air temperature. °CDB											
			16		18		20		21		22		24	
	°CDB	°CWB	TC	PI	TC	PI	TC	PI	TC	PI	TC	PI	TC	PI
			kW	kW	kW	kW	kW	kW	kW	kW	kW	kW	kW	kW
130	-19.8	-20.0	16.2	3.88	16.1	4.16	16.0	4.43	16.0	4.57	16.0	4.71	16.0	4.98
	-18.8	-19.0	16.4	3.97	16.4	4.24	16.4	4.51	16.3	4.65	16.3	4.78	16.2	5.05
	-16.7	-17.0	17.1	4.16	17.0	4.41	16.9	4.68	16.9	4.78	16.9	4.93	16.8	5.20
	-13.7	-15.0	17.8	4.35	17.7	4.60	17.6	4.85	17.6	4.97	17.5	5.10	17.5	5.35
	-11.8	-13.0	18.5	4.54	18.5	4.78	18.4	5.02	18.3	5.14	18.3	5.26	18.3	5.50
	-9.8	-11.0	19.4	4.74	19.3	4.97	19.2	5.20	19.2	5.31	19.2	5.43	19.1	5.65
	-9.5	-10.0	19.8	4.84	19.8	5.06	19.7	5.28	19.7	5.40	19.6	5.50	19.6	5.73
	-8.5	-9.1	20.2	4.93	20.2	5.14	20.2	5.36	20.1	5.47	20.1	5.58	20.0	5.80
	-7.0	-7.6	21.0	5.07	21.0	5.28	20.9	5.49	20.9	5.60	20.8	5.70	20.7	5.91
	-5.0	-5.6	22.1	5.26	22.0	5.36	21.9	5.66	21.9	5.76	21.8	5.85	21.8	6.05
	-3.0	-3.7	23.1	5.43	23.0	5.63	23.0	5.81	22.9	5.91	22.9	6.00	22.9	6.19
	0.0	-0.7	24.9	5.70	24.9	5.88	24.8	6.05	24.8	6.13	24.8	6.23	24.8	6.40
	3.0	2.2	26.9	5.93	26.8	6.10	26.7	6.26	26.7	6.34	26.7	6.43	26.7	6.58
	5.0	4.1	28.3	6.08	28.2	6.24	28.2	6.39	28.1	6.47	28.1	6.55	28.0	6.70
	7.0	6.0	29.7	6.23	29.6	6.37	29.6	6.52	29.5	6.58	29.5	6.66	28.3	6.40
	9.0	7.9	31.2	6.35	31.1	6.50	31.1	6.63	31.0	6.70	30.4	6.57	28.3	6.01
	11.0	9.8	32.8	6.48	32.7	6.61	32.5	6.70	31.4	6.43	30.4	6.17	28.3	5.66
13.0	11.8	34.5	6.60	34.4	6.73	32.5	6.28	31.4	6.03	30.4	5.79	28.3	5.31	
15.0	13.7	36.2	6.72	34.6	6.38	32.5	5.91	31.4	5.68	30.4	5.45	28.3	5.01	

GMV5 DC Inverter VRF Units Technical Sales Guide

Combination	Outdoor air temp.		Indoor air temperature. °CDB											
			16		18		20		21		22		24	
	°CDB	°CWB	TC	PI	TC	PI	TC	PI	TC	PI	TC	PI	TC	PI
120	-19.8	-20.0	16.1	4.26	16.0	4.51	16.0	4.76	16.0	4.88	16.0	5.01	15.9	5.27
	-18.8	-19.0	16.4	4.33	16.3	4.58	16.3	4.78	16.2	4.96	16.2	5.08	16.1	5.33
	-16.7	-17.0	17.0	4.51	16.9	4.75	16.9	4.98	16.8	5.11	16.8	5.23	16.7	5.46
	-13.7	-15.0	17.7	4.68	17.6	4.91	17.5	5.14	17.5	5.26	17.5	5.38	17.5	5.60
	-11.8	-13.0	18.4	4.86	18.4	5.08	18.3	5.31	18.3	5.42	18.3	5.53	18.3	5.75
	-9.8	-11.0	19.3	5.05	19.2	5.26	19.2	5.47	19.1	5.58	19.1	5.68	19.0	5.90
	-9.5	-10.0	19.8	5.14	19.7	5.35	19.6	5.55	19.6	5.65	19.6	5.71	19.5	5.96
	-8.5	-9.1	20.2	5.22	20.1	5.42	20.1	5.62	20.0	5.72	20.0	5.83	19.9	6.03
	-7.0	-7.6	20.9	5.36	20.9	5.55	20.8	5.74	20.8	5.84	20.7	5.93	20.7	6.13
	-5.0	-5.6	22.0	5.53	21.9	5.71	21.8	5.90	21.8	5.99	21.8	6.08	21.7	6.26
	-3.0	-3.7	23.0	5.69	23.0	5.87	22.9	6.04	22.9	6.13	22.9	6.22	22.9	6.39
	0.0	-0.7	24.8	5.93	24.8	6.10	24.8	6.33	24.8	6.34	24.7	6.42	24.7	6.58
	3.0	2.2	26.8	6.15	26.7	6.30	26.7	6.45	26.7	6.53	26.7	6.60	26.1	6.57
	5.0	4.1	28.2	6.29	28.1	6.43	28.1	6.58	28.0	6.65	28.0	6.72	26.1	6.17
	7.0	6.0	29.6	6.42	29.6	6.55	29.5	6.69	29.0	6.60	28.1	6.33	26.1	5.80
	9.0	7.9	31.1	6.55	31.0	6.68	30.0	6.45	29.0	6.20	28.1	5.95	26.1	5.46
11.0	9.8	32.7	6.66	31.9	6.55	30.0	6.07	29.0	5.83	28.1	5.60	26.1	5.15	
13.0	11.8	33.9	6.60	31.9	6.14	30.0	5.69	29.0	5.48	28.1	5.26	26.1	4.84	
15.0	13.7	33.9	6.21	31.9	5.78	30.0	5.37	29.0	5.16	28.1	4.96	26.1	4.57	

Combination	Outdoor air temp.		Indoor air temperature. °CDB											
			16		18		20		21		22		24	
	°CDB	°CWB	TC	PI	TC	PI	TC	PI	TC	PI	TC	PI	TC	PI
110	-19.8	-20.0	16.0	4.63	16.0	4.86	15.9	5.09	15.9	5.21	15.9	5.32	15.8	5.55
	-18.8	-19.0	16.3	4.70	16.3	4.93	17.4	5.16	16.2	5.27	16.1	5.38	16.1	5.61
	-16.7	-17.0	16.9	4.86	16.8	5.08	16.8	5.30	16.7	5.40	16.7	5.52	16.7	5.73
	-13.7	-15.0	17.6	5.02	17.5	5.23	17.5	5.44	17.5	5.55	17.5	5.65	17.4	5.86
	-11.8	-13.0	18.3	5.19	18.3	5.39	18.3	5.59	18.3	5.69	18.2	5.79	18.2	6.00
	-9.8	-11.0	19.2	5.36	19.1	5.55	19.1	5.74	19.0	5.84	19.0	5.93	19.0	6.13
	-9.5	-10.0	19.7	5.44	19.6	5.63	19.5	5.82	19.5	5.91	19.5	6.00	19.4	6.19
	-8.5	-9.1	20.1	5.51	20.0	5.70	20.0	5.88	20.0	5.98	19.9	6.07	19.9	6.25
	-7.0	-7.6	20.8	5.64	20.8	5.81	20.7	5.99	20.7	6.08	21.0	6.17	20.6	6.35
	-5.0	-5.6	21.9	5.80	21.8	5.97	21.7	6.13	21.7	6.22	22.8	6.30	21.7	6.48
	-3.0	-3.7	22.9	5.95	22.9	6.10	22.9	6.27	22.9	6.35	24.7	6.43	22.8	6.59
	0.0	-0.7	24.8	6.17	24.8	6.32	24.7	6.47	24.7	6.54	25.7	6.62	24.0	6.49
	3.0	2.2	26.7	6.38	26.7	6.51	26.7	6.65	26.6	6.71	25.7	6.44	24.0	5.90
	5.0	4.1	28.1	6.50	28.1	6.63	27.5	6.57	26.6	6.30	25.7	6.05	24.0	5.55
	7.0	6.0	29.5	6.62	29.3	6.66	27.5	6.17	26.6	5.93	25.7	5.69	24.0	5.23
	9.0	7.9	31.0	6.73	29.3	6.26	27.5	5.80	26.6	5.58	25.7	5.36	24.0	4.93
11.0	9.8	31.0	6.33	29.3	5.89	27.5	5.46	26.6	5.26	25.7	5.05	24.0	4.65	
13.0	11.8	31.0	5.93	29.3	5.53	27.5	5.13	26.6	4.94	25.7	4.75	24.0	4.38	
15.0	13.7	31.0	5.59	29.3	5.21	27.5	4.85	26.6	4.66	25.7	4.49	24.0	4.14	

Combination	Outdoor air temp.		Indoor air temperature. °CDB											
			16		18		20		21		22		24	
	°CDB	°CWB	TC	PI	TC	PI	TC	PI	TC	PI	TC	PI	TC	PI
100	-19.8	-20.0	16.0	5.00	15.9	5.21	15.9	5.42	15.8	5.53	15.8	5.63	15.7	5.84
	-18.8	-19.0	16.2	5.06	16.2	5.27	16.1	5.48	16.1	5.58	16.0	5.69	16.0	5.90
	-16.7	-17.0	16.8	5.21	16.7	5.40	16.7	5.60	16.7	5.70	16.7	5.80	16.7	6.00
	-13.7	-15.0	17.5	5.36	17.5	5.55	17.5	5.74	17.4	5.84	17.4	5.93	17.3	6.13
	-11.8	-13.0	18.3	5.51	18.3	5.69	18.2	5.88	18.2	5.97	18.2	5.85	18.1	6.25
	-9.8	-11.0	19.1	5.66	19.0	5.84	19.0	6.01	19.0	6.10	19.0	6.19	19.0	6.36
	-9.5	-10.0	19.6	5.74	19.5	5.91	19.5	6.08	19.4	6.17	19.4	6.25	19.4	6.43
	-8.5	-9.1	20.0	5.80	20.0	5.98	19.9	6.14	19.9	6.23	19.8	6.31	19.8	6.48
	-7.0	-7.6	20.7	5.92	20.7	6.08	20.6	6.24	20.6	6.33	20.6	6.40	20.6	6.57
	-5.0	-5.6	21.8	6.07	21.7	6.22	21.7	6.38	21.7	6.45	21.7	6.53	21.7	6.68
	-3.0	-3.7	22.9	6.20	22.9	6.35	22.8	6.50	22.8	6.57	22.8	6.64	21.8	6.36
	0.0	-0.7	24.7	6.41	24.7	6.54	24.6	6.68	24.2	6.57	23.4	6.30	21.8	5.78
	3.0	2.2	26.7	6.59	26.6	6.71	25.0	6.21	24.2	5.97	23.4	5.73	21.8	5.26
	5.0	4.1	28.0	6.71	26.6	6.30	25.0	5.84	24.2	5.62	23.4	5.40	21.8	4.96
	7.0	6.0	28.2	6.37	26.6	5.93	25.0	5.50	24.2	5.29	23.4	5.08	21.8	4.68
	9.0	7.9	28.2	5.98	26.6	5.58	25.0	5.18	24.2	4.98	23.4	4.79	21.8	4.41
	11.0	9.8	28.2	5.63	26.6	5.26	25.0	4.88	24.2	4.70	23.4	4.52	21.8	4.17
13.0	11.8	28.2	5.29	26.6	4.94	25.0	4.60	24.2	4.43	23.4	4.26	21.8	3.93	
15.0	13.7	28.2	4.99	26.6	4.66	25.0	4.34	24.2	4.18	23.4	4.03	21.8	3.73	

Combination	Outdoor air temp.		Indoor air temperature. °CDB											
			16		18		20		21		22		24	
	°CDB	°CWB	TC	PI	TC	PI	TC	PI	TC	PI	TC	PI	TC	PI
90	-19.8	-20.0	15.9	5.37	15.8	5.55	15.8	5.75	15.7	5.84	15.7	5.94	15.7	6.13
	-18.8	-19.0	16.1	5.43	16.1	5.62	16.0	5.80	16.0	5.90	16.0	5.99	16.0	6.18
	-16.7	-17.0	16.7	5.56	16.7	5.74	16.7	5.92	16.7	6.01	16.6	6.10	16.6	6.28
	-13.7	-15.0	17.5	5.70	17.4	5.87	17.4	6.04	17.3	6.07	17.3	6.21	17.3	6.38
	-11.8	-13.0	18.2	5.83	18.2	6.00	18.1	6.16	18.1	6.25	18.1	6.33	18.0	6.49
	-9.8	-11.0	19.0	5.97	19.0	6.13	19.0	6.28	19.0	6.37	19.0	6.45	18.9	6.60
	-9.5	-10.0	19.5	6.04	19.4	6.20	19.4	6.35	19.4	6.43	19.4	6.50	19.4	6.65
	-8.5	-9.1	19.9	6.10	19.9	6.25	19.8	6.40	19.8	6.48	19.8	6.55	19.6	6.62
	-7.0	-7.6	20.6	6.20	20.6	6.35	20.6	6.50	20.6	6.57	20.6	6.64	19.6	6.32
	-5.0	-5.6	21.7	6.34	21.7	6.48	21.7	6.61	21.7	6.68	21.0	6.48	19.6	5.94
	-3.0	-3.7	22.8	6.46	22.8	5.88	22.5	6.62	21.7	6.35	21.0	6.10	19.6	5.60
	0.0	-0.7	24.7	6.65	24.0	5.77	22.5	6.00	21.7	5.77	21.0	5.54	19.6	5.09
	3.0	2.2	25.4	6.33	24.0	5.90	22.5	5.47	21.7	5.26	21.0	5.06	19.6	4.66
	5.0	4.1	25.4	5.95	24.0	5.55	22.5	5.16	21.7	4.96	21.0	4.77	19.6	4.39
	7.0	6.0	25.4	5.60	24.0	5.23	22.5	4.86	21.7	4.68	21.0	4.50	19.6	4.15
	9.0	7.9	25.4	5.28	24.0	4.92	22.5	4.58	21.7	4.41	21.0	4.25	19.6	3.92
	11.0	9.8	25.4	4.97	24.0	4.64	22.5	4.33	21.7	4.17	21.0	4.01	19.6	3.71
13.0	11.8	25.4	4.68	24.0	4.38	22.5	4.08	21.7	3.93	21.0	3.79	19.6	3.51	
15.0	13.7	25.4	4.42	24.0	4.13	22.5	3.86	21.7	3.71	21.0	3.59	19.6	3.33	

GMV5 DC Inverter VRF Units Technical Sales Guide

Combination	Outdoor air temp.		Indoor air temperature. °CDB											
			16		18		20		21		22		24	
	°CDB	°CWB	TC	PI	TC	PI	TC	PI	TC	PI	TC	PI	TC	PI
80	-19.8	-20.0	15.8	5.74	15.7	5.90	15.7	6.08	15.7	6.16	15.6	6.25	15.6	6.41
	-18.8	-19.0	16.0	5.79	16.0	5.96	16.0	6.13	16.0	6.21	16.0	6.29	15.9	6.46
	-16.7	-17.0	16.7	5.91	16.6	6.07	16.6	6.23	16.6	6.31	16.6	6.39	16.5	6.55
	-13.7	-15.0	17.4	6.03	17.3	6.18	17.3	6.34	17.3	6.41	17.2	6.49	17.2	6.65
	-11.8	-13.0	18.1	6.15	18.1	6.30	18.0	6.45	18.0	6.52	18.0	6.60	17.5	6.42
	-9.8	-11.0	19.0	6.28	19.0	6.42	18.9	6.56	18.9	6.63	18.7	6.61	17.5	6.06
	-9.5	-10.0	19.4	6.34	19.4	6.48	19.4	6.61	19.4	6.68	18.7	6.42	17.5	5.88
	-8.5	-9.1	19.8	6.40	19.8	6.53	19.8	6.66	19.4	6.52	18.7	6.25	17.5	5.73
	-7.0	-7.6	20.6	6.49	20.6	6.62	20.0	6.48	19.4	6.22	18.7	5.97	17.5	5.50
	-5.0	-5.6	21.7	5.89	21.3	6.57	20.0	6.08	19.4	5.85	18.7	5.61	17.5	5.16
	-3.0	-3.7	22.5	5.93	21.3	6.18	20.0	5.73	19.4	5.53	18.7	5.29	17.5	4.87
	0.0	-0.7	22.5	6.03	21.3	5.61	20.0	5.21	19.4	5.02	18.7	4.82	17.5	4.44
	3.0	2.2	22.5	5.49	21.3	5.12	20.0	4.76	19.4	4.58	18.7	4.41	17.5	4.07
	5.0	4.1	22.5	5.17	21.3	4.83	20.0	4.49	19.4	4.33	18.7	4.17	17.5	3.85
	7.0	6.0	22.5	4.87	21.3	4.56	20.0	4.24	19.4	4.09	18.7	3.94	17.5	3.64
	9.0	7.9	22.5	4.60	21.3	4.30	20.0	4.03	19.4	3.86	18.7	3.73	17.5	3.45
11.0	9.8	22.5	4.34	21.3	4.06	20.0	3.79	19.4	3.66	18.7	3.53	17.5	3.27	
13.0	11.8	22.5	4.09	21.3	3.83	20.0	3.58	19.4	3.46	18.7	3.33	17.5	3.09	
15.0	13.7	22.5	3.87	21.3	3.63	20.0	3.40	19.4	3.28	18.7	3.16	17.5	2.94	

Combination	Outdoor air temp.		Indoor air temperature. °CDB											
			16		18		20		21		22		24	
	°CDB	°CWB	TC	PI	TC	PI	TC	PI	TC	PI	TC	PI	TC	PI
70	-19.8	-20.0	15.7	6.11	15.6	6.25	15.6	6.40	15.6	6.48	15.6	6.55	15.2	6.48
	-18.8	-19.0	16.0	6.16	16.0	6.30	15.9	6.45	15.9	6.52	15.9	6.60	15.2	6.35
	-16.7	-17.0	16.6	6.26	16.6	6.40	16.5	6.54	16.5	6.61	16.4	6.60	15.2	6.05
	-13.7	-15.0	17.3	6.37	17.2	6.50	17.2	6.64	16.9	6.66	16.4	6.28	15.2	5.75
	-11.8	-13.0	18.0	6.48	18.0	6.60	17.5	6.45	16.9	6.20	16.4	5.95	15.2	5.45
	-9.8	-11.0	18.9	6.58	18.7	6.58	17.5	6.09	16.9	5.85	16.4	5.62	15.2	5.16
	-9.5	-10.0	19.4	6.64	18.7	6.38	17.5	5.91	16.9	5.68	16.4	5.46	15.2	5.02
	-8.5	-9.1	19.8	6.68	18.7	6.21	17.5	5.75	16.9	5.53	16.4	5.32	15.2	4.89
	-7.0	-7.6	19.8	6.38	18.7	5.93	17.5	5.50	16.9	5.30	16.4	5.09	15.2	4.68
	-5.0	-5.6	19.8	5.99	18.7	5.58	17.5	5.18	16.9	4.98	16.4	4.79	15.2	4.42
	-3.0	-3.7	19.8	5.64	18.7	5.26	17.5	4.89	16.9	4.71	16.4	4.53	15.2	4.18
	0.0	-0.7	19.8	5.13	18.7	4.82	17.5	4.46	16.9	4.30	16.4	4.14	15.2	3.83
	3.0	2.2	19.8	4.69	18.7	4.11	17.5	4.09	16.9	3.94	16.4	3.80	15.2	3.51
	5.0	4.1	19.8	4.43	18.7	4.14	17.5	3.87	16.9	3.73	16.4	3.60	15.2	3.33
	7.0	6.0	19.8	4.18	18.7	3.92	17.5	3.66	16.9	3.53	16.4	3.41	15.2	3.16
	9.0	7.9	19.8	3.96	18.7	3.71	17.5	3.46	16.9	3.34	16.4	3.23	15.2	2.99
11.0	9.8	19.8	3.74	18.7	3.51	17.5	3.28	16.9	3.17	16.4	3.06	15.2	2.84	
13.0	11.8	19.8	3.53	18.7	3.32	17.5	3.11	16.9	3.01	16.4	2.90	15.2	2.70	
15.0	13.7	19.8	3.35	18.7	3.15	17.5	2.95	16.9	2.86	16.4	2.76	15.2	2.57	

Combination	Outdoor air temp.		Indoor air temperature. °CDB											
			16		18		20		21		22		24	
	°CDB	°CWB	TC	PI	TC	PI	TC	PI	TC	PI	TC	PI	TC	PI
60	-19.8	-20.0	15.6	6.48	15.6	6.60	15.0	6.35	14.5	6.10	14.0	5.86	13.1	5.38
	-18.8	-19.0	15.9	6.53	15.9	6.65	15.0	6.22	14.5	5.98	14.0	5.73	13.1	5.26
	-16.7	-17.0	16.5	6.61	16.0	6.40	15.0	5.93	14.5	5.70	14.0	5.48	13.1	5.03
	-13.7	-15.0	16.9	6.54	16.0	6.08	15.0	5.64	14.5	5.43	14.0	5.21	13.1	4.79
	-11.8	-13.0	16.9	6.19	16.0	5.76	15.0	5.35	14.5	5.15	14.0	4.95	13.1	4.56
	-9.8	-11.0	16.9	5.85	16.0	5.45	15.0	5.06	14.5	4.87	14.0	4.68	13.1	4.32
	-9.5	-10.0	16.9	5.68	16.0	5.30	15.0	4.92	14.5	4.74	14.0	4.56	13.1	4.20
	-8.5	-9.1	16.9	5.53	16.0	5.16	15.0	4.80	14.5	4.62	14.0	4.44	13.1	4.10
	-7.0	-7.6	16.9	5.29	16.0	4.94	15.0	4.59	14.5	4.43	14.0	4.26	13.1	3.93
	-5.0	-5.6	16.9	4.98	16.0	4.66	15.0	4.33	14.5	4.18	14.0	4.02	13.1	3.72
	-3.0	-3.7	16.9	4.71	16.0	4.40	15.0	4.11	14.5	3.96	14.0	3.81	13.1	3.52
	0.0	-0.7	16.9	4.30	16.0	4.03	15.0	3.76	14.5	3.63	14.0	3.49	13.1	3.23
	3.0	2.2	16.9	3.94	16.0	3.70	15.0	3.46	14.5	3.33	14.0	3.22	13.1	0.13
	5.0	4.1	16.9	3.73	16.0	3.50	15.0	3.27	14.5	3.16	14.0	3.05	13.1	2.83
	7.0	6.0	16.9	3.53	16.0	3.31	15.0	3.10	14.5	3.00	14.0	2.90	13.1	2.69
	9.0	7.9	16.9	3.34	16.0	3.14	15.0	2.94	14.5	2.85	14.0	2.75	13.1	2.56
	11.0	9.8	16.9	3.17	16.0	2.98	15.0	2.80	14.5	2.71	14.0	2.61	13.1	2.44
13.0	11.8	16.9	3.00	16.0	2.83	15.0	2.66	14.5	2.57	14.0	2.48	13.1	2.32	
15.0	13.7	16.9	2.86	16.0	2.68	15.0	2.53	14.5	2.45	14.0	2.37	13.1	2.21	

Combination	Outdoor air temp.		Indoor air temperature. °CDB											
			16		18		20		21		22		24	
	°CDB	°CWB	TC	PI	TC	PI	TC	PI	TC	PI	TC	PI	TC	PI
50	-19.8	-20.0	14.1	5.90	13.3	5.49	12.5	5.10	12.1	4.91	11.7	4.72	10.9	4.35
	-18.8	-19.0	14.1	5.77	13.3	5.38	12.5	5.00	12.1	4.81	11.7	4.62	10.9	4.26
	-16.7	-17.0	14.1	5.50	13.3	5.13	12.5	4.78	12.1	4.60	11.7	4.43	10.9	4.08
	-13.7	-15.0	14.1	5.24	13.3	4.89	12.5	4.55	12.1	4.38	11.7	4.22	10.9	3.90
	-11.8	-13.0	14.1	4.98	13.3	4.66	12.5	4.33	12.1	4.17	11.7	4.01	10.9	3.71
	-9.8	-11.0	14.1	4.71	13.3	4.41	12.5	4.11	12.1	3.96	11.7	3.81	10.9	3.53
	-9.5	-10.0	14.1	4.58	13.3	4.28	12.5	4.00	12.1	3.86	11.7	3.71	10.9	3.43
	-8.5	-9.1	14.1	4.47	13.3	4.18	12.5	3.90	12.1	3.76	11.7	3.63	10.9	3.36
	-7.0	-7.6	14.1	4.28	13.3	4.03	12.5	3.74	12.1	3.61	11.7	3.48	10.9	3.23
	-5.0	-5.6	14.1	4.04	13.3	3.79	12.5	3.54	12.1	3.42	11.7	3.30	10.9	3.06
	-3.0	-3.7	14.1	3.83	13.3	3.59	12.5	3.36	12.1	3.24	11.7	3.13	10.9	2.91
	0.0	-0.7	14.1	3.51	13.3	3.30	12.5	3.09	12.1	2.98	11.7	2.88	10.9	2.68
	3.0	2.2	14.1	3.23	13.3	3.04	12.5	2.85	12.1	2.76	11.7	2.67	10.9	2.48
	5.0	4.1	14.1	3.07	13.3	2.88	12.5	2.71	12.1	2.62	11.7	2.53	10.9	2.36
	7.0	6.0	14.1	2.91	13.3	2.74	12.5	2.58	12.1	2.49	11.7	2.41	10.9	2.26
	9.0	7.9	14.1	2.76	13.3	2.61	12.5	2.45	12.1	2.38	11.7	2.30	10.9	2.15
	11.0	9.8	14.1	2.63	13.3	2.48	12.5	2.33	12.1	2.26	11.7	2.19	10.9	2.05
13.0	11.8	14.1	2.50	13.3	2.36	12.5	2.22	12.1	2.16	11.7	2.08	10.9	1.96	
15.0	13.7	14.1	2.38	13.3	2.25	12.5	2.12	12.1	2.06	11.7	1.99	10.9	1.86	

GMV5 DC Inverter VRF Units Technical Sales Guide

GMV-280WM/B-X

TC—Total capacity of outdoor unit; PI—Power input of outdoor unit

Combination	Outdoor air temp.		Indoor air temperature. °CDB											
			16		18		20		21		22		24	
	°CDB	°CWB	TC	PI	TC	PI	TC	PI	TC	PI	TC	PI	TC	PI
130	-19.8	-20.0	20.4	5.16	20.3	5.52	20.2	5.89	20.2	6.07	21.1	6.25	20.1	6.62
	-18.8	-19.0	20.7	5.27	20.6	5.63	20.6	5.99	20.5	6.17	20.5	6.34	20.4	6.70
	-16.7	-17.0	21.5	5.52	21.4	5.86	21.3	6.21	21.3	6.35	21.3	6.55	21.2	6.90
	-13.7	-15.0	22.4	5.77	22.3	6.11	22.2	6.44	22.2	6.60	22.1	6.77	22.1	7.10
	-11.8	-13.0	23.3	6.03	23.3	6.35	23.2	6.66	23.1	6.83	23.1	6.99	23.0	7.30
	-9.8	-11.0	24.4	6.29	24.3	6.60	24.2	6.90	24.2	7.05	24.2	7.20	24.1	7.51
	-9.5	-10.0	25.0	6.43	24.9	6.72	24.8	7.02	24.8	7.17	24.7	7.31	24.7	7.60
	-8.5	-9.1	25.5	6.54	25.4	6.83	25.4	7.12	25.3	7.26	25.3	7.40	25.2	7.70
	-7.0	-7.6	26.4	6.73	26.4	7.02	26.3	7.29	26.3	7.43	26.2	7.57	26.1	7.85
	-5.0	-5.6	27.8	6.99	27.7	7.11	27.6	7.52	27.6	7.65	27.5	7.77	27.5	8.04
	-3.0	-3.7	29.1	7.21	29.0	7.47	29.0	7.72	28.9	7.85	28.9	7.97	28.8	8.22
	0.0	-0.7	31.4	7.57	31.4	7.80	31.3	8.03	31.3	8.14	31.2	8.27	31.2	8.49
	3.0	2.2	33.9	7.88	33.8	8.10	33.7	8.31	33.7	8.42	33.7	8.53	33.6	8.74
	5.0	4.1	35.6	8.08	35.5	8.29	35.5	8.48	35.4	8.59	35.4	8.69	35.3	8.89
	7.0	6.0	37.4	8.27	37.3	8.46	37.3	8.66	37.2	8.80	37.2	8.84	35.7	8.49
	9.0	7.9	39.3	8.44	39.2	8.63	39.2	8.81	39.1	8.90	38.3	8.72	35.7	7.98
11.0	9.8	41.3	8.61	41.2	8.78	41.0	8.89	39.6	8.54	38.3	8.19	35.7	7.52	
13.0	11.8	43.5	8.77	43.4	8.94	41.0	8.33	39.6	8.00	38.3	7.69	35.7	7.05	
15.0	13.7	45.6	8.92	43.6	8.47	41.0	7.85	39.6	7.55	38.3	7.24	35.7	6.65	

Combination	Outdoor air temp.		Indoor air temperature. °CDB											
			16		18		20		21		22		24	
	°CDB	°CWB	TC	PI	TC	PI	TC	PI	TC	PI	TC	PI	TC	PI
120	-19.8	-20.0	20.3	5.65	20.2	5.98	20.1	6.32	20.1	6.48	20.1	6.65	20.0	7.00
	-18.8	-19.0	20.6	5.75	20.5	6.09	20.5	6.35	20.4	6.58	20.4	6.75	20.3	7.08
	-16.7	-17.0	21.4	5.98	21.3	6.30	21.3	6.62	21.2	6.78	21.2	6.94	21.1	7.25
	-13.7	-15.0	22.3	6.22	22.2	6.52	22.1	6.83	22.1	6.99	22.1	7.14	22.0	7.44
	-11.8	-13.0	23.2	6.46	23.2	6.75	23.1	7.04	23.1	7.20	23.0	7.34	23.0	7.63
	-9.8	-11.0	24.3	6.70	24.2	6.98	24.2	7.26	24.1	7.40	24.1	7.54	24.0	7.83
	-9.5	-10.0	24.9	6.83	24.8	7.10	24.7	7.37	24.7	7.51	24.7	7.58	24.6	7.92
	-8.5	-9.1	25.4	6.93	25.3	7.20	25.3	7.46	25.2	7.59	25.2	7.74	25.1	8.00
	-7.0	-7.6	26.3	7.11	26.3	7.37	26.2	7.62	26.2	7.75	26.1	7.88	26.1	8.13
	-5.0	-5.6	27.7	7.34	27.6	7.58	27.5	7.83	27.5	7.95	27.5	8.08	27.4	8.31
	-3.0	-3.7	29.0	7.56	29.0	7.79	28.9	8.02	28.9	8.13	28.8	8.26	28.8	8.48
	0.0	-0.7	31.3	7.88	31.3	8.10	31.2	8.41	31.2	8.42	31.1	8.52	31.1	8.74
	3.0	2.2	33.8	8.17	33.7	8.37	33.7	8.57	33.6	8.67	33.6	8.77	32.9	8.72
	5.0	4.1	35.5	8.35	35.4	8.54	35.4	8.73	35.3	8.83	35.3	8.92	32.9	8.19
	7.0	6.0	37.3	8.52	37.3	8.70	37.2	8.88	36.6	8.76	35.4	8.40	32.9	7.71
	9.0	7.9	39.2	8.69	39.1	8.86	37.8	8.57	36.6	8.23	35.4	7.90	32.9	7.25
11.0	9.8	41.2	8.84	40.2	8.69	37.8	8.06	36.6	7.75	35.4	7.43	32.9	6.84	
13.0	11.8	42.7	8.76	40.2	8.15	37.8	7.56	36.6	7.27	35.4	6.99	32.9	6.43	
15.0	13.7	42.7	8.25	40.2	7.68	37.8	7.13	36.6	6.85	35.4	6.59	32.9	6.07	

Combination	Outdoor air temp.		Indoor air temperature. °CDB											
			16		18		20		21		22		24	
	°CDB	°CWB	TC	PI	TC	PI	TC	PI	TC	PI	TC	PI	TC	PI
110	-19.8	-20.0	20.2	6.14	20.1	6.45	20.0	6.76	20.0	6.91	20.0	7.06	19.9	7.38
	-18.8	-19.0	20.5	6.24	20.5	6.54	220.4	6.84	20.4	7.00	20.3	7.15	20.3	7.45
	-16.7	-17.0	21.3	6.45	21.2	6.74	21.2	7.03	21.1	7.18	21.1	7.33	21.0	7.61
	-13.7	-15.0	22.2	6.66	22.1	6.95	22.0	7.22	22.0	7.37	22.0	7.51	21.9	7.78
	-11.8	-13.0	23.1	6.89	23.1	7.16	23.0	7.42	23.0	7.56	22.9	7.69	22.9	7.96
	-9.8	-11.0	24.2	7.11	24.1	7.37	24.1	7.62	24.0	7.75	24.0	7.88	24.0	8.13
	-9.5	-10.0	24.8	7.22	24.7	7.47	24.6	7.73	24.6	7.85	24.6	7.97	24.5	8.22
	-8.5	-9.1	25.3	7.32	25.2	7.57	25.2	7.81	25.2	7.93	25.1	8.06	25.1	8.30
	-7.0	-7.6	26.2	7.49	26.2	7.72	26.1	7.95	26.1	8.08	26.4	8.19	26.0	8.43
	-5.0	-5.6	27.6	7.70	27.5	7.93	27.4	8.14	27.4	8.26	28.7	8.37	27.3	8.60
	-3.0	-3.7	28.9	7.90	28.9	8.11	28.8	8.32	28.8	8.43	31.1	8.53	28.7	8.75
	0.0	-0.7	31.2	8.19	31.2	8.39	31.1	8.59	31.1	8.68	32.4	8.79	30.2	8.62
	3.0	2.2	33.7	8.47	33.6	8.65	33.6	8.83	33.5	8.91	32.4	8.55	30.2	7.84
	5.0	4.1	35.4	8.63	35.4	8.81	34.7	8.72	33.5	8.37	32.4	8.04	30.2	7.38
	7.0	6.0	37.2	8.79	36.9	8.84	34.7	8.19	33.5	7.87	32.4	7.56	30.2	6.94
	9.0	7.9	39.1	8.93	36.9	8.31	34.7	7.71	33.5	7.40	32.4	7.11	30.2	6.54
11.0	9.8	39.1	8.40	36.9	7.82	34.7	7.25	33.5	6.98	32.4	6.70	30.2	6.17	
13.0	11.8	39.1	7.88	36.9	7.34	34.7	6.82	33.5	6.56	32.4	6.30	30.2	5.81	
15.0	13.7	39.1	7.42	36.9	6.92	34.7	6.44	33.5	6.19	32.4	5.96	30.2	5.50	

Combination	Outdoor air temp.		Indoor air temperature. °CDB											
			16		18		20		21		22		24	
	°CDB	°CWB	TC	PI	TC	PI	TC	PI	TC	PI	TC	PI	TC	PI
100	-19.8	-20.0	20.1	6.64	20.0	6.91	20.0	7.20	19.9	7.34	19.9	7.47	19.8	7.75
	-18.8	-19.0	20.4	6.72	20.4	7.00	20.3	7.27	20.3	7.41	20.2	7.56	20.2	7.83
	-16.7	-17.0	21.2	6.91	21.1	7.18	21.1	7.44	21.1	7.57	21.0	7.71	21.0	7.97
	-13.7	-15.0	22.1	7.11	22.0	7.37	22.0	7.62	21.9	7.75	21.9	7.88	21.8	8.13
	-11.8	-13.0	23.0	7.32	23.0	7.56	22.9	7.80	22.9	7.93	22.9	7.76	22.8	8.30
	-9.8	-11.0	24.1	7.52	24.0	7.75	24.0	7.98	24.0	8.11	23.9	8.22	23.9	8.45
	-9.5	-10.0	24.7	7.62	24.6	7.85	24.6	8.08	24.5	8.19	24.5	8.30	24.4	8.53
	-8.5	-9.1	25.2	7.71	25.2	7.93	25.1	8.15	25.1	8.27	25.0	8.38	25.0	8.60
	-7.0	-7.6	26.1	7.86	26.1	8.08	26.0	8.29	26.0	8.40	26.0	8.50	25.9	8.72
	-5.0	-5.6	27.5	8.06	27.4	8.26	27.4	8.47	27.3	8.57	27.3	8.66	27.3	8.87
	-3.0	-3.7	28.8	8.24	28.8	8.43	28.7	8.63	28.7	8.72	28.7	8.82	27.5	8.45
	0.0	-0.7	31.1	8.51	31.1	8.68	31.0	8.86	30.5	8.72	29.5	8.36	27.5	7.68
	3.0	2.2	33.6	8.75	33.5	8.91	31.5	8.25	30.5	7.93	29.5	7.61	27.5	6.99
	5.0	4.1	35.3	8.91	33.5	8.37	31.5	7.75	30.5	7.46	29.5	7.17	27.5	6.59
	7.0	6.0	35.5	8.46	33.5	7.87	31.5	7.30	30.5	7.02	29.5	6.75	27.5	6.21
	9.0	7.9	35.5	7.94	33.5	7.40	31.5	6.87	30.5	6.62	29.5	6.36	27.5	5.86
11.0	9.8	35.5	7.48	33.5	6.98	31.5	6.48	30.5	6.24	29.5	6.00	27.5	5.54	
13.0	11.8	35.5	7.02	33.5	6.56	31.5	6.11	30.5	5.88	29.5	5.66	27.5	5.22	
15.0	13.7	35.5	6.63	33.5	6.19	31.5	5.76	30.5	5.56	29.5	5.35	27.5	4.95	

GMV5 DC Inverter VRF Units Technical Sales Guide

Combination	Outdoor air temp.		Indoor air temperature. °CDB											
			16		18		20		21		22		24	
	°CDB	°CWB	TC	PI	TC	PI	TC	PI	TC	PI	TC	PI	TC	PI
90	-19.8	-20.0	20.0	7.13	19.9	7.38	19.9	7.63	19.8	7.75	19.8	7.89	19.8	8.13
	-18.8	-19.0	20.3	7.20	20.3	7.46	20.2	7.71	20.2	7.83	20.2	7.95	20.1	8.20
	-16.7	-17.0	21.1	7.38	21.0	7.62	21.0	7.86	21.0	7.98	20.9	8.10	20.9	8.33
	-13.7	-15.0	22.0	7.57	21.9	7.79	21.9	8.02	21.8	8.06	21.8	8.25	21.8	8.48
	-11.8	-13.0	22.9	7.75	22.9	7.96	22.8	8.18	22.8	8.30	22.8	8.40	22.7	8.62
	-9.8	-11.0	24.0	7.93	24.0	8.13	23.9	8.34	23.9	8.46	23.9	8.56	23.8	8.77
	-9.5	-10.0	24.6	8.02	24.5	8.23	24.5	8.43	24.4	8.53	24.4	8.64	24.4	8.84
	-8.5	-9.1	25.1	8.11	25.1	8.30	25.0	8.50	25.0	8.60	25.0	8.70	24.7	8.79
	-7.0	-7.6	26.0	8.24	26.0	8.43	25.9	8.63	25.9	8.72	25.9	8.82	24.7	8.39
	-5.0	-5.6	27.4	8.42	27.3	8.60	27.3	8.78	27.3	8.87	26.5	8.60	24.7	7.89
	-3.0	-3.7	28.7	8.58	28.7	7.80	28.4	8.79	27.4	8.44	26.5	8.10	24.7	7.43
	0.0	-0.7	31.1	8.83	30.2	7.66	28.4	7.97	27.4	7.66	26.5	7.36	24.7	6.76
	3.0	2.2	32.0	8.41	30.2	7.83	28.4	7.26	27.4	6.99	26.5	6.71	24.7	6.18
	5.0	4.1	32.0	7.91	30.2	7.37	28.4	6.84	27.4	6.58	26.5	6.33	24.7	5.83
	7.0	6.0	32.0	7.43	30.2	6.94	28.4	6.45	27.4	6.21	26.5	5.97	24.7	5.51
	9.0	7.9	32.0	7.01	30.2	6.53	28.4	6.08	27.4	5.86	26.5	5.64	24.7	5.20
	11.0	9.8	32.0	6.60	30.2	6.16	28.4	5.74	27.4	5.54	26.5	5.33	24.7	4.93
13.0	11.8	32.0	6.21	30.2	5.81	28.4	5.41	27.4	5.22	26.5	5.03	24.7	4.65	
15.0	13.7	32.0	5.87	30.2	5.49	28.4	5.13	27.4	4.93	26.5	4.77	24.7	4.42	

Combination	Outdoor air temp.		Indoor air temperature. °CDB											
			16		18		20		21		22		24	
	°CDB	°CWB	TC	PI	TC	PI	TC	PI	TC	PI	TC	PI	TC	PI
80	-19.8	-20.0	19.9	7.62	19.8	7.84	19.8	8.07	19.8	8.18	19.7	8.30	19.7	8.51
	-18.8	-19.0	20.2	7.69	20.2	7.92	20.1	8.13	20.1	8.25	20.1	8.35	20.0	8.58
	-16.7	-17.0	21.0	7.85	20.9	8.06	20.9	8.28	20.9	8.38	20.9	8.48	20.8	8.69
	-13.7	-15.0	21.9	8.01	21.8	8.21	21.8	8.42	21.8	8.51	21.7	8.62	21.7	8.83
	-11.8	-13.0	22.8	8.17	22.8	8.37	22.7	8.56	22.7	8.66	22.7	8.76	22.0	8.52
	-9.8	-11.0	23.9	8.33	23.9	8.52	23.8	8.71	23.8	8.80	23.6	8.78	22.0	8.05
	-9.5	-10.0	24.5	8.42	24.4	8.60	24.4	8.78	24.4	8.87	23.6	8.52	22.0	7.81
	-8.5	-9.1	25.0	8.49	25.0	8.67	24.9	8.84	24.4	8.66	23.6	8.30	22.0	7.60
	-7.0	-7.6	25.9	8.62	25.9	8.79	25.2	8.60	24.4	8.26	23.6	7.93	22.0	7.30
	-5.0	-5.6	27.3	7.82	26.8	8.72	25.2	8.08	24.4	7.76	23.6	7.45	22.0	6.84
	-3.0	-3.7	28.4	7.87	26.8	8.21	25.2	7.60	24.4	7.35	23.6	7.02	22.0	6.47
	0.0	-0.7	28.4	8.00	26.8	7.45	25.2	6.92	24.4	6.66	23.6	6.40	22.0	5.90
	3.0	2.2	28.4	7.29	26.8	6.80	25.2	6.32	24.4	6.09	23.6	5.86	22.0	5.40
	5.0	4.1	28.4	6.86	26.8	6.41	25.2	5.96	24.4	5.74	23.6	5.54	22.0	5.11
	7.0	6.0	28.4	6.47	26.8	6.06	25.2	5.63	24.4	5.43	23.6	5.23	22.0	4.83
	9.0	7.9	28.4	6.11	26.8	5.71	25.2	5.35	24.4	5.13	23.6	4.95	22.0	4.58
	11.0	9.8	28.4	5.76	26.8	5.39	25.2	5.03	24.4	4.85	23.6	4.68	22.0	4.34
13.0	11.8	28.4	5.43	26.8	5.09	25.2	4.76	24.4	4.59	23.6	4.43	22.0	4.10	
15.0	13.7	28.4	5.14	26.8	4.83	25.2	4.51	24.4	4.35	23.6	4.20	22.0	3.91	

Combination	Outdoor air temp.		Indoor air temperature. °CDB											
			16		18		20		21		22		24	
	°CDB	°CWB	TC	PI	TC	PI	TC	PI	TC	PI	TC	PI	TC	PI
70	-19.8	-20.0	19.8	8.11	19.7	8.30	19.7	8.50	19.7	8.60	19.7	8.70	19.2	8.61
	-18.8	-19.0	20.1	8.18	20.1	8.37	20.0	8.56	20.0	8.66	20.0	8.76	19.2	8.43
	-16.7	-17.0	20.9	8.31	20.9	8.50	20.8	8.68	20.8	8.78	20.6	8.77	19.2	8.04
	-13.7	-15.0	21.8	8.46	21.7	8.64	21.7	8.82	21.3	84.52	20.6	8.33	19.2	7.64
	-11.8	-13.0	22.7	8.60	22.7	8.77	22.1	8.56	21.3	8.23	20.6	7.90	19.2	7.24
	-9.8	-11.0	23.8	8.74	23.5	8.73	22.1	8.09	21.3	7.77	20.6	7.46	19.2	6.85
	-9.5	-10.0	24.4	8.82	23.5	8.48	22.1	7.85	21.3	7.55	20.6	7.25	19.2	6.66
	-8.5	-9.1	24.9	8.86	23.5	8.25	22.1	7.64	21.3	7.35	20.6	7.06	19.2	6.49
	-7.0	-7.6	24.9	8.47	23.5	7.88	22.1	7.31	21.3	7.03	20.6	6.76	19.2	6.22
	-5.0	-5.6	24.9	7.95	23.5	7.41	22.1	6.88	21.3	6.62	20.6	6.36	19.2	5.87
	-3.0	-3.7	24.9	7.49	23.5	6.99	22.1	6.49	21.3	6.25	20.6	6.01	19.2	5.55
	0.0	-0.7	24.9	6.82	23.5	6.40	22.1	5.93	21.3	5.71	20.6	5.50	19.2	5.08
	3.0	2.2	24.9	6.23	23.5	6.14	22.1	5.43	21.3	5.23	20.6	5.04	19.2	4.66
	5.0	4.1	24.9	5.88	23.5	5.50	22.1	5.14	21.3	4.95	20.6	4.78	19.2	4.42
	7.0	6.0	24.9	5.56	23.5	5.20	22.1	4.85	21.3	4.68	20.6	4.52	19.2	4.19
	9.0	7.9	24.9	5.25	23.5	4.92	22.1	4.60	21.3	4.44	20.6	4.28	19.2	3.97
11.0	9.8	24.9	4.97	23.5	4.65	22.1	4.36	21.3	4.21	20.6	4.07	19.2	3.77	
13.0	11.8	24.9	4.69	23.5	4.41	22.1	4.12	21.3	3.99	20.6	3.85	19.2	3.58	
15.0	13.7	24.9	4.45	23.5	4.18	22.1	3.92	21.3	3.79	20.6	3.66	19.2	3.41	

Combination	Outdoor air temp.		Indoor air temperature. °CDB											
			16		18		20		21		22		24	
	°CDB	°CWB	TC	PI	TC	PI	TC	PI	TC	PI	TC	PI	TC	PI
60	-19.8	-20.0	19.7	8.61	19.6	8.77	18.9	8.44	18.3	8.11	17.7	7.78	16.5	7.14
	-18.8	-19.0	20.0	8.66	20.0	8.83	18.9	8.26	18.3	7.93	17.7	7.61	16.5	6.99
	-16.7	-17.0	20.8	8.78	20.1	8.50	18.9	7.88	18.3	7.57	17.7	7.27	16.5	6.68
	-13.7	-15.0	21.3	8.68	20.1	8.08	18.9	7.49	18.3	7.20	17.7	6.92	16.5	6.36
	-11.8	-13.0	21.3	8.22	20.1	7.65	18.9	7.10	18.3	6.84	17.7	6.57	16.5	6.05
	-9.8	-11.0	21.3	7.76	20.1	7.23	18.9	6.72	18.3	6.47	17.7	6.22	16.5	5.74
	-9.5	-10.0	21.3	7.55	20.1	7.03	18.9	6.53	18.3	6.29	17.7	6.05	16.5	5.57
	-8.5	-9.1	21.3	7.35	20.1	6.85	18.9	6.37	18.3	6.13	17.7	5.90	16.5	5.44
	-7.0	-7.6	21.3	7.02	20.1	6.56	18.9	6.10	18.3	5.88	17.7	5.65	16.5	5.22
	-5.0	-5.6	21.3	6.62	20.1	6.18	18.9	5.75	18.3	5.55	17.7	5.34	16.5	4.94
	-3.0	-3.7	21.3	6.25	20.1	5.84	18.9	5.46	18.3	5.25	17.7	5.05	16.5	4.67
	0.0	-0.7	21.3	5.71	20.1	5.35	18.9	4.99	18.3	4.82	17.7	4.64	16.5	4.29
	3.0	2.2	21.3	5.23	20.1	4.91	18.9	4.59	18.3	4.43	17.7	4.28	16.5	0.17
	5.0	4.1	21.3	4.95	20.1	4.65	18.9	4.34	18.3	4.20	17.7	4.05	16.5	3.76
	7.0	6.0	21.3	4.68	20.1	4.40	18.9	4.11	18.3	3.98	17.7	3.85	16.5	3.57
	9.0	7.9	21.3	4.44	20.1	4.17	18.9	3.91	18.3	3.78	17.7	3.65	16.5	3.40
11.0	9.8	21.3	4.21	20.1	3.96	18.9	3.72	18.3	3.59	17.7	3.47	16.5	3.24	
13.0	11.8	21.3	3.98	20.1	3.75	18.9	3.53	18.3	3.41	17.7	3.30	16.5	3.08	
15.0	13.7	21.3	3.79	20.1	3.56	18.9	3.36	18.3	3.25	17.7	3.15	16.5	2.94	

GMV5 DC Inverter VRF Units Technical Sales Guide

Combination	Outdoor air temp.		Indoor air temperature. °CDB											
			16		18		20		21		22		24	
	°CDB	°CWB	TC	PI	TC	PI	TC	PI	TC	PI	TC	PI	TC	PI
50	-19.8	-20.0	17.8	7.83	16.8	7.29	15.8	6.77	15.2	6.52	14.7	6.27	13.7	5.77
	-18.8	-19.0	17.8	7.66	16.8	7.14	15.8	6.64	15.2	6.38	14.7	6.13	13.7	5.66
	-16.7	-17.0	17.8	7.31	16.8	6.82	15.8	6.34	15.2	6.11	14.7	5.88	13.7	5.42
	-13.7	-15.0	17.8	6.96	16.8	6.49	15.8	6.04	15.2	5.82	14.7	5.60	13.7	5.18
	-11.8	-13.0	17.8	6.61	16.8	6.18	15.8	5.74	15.2	5.54	14.7	5.33	13.7	4.93
	-9.8	-11.0	17.8	6.26	16.8	5.85	15.8	5.45	15.2	5.25	14.7	5.06	13.7	4.68
	-9.5	-10.0	17.8	6.09	16.8	5.69	15.8	5.31	15.2	5.12	14.7	4.93	13.7	4.56
	-8.5	-9.1	17.8	5.93	16.8	5.56	15.8	5.18	15.2	5.00	14.7	4.82	13.7	4.46
	-7.0	-7.6	17.8	5.69	16.8	5.35	15.8	4.97	15.2	4.80	14.7	4.63	13.7	4.28
	-5.0	-5.6	17.8	5.37	16.8	5.03	15.8	4.70	15.2	4.54	14.7	4.38	13.7	4.06
	-3.0	-3.7	17.8	5.08	16.8	4.77	15.8	4.46	15.2	4.30	14.7	4.15	13.7	3.86
	0.0	-0.7	17.8	4.66	16.8	4.38	15.8	4.10	15.2	3.96	14.7	3.83	13.7	3.56
	3.0	2.2	17.8	4.29	16.8	4.04	15.8	3.78	15.2	3.66	14.7	3.55	13.7	3.30
	5.0	4.1	17.8	4.08	16.8	3.83	15.8	3.59	15.2	3.48	14.7	3.37	13.7	3.14
	7.0	6.0	17.8	3.87	16.8	3.64	15.8	3.42	15.2	3.31	14.7	3.20	13.7	3.00
	9.0	7.9	17.8	3.67	16.8	3.46	15.8	3.25	15.2	3.16	14.7	3.05	13.7	2.85
11.0	9.8	17.8	3.49	16.8	3.29	15.8	3.10	15.2	3.01	14.7	2.91	13.7	2.72	
13.0	11.8	17.8	3.32	16.8	3.13	15.8	2.95	15.2	2.86	14.7	2.77	13.7	2.60	
15.0	13.7	17.8	3.16	16.8	2.99	15.8	2.82	15.2	2.73	14.7	2.64	13.7	2.47	

GMV-335WM/B-X

TC—Total capacity of outdoor unit; PI—Power input of outdoor unit

Combination	Outdoor air temp.		Indoor air temperature. °CDB											
			16		18		20		21		22		24	
	°CDB	°CWB	TC	PI	TC	PI	TC	PI	TC	PI	TC	PI	TC	PI
130	-19.8	-20.0	24.3	6.36	24.2	6.80	24.0	7.26	24.0	7.48	23.9	7.70	23.9	8.16
	-18.8	-19.0	24.6	6.50	24.5	6.94	24.5	7.39	24.4	7.61	24.4	7.82	24.3	8.26
	-16.7	-17.0	25.6	6.80	25.5	7.22	25.3	7.66	25.3	7.83	25.3	8.08	25.2	8.51
	-13.7	-15.0	26.7	7.12	26.5	7.53	26.4	7.94	26.4	8.14	26.3	8.35	26.3	8.76
	-11.8	-13.0	27.7	7.43	27.7	7.83	27.6	8.22	27.5	8.42	27.5	8.62	27.4	9.00
	-9.8	-11.0	29.0	7.76	28.9	8.14	28.8	8.51	28.8	8.70	28.8	8.88	28.7	9.26
	-9.5	-10.0	29.8	7.93	29.6	8.29	29.5	8.65	29.5	8.84	29.4	9.01	29.4	9.38
	-8.5	-9.1	30.3	8.07	30.2	8.42	30.2	8.78	30.1	8.95	30.1	9.13	30.0	9.49
	-7.0	-7.6	31.4	8.30	31.4	8.65	31.3	8.99	31.3	9.16	31.2	9.33	31.1	9.68
	-5.0	-5.6	33.1	8.62	33.0	8.77	32.8	9.27	32.8	9.43	32.7	9.59	32.7	9.91
	-3.0	-3.7	34.6	8.90	34.5	9.21	34.5	9.52	34.4	9.68	34.4	9.83	34.3	10.14
	0.0	-0.7	37.4	9.33	37.4	9.62	37.2	9.90	37.2	10.04	37.1	10.19	37.1	10.47
	3.0	2.2	40.3	9.71	40.2	9.98	40.1	10.25	40.1	10.38	40.1	10.52	40.0	10.78
	5.0	4.1	42.4	9.96	42.2	10.22	42.2	10.46	42.1	10.59	42.1	10.72	42.0	10.97
	7.0	6.0	44.5	10.19	44.4	10.43	44.4	10.67	44.3	9.62	44.3	10.91	42.5	10.47
	9.0	7.9	46.8	10.40	46.6	10.64	46.6	10.86	46.5	10.98	45.6	10.75	42.5	9.84
11.0	9.8	49.1	10.61	49.0	10.82	48.8	10.97	47.1	10.53	45.6	10.10	42.5	9.27	
13.0	11.8	51.8	10.81	51.6	11.02	48.8	10.28	47.1	9.87	45.6	9.48	42.5	8.70	
15.0	13.7	54.3	11.00	51.9	10.44	48.8	9.68	47.1	9.31	45.6	8.93	42.5	8.21	

Combination	Outdoor air temp.		Indoor air temperature. °CDB											
			16		18		20		21		22		24	
	°CDB	°CWB	TC	PI	TC	PI	TC	PI	TC	PI	TC	PI	TC	PI
120	-19.8	-20.0	24.2	6.97	24.0	7.38	23.9	7.80	23.9	8.00	23.9	8.21	23.8	8.63
	-18.8	-19.0	24.5	7.10	24.4	7.50	24.4	7.83	24.3	8.11	24.3	8.32	24.2	8.73
	-16.7	-17.0	25.5	7.38	25.3	7.77	25.3	8.16	25.2	8.36	25.2	8.56	25.1	8.94
	-13.7	-15.0	26.5	7.67	26.4	8.04	26.3	8.42	26.3	8.62	26.3	8.80	26.2	9.18
	-11.8	-13.0	27.6	7.96	27.6	8.32	27.5	8.69	27.5	8.87	27.4	9.05	27.4	9.41
	-9.8	-11.0	28.9	8.26	28.8	8.60	28.8	8.95	28.7	9.13	28.7	9.29	28.6	9.66
	-9.5	-10.0	29.6	8.42	29.5	8.76	29.4	9.08	29.4	9.26	29.4	9.35	29.3	9.76
	-8.5	-9.1	30.2	8.55	30.1	8.87	30.1	9.20	30.0	9.36	30.0	9.54	29.9	9.87
	-7.0	-7.6	31.3	8.77	31.3	9.08	31.2	9.40	31.2	9.56	31.1	9.71	31.1	10.03
	-5.0	-5.6	33.0	9.05	32.8	9.35	32.7	9.66	32.7	9.81	32.7	9.96	32.6	10.25
	-3.0	-3.7	34.5	9.32	34.5	9.61	34.4	9.89	34.4	10.03	34.3	10.18	34.3	10.46
	0.0	-0.7	37.2	9.71	37.2	9.98	37.1	10.37	37.1	10.38	37.0	10.51	37.0	10.78
	3.0	2.2	40.2	10.08	40.1	10.32	40.1	10.57	40.0	10.70	40.0	10.81	39.2	10.75
	5.0	4.1	42.2	10.30	42.1	10.53	42.1	10.77	42.0	10.88	42.0	11.00	39.2	10.10
	7.0	6.0	44.4	10.51	44.4	10.73	44.3	10.95	43.6	10.80	42.1	10.36	39.2	9.50
	9.0	7.9	46.6	10.72	46.5	10.93	45.0	10.57	43.6	10.15	42.1	9.74	39.2	8.94
11.0	9.8	49.0	10.91	47.8	10.72	45.0	9.94	43.6	9.55	42.1	9.16	39.2	8.43	
13.0	11.8	50.8	10.80	47.8	10.05	45.0	9.32	43.6	8.97	42.1	8.62	39.2	7.93	
15.0	13.7	50.8	10.17	47.8	9.47	45.0	8.79	43.6	8.45	42.1	8.12	39.2	7.48	

Combination	Outdoor air temp.		Indoor air temperature. °CDB											
			16		18		20		21		22		24	
	°CDB	°CWB	TC	PI	TC	PI	TC	PI	TC	PI	TC	PI	TC	PI
110	-19.8	-20.0	24.0	7.58	23.9	7.95	23.8	8.33	23.8	8.52	23.8	8.71	23.7	9.09
	-18.8	-19.0	24.4	7.69	24.4	8.07	262.3	8.44	24.3	8.63	24.2	8.81	24.2	9.19
	-16.7	-17.0	25.3	7.95	25.2	8.31	25.2	8.67	25.1	8.85	25.1	9.04	25.0	9.39
	-13.7	-15.0	26.4	8.22	26.3	8.57	26.2	8.91	26.2	9.08	26.2	9.26	26.1	9.60
	-11.8	-13.0	27.5	8.50	27.5	8.83	27.4	9.15	27.4	9.32	27.3	9.48	27.3	9.82
	-9.8	-11.0	28.8	8.77	28.7	9.08	28.7	9.40	28.6	9.56	28.6	9.71	28.6	10.03
	-9.5	-10.0	29.5	8.91	29.4	9.21	29.3	9.53	29.3	9.68	29.3	9.83	29.2	10.14
	-8.5	-9.1	30.1	9.02	30.0	9.33	30.0	9.63	30.0	9.78	29.9	9.94	29.9	10.23
	-7.0	-7.6	31.2	9.24	31.2	9.52	31.1	9.81	31.1	9.96	31.4	10.10	30.9	10.39
	-5.0	-5.6	32.8	9.49	32.7	9.77	32.6	10.04	32.6	10.18	34.2	10.32	32.5	10.60
	-3.0	-3.7	34.4	9.74	34.4	9.99	34.3	10.26	34.3	10.39	37.0	10.52	34.2	10.79
	0.0	-0.7	37.1	10.10	37.1	10.35	37.0	10.59	37.0	10.71	38.6	10.84	35.9	10.63
	3.0	2.2	40.1	10.44	40.0	10.66	40.0	10.88	39.9	10.99	38.6	10.54	35.9	9.67
	5.0	4.1	42.1	10.64	42.1	10.86	41.3	10.75	39.9	10.32	38.6	9.91	35.9	9.09
	7.0	6.0	44.3	10.84	43.9	10.91	41.3	10.10	39.9	9.70	38.6	9.32	35.9	8.56
	9.0	7.9	46.5	11.01	43.9	10.25	41.3	9.50	39.9	9.13	38.6	8.77	35.9	8.07
11.0	9.8	46.5	10.36	43.9	9.64	41.3	8.94	39.9	8.60	38.6	8.26	35.9	7.61	
13.0	11.8	46.5	9.71	43.9	9.05	41.3	8.41	39.9	8.09	38.6	7.77	35.9	7.17	
15.0	13.7	46.5	9.15	43.9	8.53	41.3	7.94	39.9	7.63	38.6	7.35	35.9	6.78	

GMV5 DC Inverter VRF Units Technical Sales Guide

Combination	Outdoor air temp.		Indoor air temperature. °CDB											
			16		18		20		21		22		24	
	°CDB	°CWB	TC	PI	TC	PI	TC	PI	TC	PI	TC	PI	TC	PI
			kW	kW	kW	kW	kW	kW	kW	kW	kW	kW	kW	kW
100	-19.8	-20.0	23.9	8.18	23.8	8.52	23.8	8.87	23.7	9.05	23.7	9.21	23.6	9.56
	-18.8	-19.0	24.3	8.29	24.3	8.63	24.2	8.97	24.2	9.14	24.0	9.32	24.0	9.66
	-16.7	-17.0	25.2	8.52	25.1	8.85	25.1	9.18	25.1	9.34	25.0	9.50	25.0	9.83
	-13.7	-15.0	26.3	8.77	26.2	9.08	26.2	9.40	26.1	9.56	26.1	9.71	25.9	10.03
	-11.8	-13.0	27.4	9.02	27.4	9.32	27.3	9.62	27.3	9.77	27.3	9.57	27.1	10.23
	-9.8	-11.0	28.7	9.27	28.6	9.56	28.6	9.84	28.6	9.99	28.4	10.14	28.4	10.42
	-9.5	-10.0	29.4	9.40	29.3	9.68	29.3	9.96	29.2	10.10	29.2	10.24	29.0	10.52
	-8.5	-9.1	30.0	9.50	30.0	9.78	29.9	10.05	29.9	10.19	29.8	10.33	29.8	10.60
	-7.0	-7.6	31.1	9.69	31.1	9.96	30.9	10.22	30.9	10.36	30.9	10.49	30.8	10.75
	-5.0	-5.6	32.7	9.94	32.6	10.18	32.6	10.44	32.5	10.57	32.5	10.68	32.5	10.94
	-3.0	-3.7	34.3	10.16	34.3	10.39	34.2	10.64	34.2	10.75	34.2	10.87	32.7	10.42
	0.0	-0.7	37.0	10.50	37.0	10.71	36.9	10.93	36.3	10.75	35.1	10.31	32.7	9.47
	3.0	2.2	40.0	10.79	39.9	10.99	37.5	10.17	36.3	9.77	35.1	9.39	32.7	8.62
	5.0	4.1	42.0	10.99	39.9	10.32	37.5	9.56	36.3	9.20	35.1	8.84	32.7	8.12
	7.0	6.0	42.2	10.43	39.9	9.70	37.5	9.00	36.3	8.66	35.1	8.32	32.7	7.66
	9.0	7.9	42.2	9.80	39.9	9.13	37.5	8.48	36.3	8.16	35.1	7.84	32.7	7.22
11.0	9.8	42.2	9.22	39.9	8.60	37.5	8.00	36.3	7.69	35.1	7.40	32.7	6.83	
13.0	11.8	42.2	8.66	39.9	8.09	37.5	7.53	36.3	7.25	35.1	6.98	32.7	6.44	
15.0	13.7	42.2	8.17	39.9	7.63	37.5	7.11	36.3	6.85	35.1	6.59	32.7	6.10	

Combination	Outdoor air temp.		Indoor air temperature. °CDB											
			16		18		20		21		22		24	
	°CDB	°CWB	TC	PI	TC	PI	TC	PI	TC	PI	TC	PI	TC	PI
			kW	kW	kW	kW	kW	kW	kW	kW	kW	kW	kW	kW
90	-19.8	-20.0	23.8	8.79	23.7	9.09	23.7	9.41	23.6	9.56	23.6	9.73	23.6	10.03
	-18.8	-19.0	24.2	8.88	24.2	9.20	24.0	9.50	24.0	9.66	24.0	9.81	23.9	10.11
	-16.7	-17.0	25.1	9.11	25.0	9.40	25.0	9.69	25.0	9.84	24.9	9.98	24.9	10.28
	-13.7	-15.0	26.2	9.33	26.1	9.61	26.1	9.89	25.9	9.94	25.9	10.17	25.9	10.45
	-11.8	-13.0	27.3	9.55	27.3	9.82	27.1	10.09	27.1	10.23	27.1	10.36	27.0	10.63
	-9.8	-11.0	28.6	9.77	28.6	10.03	28.4	10.29	28.4	10.43	28.4	10.56	28.3	10.81
	-9.5	-10.0	29.3	9.89	29.2	10.15	29.2	10.39	29.0	10.52	29.0	10.65	29.0	10.90
	-8.5	-9.1	29.9	9.99	29.9	10.24	29.8	10.49	29.8	10.60	29.8	10.73	29.4	10.84
	-7.0	-7.6	30.9	10.16	30.9	10.39	30.8	10.64	30.8	10.75	30.8	10.87	29.4	10.35
	-5.0	-5.6	32.6	10.38	32.5	10.60	32.5	10.82	32.5	10.94	31.5	10.60	29.4	9.73
	-3.0	-3.7	34.2	10.58	34.2	9.62	33.8	10.84	32.6	10.40	31.5	9.98	29.4	9.16
	0.0	-0.7	37.0	10.88	35.9	9.45	33.8	9.83	32.6	9.45	31.5	9.07	29.4	8.33
	3.0	2.2	38.1	10.37	35.9	9.66	33.8	8.95	32.6	8.62	31.5	8.28	29.4	7.62
	5.0	4.1	38.1	9.75	35.9	9.08	33.8	8.44	32.6	8.11	31.5	7.81	29.4	7.19
	7.0	6.0	38.1	9.16	35.9	8.56	33.8	7.95	32.6	7.66	31.5	7.36	29.4	6.79
	9.0	7.9	38.1	8.64	35.9	8.05	33.8	7.49	32.6	7.22	31.5	6.96	29.4	6.42
11.0	9.8	38.1	8.14	35.9	7.60	33.8	7.08	32.6	6.83	31.5	6.57	29.4	6.08	
13.0	11.8	38.1	7.66	35.9	7.17	33.8	6.67	32.6	6.44	31.5	6.21	29.4	5.74	
15.0	13.7	38.1	7.24	35.9	6.77	33.8	6.32	32.6	6.08	31.5	5.88	29.4	5.45	

Combination	Outdoor air temp.		Indoor air temperature. °CDB											
			16		18		20		21		22		24	
	°CDB	°CWB	TC	PI	TC	PI	TC	PI	TC	PI	TC	PI	TC	PI
80	-19.8	-20.0	23.7	9.40	23.6	9.67	23.6	9.95	23.6	10.09	23.4	10.23	23.4	10.50
	-18.8	-19.0	24.0	9.48	24.0	9.76	23.9	10.03	23.9	10.17	23.9	10.30	23.8	10.58
	-16.7	-17.0	25.0	9.68	24.9	9.94	24.9	10.21	24.9	10.33	24.9	10.46	24.8	10.72
	-13.7	-15.0	26.1	9.88	25.9	10.12	25.9	10.38	25.9	10.50	25.8	10.63	25.8	10.88
	-11.8	-13.0	27.1	10.08	27.1	10.32	27.0	10.56	27.0	10.67	27.0	10.80	26.2	10.51
	-9.8	-11.0	28.4	10.28	28.4	10.51	28.3	10.74	28.3	10.85	28.1	10.82	26.2	9.92
	-9.5	-10.0	29.2	10.38	29.0	10.60	29.0	10.82	29.0	10.94	28.1	10.51	26.2	9.63
	-8.5	-9.1	29.8	10.47	29.8	10.70	29.6	10.91	29.0	10.67	28.1	10.23	26.2	9.38
	-7.0	-7.6	30.8	10.63	30.8	10.84	30.0	10.60	29.0	10.18	28.1	9.77	26.2	9.00
	-5.0	-5.6	32.5	9.64	31.9	10.75	30.0	9.96	29.0	9.57	28.1	9.19	26.2	8.44
	-3.0	-3.7	33.8	9.70	31.9	10.12	30.0	9.38	29.0	9.06	28.1	8.66	26.2	7.97
	0.0	-0.7	33.8	9.87	31.9	9.19	30.0	8.53	29.0	8.22	28.1	7.89	26.2	7.27
	3.0	2.2	33.8	8.99	31.9	8.38	30.0	7.80	29.0	7.50	28.1	7.22	26.2	6.66
	5.0	4.1	33.8	8.46	31.9	7.90	30.0	7.35	29.0	7.08	28.1	6.83	26.2	6.30
	7.0	6.0	33.8	7.97	31.9	7.47	30.0	6.94	29.0	6.70	28.1	6.45	26.2	5.96
	9.0	7.9	33.8	7.53	31.9	7.04	30.0	6.59	29.0	6.32	28.1	6.10	26.2	5.65
11.0	9.8	33.8	7.11	31.9	6.65	30.0	6.21	29.0	5.99	28.1	5.77	26.2	5.35	
13.0	11.8	33.8	6.70	31.9	6.28	30.0	5.87	29.0	5.66	28.1	5.46	26.2	5.06	
15.0	13.7	33.8	6.34	31.9	5.95	30.0	5.56	29.0	5.37	28.1	5.18	26.2	4.82	

Combination	Outdoor air temp.		Indoor air temperature. °CDB											
			16		18		20		21		22		24	
	°CDB	°CWB	TC	PI	TC	PI	TC	PI	TC	PI	TC	PI	TC	PI
70	-19.8	-20.0	23.6	10.01	23.4	10.24	23.4	10.49	23.4	10.60	23.4	10.73	22.8	10.61
	-18.8	-19.0	23.9	10.09	23.9	10.32	23.8	10.56	23.8	10.67	23.8	10.80	22.8	10.39
	-16.7	-17.0	24.9	10.25	24.9	10.49	24.8	10.71	24.8	10.82	24.5	10.81	22.8	9.91
	-13.7	-15.0	25.9	10.43	25.8	10.65	25.8	10.87	25.3	10.4.23	24.5	10.28	22.8	9.42
	-11.8	-13.0	27.0	10.60	27.0	10.81	26.3	10.56	25.3	10.15	24.5	9.74	22.8	8.93
	-9.8	-11.0	28.3	10.78	28.0	10.77	26.3	9.97	25.3	9.59	24.5	9.20	22.8	8.45
	-9.5	-10.0	29.0	10.87	28.0	10.45	26.3	9.68	25.3	9.31	24.5	8.94	22.8	8.22
	-8.5	-9.1	29.6	10.93	28.0	10.17	26.3	9.42	25.3	9.06	24.5	8.71	22.8	8.01
	-7.0	-7.6	29.6	10.44	28.0	9.71	26.3	9.01	25.3	8.67	24.5	8.33	22.8	7.67
	-5.0	-5.6	29.6	9.81	28.0	9.14	26.3	8.49	25.3	8.16	24.5	7.84	22.8	7.24
	-3.0	-3.7	29.6	9.24	28.0	8.62	26.3	8.01	25.3	7.70	24.5	7.41	22.8	6.84
	0.0	-0.7	29.6	8.41	28.0	7.89	26.3	7.31	25.3	7.04	24.5	6.78	22.8	6.27
	3.0	2.2	29.6	7.68	28.0	0.18	26.3	6.70	25.3	6.45	24.5	6.22	22.8	5.75
	5.0	4.1	29.6	7.25	28.0	6.78	26.3	6.34	25.3	6.10	24.5	5.89	22.8	5.45
	7.0	6.0	29.6	6.85	28.0	6.42	26.3	5.99	25.3	5.77	24.5	5.58	22.8	5.17
	9.0	7.9	29.6	6.48	28.0	6.07	26.3	5.67	25.3	5.47	24.5	5.28	22.8	4.90
11.0	9.8	29.6	6.13	28.0	5.74	26.3	5.38	25.3	5.19	24.5	5.02	22.8	4.65	
13.0	11.8	29.6	5.79	28.0	5.44	26.3	5.09	25.3	4.92	24.5	4.75	22.8	4.42	
15.0	13.7	29.6	5.48	28.0	5.16	26.3	4.83	25.3	4.68	24.5	4.51	22.8	4.21	

GMV5 DC Inverter VRF Units Technical Sales Guide

Combination	Outdoor air temp.		Indoor air temperature. °CDB											
			16		18		20		21		22		24	
	°CDB	°CWB	TC	PI	TC	PI	TC	PI	TC	PI	TC	PI	TC	PI
60	-19.8	-20.0	23.4	10.61	23.3	10.81	22.5	10.40	21.8	9.99	21.1	9.60	19.6	8.80
	-18.8	-19.0	23.8	10.68	23.8	10.88	22.5	10.18	21.8	9.78	21.1	9.39	19.6	8.62
	-16.7	-17.0	24.8	10.82	23.9	10.49	22.5	9.71	21.8	9.34	21.1	8.97	19.6	8.24
	-13.7	-15.0	25.3	10.71	23.9	9.96	22.5	9.24	21.8	8.88	21.1	8.53	19.6	7.84
	-11.8	-13.0	25.3	10.14	23.9	9.43	22.5	8.76	21.8	8.43	21.1	8.10	19.6	7.46
	-9.8	-11.0	25.3	9.57	23.9	8.92	22.5	8.29	21.8	7.97	21.1	7.67	19.6	7.07
	-9.5	-10.0	25.3	9.31	23.9	8.67	22.5	8.05	21.8	7.76	21.1	7.46	19.6	6.87
	-8.5	-9.1	25.3	9.06	23.9	8.45	22.5	7.86	21.8	7.56	21.1	7.27	19.6	6.71
	-7.0	-7.6	25.3	8.66	23.9	8.09	22.5	7.52	21.8	7.25	21.1	6.97	19.6	6.44
	-5.0	-5.6	25.3	8.16	23.9	7.62	22.5	7.10	21.8	6.84	21.1	6.58	19.6	6.09
	-3.0	-3.7	25.3	7.70	23.9	7.20	22.5	6.73	21.8	6.48	21.1	6.23	19.6	5.76
	0.0	-0.7	25.3	7.04	23.9	6.59	22.5	6.15	21.8	5.94	21.1	5.72	19.6	5.30
	3.0	2.2	25.3	6.45	23.9	6.06	22.5	5.66	21.8	5.46	21.1	5.27	19.6	0.21
	5.0	4.1	25.3	6.10	23.9	5.73	22.5	5.35	21.8	5.18	21.1	4.99	19.6	4.64
	7.0	6.0	25.3	5.77	23.9	5.42	22.5	5.07	21.8	4.91	21.1	4.75	19.6	4.41
	9.0	7.9	25.3	5.47	23.9	5.14	22.5	4.82	21.8	4.66	21.1	4.50	19.6	4.20
11.0	9.8	25.3	5.19	23.9	4.89	22.5	4.58	21.8	4.43	21.1	4.28	19.6	4.00	
13.0	11.8	25.3	4.91	23.9	4.63	22.5	4.35	21.8	4.21	21.1	4.07	19.6	3.80	
15.0	13.7	25.3	4.68	23.9	4.40	22.5	4.14	21.8	4.01	21.1	3.88	19.6	3.62	

Combination	Outdoor air temp.		Indoor air temperature. °CDB											
			16		18		20		21		22		24	
	°CDB	°CWB	TC	PI	TC	PI	TC	PI	TC	PI	TC	PI	TC	PI
50	-19.8	-20.0	21.2	9.66	20.0	8.99	18.8	8.35	18.1	8.04	17.5	7.73	16.3	7.12
	-18.8	-19.0	21.2	9.45	20.0	8.80	18.8	8.18	18.1	7.87	17.5	7.56	16.3	6.98
	-16.7	-17.0	21.2	9.01	20.0	8.41	18.8	7.82	18.1	7.53	17.5	7.25	16.3	6.69
	-13.7	-15.0	21.2	8.58	20.0	8.01	18.8	7.45	18.1	7.18	17.5	6.91	16.3	6.38
	-11.8	-13.0	21.2	8.15	20.0	7.62	18.8	7.08	18.1	6.83	17.5	6.57	16.3	6.08
	-9.8	-11.0	21.2	7.72	20.0	7.21	18.8	6.72	18.1	6.48	17.5	6.24	16.3	5.77
	-9.5	-10.0	21.2	7.50	20.0	7.01	18.8	6.55	18.1	6.31	17.5	6.08	16.3	5.62
	-8.5	-9.1	21.2	7.32	20.0	6.85	18.8	6.38	18.1	6.16	17.5	5.94	16.3	5.49
	-7.0	-7.6	21.2	7.01	20.0	6.59	18.8	6.13	18.1	5.92	17.5	5.70	16.3	5.28
	-5.0	-5.6	21.2	6.62	20.0	6.21	18.8	5.80	18.1	5.60	17.5	5.40	16.3	5.00
	-3.0	-3.7	21.2	6.27	20.0	5.88	18.8	5.49	18.1	5.31	17.5	5.12	16.3	4.76
	0.0	-0.7	21.2	5.75	20.0	5.40	18.8	5.06	18.1	4.89	17.5	4.72	16.3	4.40
	3.0	2.2	21.2	5.30	20.0	4.98	18.8	4.66	18.1	4.51	17.5	4.37	16.3	4.07
	5.0	4.1	21.2	5.03	20.0	4.72	18.8	4.43	18.1	4.29	17.5	4.15	16.3	3.87
	7.0	6.0	21.2	4.77	20.0	4.49	18.8	4.22	18.1	4.08	17.5	3.95	16.3	3.69
	9.0	7.9	21.2	4.52	20.0	4.27	18.8	4.01	18.1	3.89	17.5	3.76	16.3	3.52
11.0	9.8	21.2	4.30	20.0	4.06	18.8	3.82	18.1	3.71	17.5	3.59	16.3	3.36	
13.0	11.8	21.2	4.09	20.0	3.86	18.8	3.64	18.1	3.53	17.5	3.41	16.3	3.20	
15.0	13.7	21.2	3.89	20.0	3.68	18.8	3.47	18.1	3.37	17.5	3.26	16.3	3.05	

GMV-400WM/B-X

TC—Total capacity of outdoor unit; PI—Power input of outdoor unit

Combination	Outdoor air temp.		Indoor air temperature. °CDB											
			16		18		20		21		22		24	
	°CDB	°CWB	TC	PI	TC	PI	TC	PI	TC	PI	TC	PI	TC	PI
130	-19.8	-20.0	29.1	7.84	29.0	8.39	28.9	8.95	28.9	9.23	28.7	9.50	28.7	10.07
	-18.8	-19.0	29.6	8.02	29.4	8.57	29.4	9.11	29.3	9.39	29.3	9.65	29.1	10.19
	-16.7	-17.0	30.7	8.39	30.6	8.91	30.4	9.45	30.4	9.66	30.4	9.96	30.3	10.50
	-13.7	-15.0	32.0	8.78	31.9	9.29	31.7	9.79	31.7	10.04	31.6	10.30	31.6	10.80
	-11.8	-13.0	33.3	9.17	33.3	9.66	33.1	10.14	33.0	10.38	33.0	10.63	32.9	11.10
	-9.8	-11.0	34.9	9.57	34.7	10.04	34.6	10.50	34.6	10.73	34.6	10.96	34.4	11.42
	-9.5	-10.0	35.7	9.78	35.6	10.22	35.4	10.67	35.4	10.90	35.3	11.12	35.3	11.56
	-8.5	-9.1	36.4	9.95	36.3	10.38	36.3	10.83	36.1	11.05	36.1	11.26	36.0	11.71
	-7.0	-7.6	37.7	10.24	37.7	10.67	37.6	11.09	37.6	11.31	37.4	11.51	37.3	11.94
	-5.0	-5.6	39.7	10.63	39.6	10.82	39.4	11.44	39.4	11.64	39.3	11.82	39.3	12.23
	-3.0	-3.7	41.6	10.97	41.4	11.36	41.4	11.74	41.3	11.94	41.3	12.13	41.1	12.50
	0.0	-0.7	44.9	11.51	44.9	11.87	44.7	12.21	44.7	12.39	44.6	12.57	44.6	12.92
	3.0	2.2	48.4	11.98	48.3	12.31	48.1	12.65	48.1	12.80	48.1	12.98	48.0	13.30
	5.0	4.1	50.9	12.29	50.7	12.60	50.7	12.91	50.6	13.06	50.6	13.22	50.4	13.53
	7.0	6.0	53.4	12.57	53.3	12.86	53.3	13.17	53.1	11.87	53.1	13.45	51.0	12.92
	9.0	7.9	56.1	12.83	56.0	13.12	56.0	13.40	55.9	13.54	54.7	13.26	51.0	12.14
11.0	9.8	59.0	13.09	58.9	13.35	58.6	13.53	56.6	12.99	54.7	12.46	51.0	11.44	
13.0	11.8	62.1	13.34	62.0	13.60	58.6	12.68	56.6	12.17	54.7	11.69	51.0	10.73	
15.0	13.7	65.1	13.57	62.3	12.88	58.6	11.94	56.6	11.48	54.7	11.02	51.0	10.12	
120	-19.8	-20.0	29.0	8.59	28.9	9.10	28.7	9.62	28.7	9.86	28.7	10.12	28.6	10.64
	-18.8	-19.0	29.4	8.75	29.3	9.26	29.3	9.66	29.1	10.01	29.1	10.27	29.0	10.77
	-16.7	-17.0	30.6	9.10	30.4	9.59	30.4	10.07	30.3	10.31	30.3	10.56	30.1	11.03
	-13.7	-15.0	31.9	9.46	31.7	9.92	31.6	10.38	31.6	10.63	31.6	10.86	31.4	11.32
	-11.8	-13.0	33.1	9.82	33.1	10.27	33.0	10.71	33.0	10.94	32.9	11.16	32.9	11.61
	-9.8	-11.0	34.7	10.19	34.6	10.61	34.6	11.05	34.4	11.26	34.4	11.46	34.3	11.91
	-9.5	-10.0	35.6	10.38	35.4	10.80	35.3	11.20	35.3	11.42	35.3	11.54	35.1	12.04
	-8.5	-9.1	36.3	10.54	36.1	10.94	36.1	11.35	36.0	11.55	36.0	11.77	35.9	12.17
	-7.0	-7.6	37.6	10.82	37.6	11.20	37.4	11.59	37.4	11.80	37.3	11.98	37.3	12.37
	-5.0	-5.6	39.6	11.16	39.4	11.54	39.3	11.91	39.3	12.10	39.3	12.29	39.1	12.65
	-3.0	-3.7	41.4	11.49	41.4	11.85	41.3	12.20	41.3	12.37	41.1	12.56	41.1	12.91
	0.0	-0.7	44.7	11.98	44.7	12.31	44.6	12.79	44.6	12.80	44.4	12.96	44.4	13.30
	3.0	2.2	48.3	12.43	48.1	12.73	48.1	13.04	48.0	13.19	48.0	13.34	47.0	13.27
	5.0	4.1	50.7	12.70	50.6	12.99	50.6	13.28	50.4	13.43	50.4	13.57	47.0	12.46
	7.0	6.0	53.3	12.96	53.3	13.24	53.1	13.51	52.3	13.32	50.6	12.78	47.0	11.72
	9.0	7.9	56.0	13.22	55.9	13.48	54.0	13.04	52.3	12.52	50.6	12.01	47.0	11.03
11.0	9.8	58.9	13.45	57.4	13.22	54.0	12.26	52.3	11.78	50.6	11.31	47.0	10.40	
13.0	11.8	61.0	13.32	57.4	12.40	54.0	11.49	52.3	11.06	50.6	10.63	47.0	9.78	
15.0	13.7	61.0	12.55	57.4	11.68	54.0	10.84	52.3	10.43	50.6	10.02	47.0	9.23	

GMV5 DC Inverter VRF Units Technical Sales Guide

Combination	Outdoor air temp.		Indoor air temperature. °CDB											
			16		18		20		21		22		24	
	°CDB	°CWB	TC	PI	TC	PI	TC	PI	TC	PI	TC	PI	TC	PI
110	-19.8	-20.0	28.9	9.34	28.7	9.81	28.6	10.28	28.6	10.51	28.6	10.74	28.4	11.22
	-18.8	-19.0	29.3	9.49	29.3	9.95	314.9	10.41	29.1	10.64	29.0	10.87	29.0	11.33
	-16.7	-17.0	30.4	9.81	30.3	10.25	30.3	10.70	30.1	10.92	30.1	11.15	30.0	11.58
	-13.7	-15.0	31.7	10.14	31.6	10.57	31.4	10.99	31.4	11.20	31.4	11.42	31.3	11.84
	-11.8	-13.0	33.0	10.48	33.0	10.89	32.9	11.29	32.9	11.49	32.7	11.69	32.7	12.11
	-9.8	-11.0	34.6	10.82	34.4	11.20	34.4	11.59	34.3	11.80	34.3	11.98	34.3	12.37
	-9.5	-10.0	35.4	10.99	35.3	11.36	35.1	11.75	35.1	11.94	35.1	12.13	35.0	12.50
	-8.5	-9.1	36.1	11.13	36.0	11.51	36.0	11.88	36.0	12.07	35.9	12.26	35.9	12.62
	-7.0	-7.6	37.4	11.39	37.4	11.74	37.3	12.10	37.3	12.29	37.7	12.46	37.1	12.82
	-5.0	-5.6	39.4	11.71	39.3	12.06	39.1	12.39	39.1	12.56	41.0	12.73	39.0	13.08
	-3.0	-3.7	41.3	12.01	41.3	12.33	41.1	12.66	41.1	12.82	44.4	12.98	41.0	13.31
	0.0	-0.7	44.6	12.46	44.6	12.76	44.4	13.06	44.4	13.21	46.3	13.37	43.1	13.11
	3.0	2.2	48.1	12.88	48.0	13.15	48.0	13.43	47.9	13.55	46.3	13.01	43.1	11.93
	5.0	4.1	50.6	13.12	50.6	13.40	49.6	13.27	47.9	12.73	46.3	12.23	43.1	11.22
	7.0	6.0	53.1	13.37	52.7	13.45	49.6	12.46	47.9	11.97	46.3	11.49	43.1	10.56
	9.0	7.9	55.9	13.58	52.7	12.65	49.6	11.72	47.9	11.26	46.3	10.82	43.1	9.95
11.0	9.8	55.9	12.78	52.7	11.90	49.6	11.03	47.9	10.61	46.3	10.19	43.1	9.39	
13.0	11.8	55.9	11.98	52.7	11.16	49.6	10.37	47.9	9.98	46.3	9.59	43.1	8.84	
15.0	13.7	55.9	11.29	52.7	10.53	49.6	9.79	47.9	9.42	46.3	9.07	43.1	8.36	

Combination	Outdoor air temp.		Indoor air temperature. °CDB											
			16		18		20		21		22		24	
	°CDB	°CWB	TC	PI	TC	PI	TC	PI	TC	PI	TC	PI	TC	PI
100	-19.8	-20.0	28.7	10.09	28.6	10.51	28.6	10.94	28.4	11.16	28.4	11.36	28.3	11.80
	-18.8	-19.0	29.1	10.22	29.1	10.64	29.0	11.06	29.0	11.28	28.9	11.49	28.9	11.91
	-16.7	-17.0	30.3	10.51	30.1	10.92	30.1	11.32	30.1	11.52	30.0	11.72	30.0	12.13
	-13.7	-15.0	31.6	10.82	31.4	11.20	31.4	11.59	31.3	11.80	31.3	11.98	31.1	12.37
	-11.8	-13.0	32.9	11.13	32.9	11.49	32.7	11.87	32.7	12.06	32.7	11.81	32.6	12.62
	-9.8	-11.0	34.4	11.44	34.3	11.80	34.3	12.14	34.3	12.33	34.1	12.50	34.1	12.85
	-9.5	-10.0	35.3	11.59	35.1	11.94	35.1	12.29	35.0	12.46	35.0	12.63	34.9	12.98
	-8.5	-9.1	36.0	11.72	36.0	12.07	35.9	12.40	35.9	12.57	35.7	12.75	35.7	13.08
	-7.0	-7.6	37.3	11.95	37.3	12.29	37.1	12.60	37.1	12.78	37.1	12.93	37.0	13.27
	-5.0	-5.6	39.3	12.26	39.1	12.56	39.1	12.88	39.0	13.04	39.0	13.18	39.0	13.50
	-3.0	-3.7	41.1	12.53	41.1	12.82	41.0	13.12	41.0	13.27	41.0	13.41	39.3	12.85
	0.0	-0.7	44.4	12.95	44.4	13.21	44.3	13.48	43.6	13.27	42.1	12.72	39.3	11.68
	3.0	2.2	48.0	13.31	47.9	13.55	45.0	12.55	43.6	12.06	42.1	11.58	39.3	10.63
	5.0	4.1	50.4	13.55	47.9	12.73	45.0	11.80	43.6	11.35	42.1	10.90	39.3	10.02
	7.0	6.0	50.7	12.86	47.9	11.97	45.0	11.10	43.6	10.69	42.1	10.27	39.3	9.45
	9.0	7.9	50.7	12.08	47.9	11.26	45.0	10.45	43.6	10.07	42.1	9.68	39.3	8.91
11.0	9.8	50.7	11.38	47.9	10.61	45.0	9.86	43.6	9.49	42.1	9.13	39.3	8.42	
13.0	11.8	50.7	10.69	47.9	9.98	45.0	9.29	43.6	8.94	42.1	8.61	39.3	7.95	
15.0	13.7	50.7	10.08	47.9	9.42	45.0	8.77	43.6	8.45	42.1	8.13	39.3	7.53	

Combination	Outdoor air temp.		Indoor air temperature. °CDB											
			16		18		20		21		22		24	
	°CDB	°CWB	TC	PI	TC	PI	TC	PI	TC	PI	TC	PI	TC	PI
90	-19.8	-20.0	28.6	10.84	28.4	11.22	28.4	11.61	28.3	11.80	28.3	12.00	28.3	12.37
	-18.8	-19.0	29.0	10.96	29.0	11.35	28.9	11.72	28.9	11.91	28.9	12.10	28.7	12.47
	-16.7	-17.0	30.1	11.23	30.0	11.59	30.0	11.95	30.0	12.14	29.9	12.31	29.9	12.68
	-13.7	-15.0	31.4	11.51	31.3	11.85	31.3	12.20	31.1	12.26	31.1	12.55	31.1	12.89
	-11.8	-13.0	32.7	11.78	32.7	12.11	32.6	12.44	32.6	12.62	32.6	12.78	32.4	13.11
	-9.8	-11.0	34.3	12.06	34.3	12.37	34.1	12.69	34.1	12.86	34.1	13.02	34.0	13.34
	-9.5	-10.0	35.1	12.20	35.0	12.52	35.0	12.82	34.9	12.98	34.9	13.14	34.9	13.44
	-8.5	-9.1	35.9	12.33	35.9	12.63	35.7	12.93	35.7	13.08	35.7	13.24	35.3	13.37
	-7.0	-7.6	37.1	12.53	37.1	12.82	37.0	13.12	37.0	13.27	37.0	13.41	35.3	12.76
	-5.0	-5.6	39.1	12.80	39.0	13.08	39.0	13.35	39.0	13.50	37.9	13.08	35.3	12.00
	-3.0	-3.7	41.0	13.05	41.0	11.87	40.6	13.37	39.1	12.83	37.9	12.31	35.3	11.31
	0.0	-0.7	44.4	13.43	43.1	11.65	40.6	12.13	39.1	11.65	37.9	11.19	35.3	10.28
	3.0	2.2	45.7	12.79	43.1	11.91	40.6	11.05	39.1	10.63	37.9	10.21	35.3	9.40
	5.0	4.1	45.7	12.03	43.1	11.20	40.6	10.41	39.1	10.01	37.9	9.63	35.3	8.87
	7.0	6.0	45.7	11.31	43.1	10.56	40.6	9.81	39.1	9.45	37.9	9.08	35.3	8.38
	9.0	7.9	45.7	10.66	43.1	9.94	40.6	9.24	39.1	8.91	37.9	8.58	35.3	7.92
11.0	9.8	45.7	10.04	43.1	9.37	40.6	8.74	39.1	8.42	37.9	8.10	35.3	7.50	
13.0	11.8	45.7	9.45	43.1	8.84	40.6	8.23	39.1	7.95	37.9	7.66	35.3	7.08	
15.0	13.7	45.7	8.93	43.1	8.35	40.6	7.80	39.1	7.50	37.9	7.25	35.3	6.72	

Combination	Outdoor air temp.		Indoor air temperature. °CDB											
			16		18		20		21		22		24	
	°CDB	°CWB	TC	PI	TC	PI	TC	PI	TC	PI	TC	PI	TC	PI
80	-19.8	-20.0	28.4	11.59	28.3	11.93	28.3	12.27	28.3	12.44	28.1	12.62	28.1	12.95
	-18.8	-19.0	28.9	11.69	28.9	12.04	28.7	12.37	28.7	12.55	28.7	12.70	28.6	13.05
	-16.7	-17.0	30.0	11.94	29.9	12.26	29.9	12.59	29.9	12.75	29.9	12.91	29.7	13.22
	-13.7	-15.0	31.3	12.18	31.1	12.49	31.1	12.80	31.1	12.95	31.0	13.11	31.0	13.43
	-11.8	-13.0	32.6	12.43	32.6	12.73	32.4	13.02	32.4	13.17	32.4	13.32	31.4	12.96
	-9.8	-11.0	34.1	12.68	34.1	12.96	34.0	13.25	34.0	13.38	33.7	13.35	31.4	12.24
	-9.5	-10.0	35.0	12.80	34.9	13.08	34.9	13.35	34.9	13.50	33.7	12.96	31.4	11.88
	-8.5	-9.1	35.7	12.92	35.7	13.19	35.6	13.45	34.9	13.17	33.7	12.62	31.4	11.56
	-7.0	-7.6	37.0	13.11	37.0	13.37	36.0	13.08	34.9	12.56	33.7	12.06	31.4	11.10
	-5.0	-5.6	39.0	11.90	38.3	13.27	36.0	12.29	34.9	11.81	33.7	11.33	31.4	10.41
	-3.0	-3.7	40.6	11.97	38.3	12.49	36.0	11.56	34.9	11.18	33.7	10.69	31.4	9.83
	0.0	-0.7	40.6	12.17	38.3	11.33	36.0	10.53	34.9	10.14	33.7	9.73	31.4	8.97
	3.0	2.2	40.6	11.09	38.3	10.34	36.0	9.62	34.9	9.26	33.7	8.91	31.4	8.22
	5.0	4.1	40.6	10.44	38.3	9.75	36.0	9.07	34.9	8.74	33.7	8.42	31.4	7.77
	7.0	6.0	40.6	9.83	38.3	9.21	36.0	8.57	34.9	8.26	33.7	7.96	31.4	7.35
	9.0	7.9	40.6	9.29	38.3	8.68	36.0	8.13	34.9	7.80	33.7	7.53	31.4	6.96
11.0	9.8	40.6	8.77	38.3	8.20	36.0	7.66	34.9	7.38	33.7	7.12	31.4	6.60	
13.0	11.8	40.6	8.26	38.3	7.74	36.0	7.24	34.9	6.98	33.7	6.73	31.4	6.24	
15.0	13.7	40.6	7.82	38.3	7.34	36.0	6.86	34.9	6.62	33.7	6.39	31.4	5.94	

GMV5 DC Inverter VRF Units Technical Sales Guide

Combination	Outdoor air temp.		Indoor air temperature. °CDB											
			16		18		20		21		22		24	
	°CDB	°CWB	TC	PI	TC	PI	TC	PI	TC	PI	TC	PI	TC	PI
70	-19.8	-20.0	28.3	12.34	28.1	12.63	28.1	12.93	28.1	13.08	28.1	13.24	27.4	13.09
	-18.8	-19.0	28.7	12.44	28.7	12.73	28.6	13.02	28.6	13.17	28.6	13.32	27.4	12.82
	-16.7	-17.0	29.9	12.65	29.9	12.93	29.7	13.21	29.7	13.35	29.4	13.34	27.4	12.23
	-13.7	-15.0	31.1	12.86	31.0	13.14	31.0	13.41	30.4	128.57	29.4	12.68	27.4	11.62
	-11.8	-13.0	32.4	13.08	32.4	13.34	31.6	13.02	30.4	12.52	29.4	12.01	27.4	11.02
	-9.8	-11.0	34.0	13.30	33.6	13.28	31.6	12.30	30.4	11.82	29.4	11.35	27.4	10.43
	-9.5	-10.0	34.9	13.41	33.6	12.89	31.6	11.94	30.4	11.48	29.4	11.03	27.4	10.14
	-8.5	-9.1	35.6	13.48	33.6	12.55	31.6	11.62	30.4	11.18	29.4	10.74	27.4	9.88
	-7.0	-7.6	35.6	12.88	33.6	11.98	31.6	11.12	30.4	10.70	29.4	10.28	27.4	9.46
	-5.0	-5.6	35.6	12.10	33.6	11.28	31.6	10.47	30.4	10.07	29.4	9.68	27.4	8.93
	-3.0	-3.7	35.6	11.39	33.6	10.63	31.6	9.88	30.4	9.50	29.4	9.14	27.4	8.44
	0.0	-0.7	35.6	10.37	33.6	9.73	31.6	9.01	30.4	8.68	29.4	8.36	27.4	7.73
	3.0	2.2	35.6	9.47	33.6	0.22	31.6	8.26	30.4	7.96	29.4	7.67	27.4	7.09
	5.0	4.1	35.6	8.94	33.6	8.36	31.6	7.82	30.4	7.53	29.4	7.27	27.4	6.72
	7.0	6.0	35.6	8.45	33.6	7.92	31.6	7.38	30.4	7.12	29.4	6.88	27.4	6.37
	9.0	7.9	35.6	7.99	33.6	7.48	31.6	6.99	30.4	6.75	29.4	6.52	27.4	6.04
	11.0	9.8	35.6	7.56	33.6	7.08	31.6	6.63	30.4	6.40	29.4	6.19	27.4	5.74
13.0	11.8	35.6	7.14	33.6	6.71	31.6	6.27	30.4	6.07	29.4	5.85	27.4	5.45	
15.0	13.7	35.6	6.76	33.6	6.36	31.6	5.96	30.4	5.77	29.4	5.57	27.4	5.19	

Combination	Outdoor air temp.		Indoor air temperature. °CDB											
			16		18		20		21		22		24	
	°CDB	°CWB	TC	PI	TC	PI	TC	PI	TC	PI	TC	PI	TC	PI
60	-19.8	-20.0	28.1	13.09	28.0	13.34	27.0	12.83	26.1	12.33	25.3	11.84	23.6	10.86
	-18.8	-19.0	28.6	13.18	28.6	13.43	27.0	12.56	26.1	12.07	25.3	11.58	23.6	10.63
	-16.7	-17.0	29.7	13.35	28.7	12.93	27.0	11.98	26.1	11.52	25.3	11.06	23.6	10.17
	-13.7	-15.0	30.4	13.21	28.7	12.29	27.0	11.39	26.1	10.96	25.3	10.53	23.6	9.68
	-11.8	-13.0	30.4	12.50	28.7	11.64	27.0	10.80	26.1	10.40	25.3	9.99	23.6	9.20
	-9.8	-11.0	30.4	11.81	28.7	11.00	27.0	10.22	26.1	9.83	25.3	9.46	23.6	8.72
	-9.5	-10.0	30.4	11.48	28.7	10.70	27.0	9.94	26.1	9.57	25.3	9.20	23.6	8.48
	-8.5	-9.1	30.4	11.18	28.7	10.43	27.0	9.69	26.1	9.33	25.3	8.97	23.6	8.28
	-7.0	-7.6	30.4	10.69	28.7	9.98	27.0	9.27	26.1	8.94	25.3	8.59	23.6	7.95
	-5.0	-5.6	30.4	10.07	28.7	9.40	27.0	8.75	26.1	8.44	25.3	8.12	23.6	7.51
	-3.0	-3.7	30.4	9.50	28.7	8.88	27.0	8.31	26.1	7.99	25.3	7.69	23.6	7.11
	0.0	-0.7	30.4	8.68	28.7	8.13	27.0	7.58	26.1	7.33	25.3	7.05	23.6	6.53
	3.0	2.2	30.4	7.96	28.7	7.47	27.0	6.98	26.1	6.73	25.3	6.50	23.6	0.26
	5.0	4.1	30.4	7.53	28.7	7.07	27.0	6.60	26.1	6.39	25.3	6.16	23.6	5.72
	7.0	6.0	30.4	7.12	28.7	6.69	27.0	6.26	26.1	6.06	25.3	5.85	23.6	5.44
	9.0	7.9	30.4	6.75	28.7	6.34	27.0	5.94	26.1	5.75	25.3	5.55	23.6	5.18
	11.0	9.8	30.4	6.40	28.7	6.03	27.0	5.65	26.1	5.47	25.3	5.28	23.6	4.93
13.0	11.8	30.4	6.06	28.7	5.71	27.0	5.36	26.1	5.19	25.3	5.02	23.6	4.69	
15.0	13.7	30.4	5.77	28.7	5.42	27.0	5.10	26.1	4.95	25.3	4.79	23.6	4.47	

Combination	Outdoor air temp.		Indoor air temperature. °CDB											
			16		18		20		21		22		24	
	°CDB	°CWB	TC	PI	TC	PI	TC	PI	TC	PI	TC	PI	TC	PI
50	-19.8	-20.0	25.4	11.91	24.0	11.09	22.6	10.30	21.7	9.92	21.0	9.53	19.6	8.78
	-18.8	-19.0	25.4	11.65	24.0	10.86	22.6	10.09	21.7	9.70	21.0	9.33	19.6	8.61
	-16.7	-17.0	25.4	11.12	24.0	10.37	22.6	9.65	21.7	9.29	21.0	8.94	19.6	8.25
	-13.7	-15.0	25.4	10.58	24.0	9.88	22.6	9.19	21.7	8.85	21.0	8.52	19.6	7.87
	-11.8	-13.0	25.4	10.05	24.0	9.40	22.6	8.74	21.7	8.42	21.0	8.10	19.6	7.50
	-9.8	-11.0	25.4	9.52	24.0	8.90	22.6	8.29	21.7	7.99	21.0	7.70	19.6	7.12
	-9.5	-10.0	25.4	9.26	24.0	8.65	22.6	8.08	21.7	7.79	21.0	7.50	19.6	6.94
	-8.5	-9.1	25.4	9.03	24.0	8.45	22.6	7.87	21.7	7.60	21.0	7.33	19.6	6.78
	-7.0	-7.6	25.4	8.65	24.0	8.13	22.6	7.56	21.7	7.30	21.0	7.04	19.6	6.52
	-5.0	-5.6	25.4	8.16	24.0	7.66	22.6	7.15	21.7	6.91	21.0	6.66	19.6	6.17
	-3.0	-3.7	25.4	7.73	24.0	7.25	22.6	6.78	21.7	6.55	21.0	6.32	19.6	5.87
	0.0	-0.7	25.4	7.09	24.0	6.66	22.6	6.24	21.7	6.03	21.0	5.83	19.6	5.42
	3.0	2.2	25.4	6.53	24.0	6.14	22.6	5.75	21.7	5.57	21.0	5.39	19.6	5.02
	5.0	4.1	25.4	6.20	24.0	5.83	22.6	5.47	21.7	5.29	21.0	5.12	19.6	4.77
	7.0	6.0	25.4	5.88	24.0	5.54	22.6	5.21	21.7	5.03	21.0	4.87	19.6	4.56
	9.0	7.9	25.4	5.58	24.0	5.26	22.6	4.95	21.7	4.80	21.0	4.64	19.6	4.34
11.0	9.8	25.4	5.31	24.0	5.00	22.6	4.72	21.7	4.57	21.0	4.43	19.6	4.14	
13.0	11.8	25.4	5.05	24.0	4.76	22.6	4.48	21.7	4.35	21.0	4.21	19.6	3.95	
15.0	13.7	25.4	4.80	24.0	4.54	22.6	4.28	21.7	4.15	21.0	4.02	19.6	3.76	

GMV-450WM/B-X

TC—Total capacity of outdoor unit; PI—Power input of outdoor unit

Combination	Outdoor air temp.		Indoor air temperature. °CDB											
			16		18		20		21		22		24	
	°CDB	°CWB	TC	PI	TC	PI	TC	PI	TC	PI	TC	PI	TC	PI
130	-19.8	-20.0	32.4	9.18	32.2	9.82	32.1	10.48	32.1	10.80	31.9	11.12	31.9	11.78
	-18.8	-19.0	32.9	9.39	32.7	10.03	32.7	10.67	32.5	10.99	32.5	11.29	32.4	11.93
	-16.7	-17.0	34.1	9.82	34.0	10.43	33.8	11.06	33.8	11.31	33.8	11.66	33.7	12.29
	-13.7	-15.0	35.6	10.28	35.4	10.87	35.2	11.46	35.2	11.75	35.1	12.05	35.1	12.64
	-11.8	-13.0	37.0	10.74	37.0	11.31	36.8	11.87	36.7	12.15	36.7	12.44	36.5	13.00
	-9.8	-11.0	38.7	11.21	38.6	11.75	38.4	12.29	38.4	12.56	38.4	12.83	38.3	13.37
	-9.5	-10.0	39.7	11.44	39.5	11.97	39.4	12.49	39.4	12.76	39.2	13.01	39.2	13.54
	-8.5	-9.1	40.5	11.65	40.3	12.15	40.3	12.68	40.2	12.93	40.2	13.18	40.0	13.71
	-7.0	-7.6	41.9	11.98	41.9	12.49	41.7	12.98	41.7	13.23	41.6	13.47	41.4	13.98
	-5.0	-5.6	44.1	12.44	44.0	12.66	43.8	13.39	43.8	13.62	43.7	13.84	43.7	14.31
	-3.0	-3.7	46.2	12.85	46.0	13.30	46.0	13.74	45.9	13.98	45.9	14.20	45.7	14.63
	0.0	-0.7	49.8	13.47	49.8	13.89	49.7	14.30	49.7	14.50	49.5	14.72	49.5	15.12
	3.0	2.2	53.8	14.03	53.7	14.42	53.5	14.80	53.5	14.99	53.5	15.19	53.3	15.56
	5.0	4.1	56.5	14.38	56.3	14.75	56.3	15.11	56.2	15.29	56.2	15.48	56.0	15.83
	7.0	6.0	59.4	14.72	59.2	15.06	59.2	15.41	59.0	13.89	59.0	15.75	56.7	15.12
	9.0	7.9	62.4	15.02	62.2	15.36	62.2	15.68	62.1	15.85	60.8	15.53	56.7	14.21
11.0	9.8	65.6	15.33	65.4	15.63	65.1	15.83	62.9	15.21	60.8	14.58	56.7	13.39	
13.0	11.8	69.0	15.61	68.9	15.92	65.1	14.84	62.9	14.25	60.8	13.69	56.7	12.56	
15.0	13.7	72.4	15.88	69.2	15.07	65.1	13.98	62.9	13.44	60.8	12.90	56.7	11.85	

GMV5 DC Inverter VRF Units Technical Sales Guide

Combination	Outdoor air temp.		Indoor air temperature. °CDB											
			16		18		20		21		22		24	
	°CDB	°CWB	TC	PI	TC	PI	TC	PI	TC	PI	TC	PI	TC	PI
			kW	kW	kW	kW	kW	kW	kW	kW	kW	kW	kW	kW
120	-19.8	-20.0	32.2	10.06	32.1	10.65	31.9	11.26	31.9	11.55	31.9	11.85	31.7	12.46
	-18.8	-19.0	32.7	10.25	32.5	10.84	32.5	11.31	32.4	11.71	32.4	12.02	32.2	12.61
	-16.7	-17.0	34.0	10.65	33.8	11.23	33.8	11.78	33.7	12.07	33.7	12.36	33.5	12.91
	-13.7	-15.0	35.4	11.07	35.2	11.61	35.1	12.15	35.1	12.44	35.1	12.71	34.9	13.25
	-11.8	-13.0	36.8	11.50	36.8	12.02	36.7	12.54	36.7	12.81	36.5	13.07	36.5	13.59
	-9.8	-11.0	38.6	11.93	38.4	12.42	38.4	12.93	38.3	13.18	38.3	13.42	38.1	13.94
	-9.5	-10.0	39.5	12.15	39.4	12.64	39.2	13.12	39.2	13.37	39.2	13.50	39.0	14.09
	-8.5	-9.1	40.3	12.34	40.2	12.81	40.2	13.28	40.0	13.52	40.0	13.77	39.8	14.25
	-7.0	-7.6	41.7	12.66	41.7	13.12	41.6	13.57	41.6	13.81	41.4	14.03	41.4	14.48
	-5.0	-5.6	44.0	13.07	43.8	13.50	43.7	13.94	43.7	14.16	43.7	14.38	43.5	14.80
	-3.0	-3.7	46.0	13.45	46.0	13.88	45.9	14.28	45.9	14.48	45.7	14.70	45.7	15.11
	0.0	-0.7	49.7	14.03	49.7	14.42	49.5	14.97	49.5	14.99	49.4	15.18	49.4	15.56
	3.0	2.2	53.7	14.55	53.5	14.91	53.5	15.26	53.3	15.45	53.3	15.61	52.2	15.53
	5.0	4.1	56.3	14.87	56.2	15.21	56.2	15.55	56.0	15.72	56.0	15.88	52.2	14.58
	7.0	6.0	59.2	15.18	59.2	15.50	59.0	15.82	58.1	15.60	56.2	14.96	52.2	13.72
	9.0	7.9	62.2	15.48	62.1	15.78	60.0	15.26	58.1	14.65	56.2	14.06	52.2	12.91
11.0	9.8	65.4	15.75	63.8	15.48	60.0	14.35	58.1	13.79	56.2	13.23	52.2	12.17	
13.0	11.8	67.8	15.60	63.8	14.52	60.0	13.45	58.1	12.95	56.2	12.44	52.2	11.44	
15.0	13.7	67.8	14.69	63.8	13.67	60.0	12.69	58.1	12.20	56.2	11.73	52.2	10.80	

Combination	Outdoor air temp.		Indoor air temperature. °CDB											
			16		18		20		21		22		24	
	°CDB	°CWB	TC	PI	TC	PI	TC	PI	TC	PI	TC	PI	TC	PI
			kW	kW	kW	kW	kW	kW	kW	kW	kW	kW	kW	kW
110	-19.8	-20.0	32.1	10.94	31.9	11.48	31.7	12.04	31.7	12.31	31.7	12.58	31.6	13.13
	-18.8	-19.0	32.5	11.11	32.5	11.65	349.8	12.19	32.4	12.46	32.2	12.73	32.2	13.27
	-16.7	-17.0	33.8	11.48	33.7	12.00	33.7	12.52	33.5	12.78	33.5	13.05	33.3	13.55
	-13.7	-15.0	35.2	11.87	35.1	12.37	34.9	12.86	34.9	13.12	34.9	13.37	34.8	13.86
	-11.8	-13.0	36.7	12.27	36.7	12.74	36.5	13.22	36.5	13.45	36.3	13.69	36.3	14.18
	-9.8	-11.0	38.4	12.66	38.3	13.12	38.3	13.57	38.1	13.81	38.1	14.03	38.1	14.48
	-9.5	-10.0	39.4	12.86	39.2	13.30	39.0	13.76	39.0	13.98	39.0	14.20	38.9	14.63
	-8.5	-9.1	40.2	13.03	40.0	13.47	40.0	13.91	40.0	14.13	39.8	14.35	39.8	14.77
	-7.0	-7.6	41.6	13.34	41.6	13.74	41.4	14.16	41.4	14.38	41.9	14.58	41.3	15.01
	-5.0	-5.6	43.8	13.71	43.7	14.11	43.5	14.50	43.5	14.70	45.6	14.91	43.3	15.31
	-3.0	-3.7	45.9	14.06	45.9	14.43	45.7	14.82	45.7	15.01	49.4	15.19	45.6	15.58
	0.0	-0.7	49.5	14.58	49.5	14.94	49.4	15.29	49.4	15.46	51.4	15.65	47.9	15.34
	3.0	2.2	53.5	15.07	53.3	15.39	53.3	15.72	53.2	15.87	51.4	15.23	47.9	13.96
	5.0	4.1	56.2	15.36	56.2	15.68	55.1	15.53	53.2	14.91	51.4	14.31	47.9	13.13
	7.0	6.0	59.0	15.65	58.6	15.75	55.1	14.58	53.2	14.01	51.4	13.45	47.9	12.36
	9.0	7.9	62.1	15.90	58.6	14.80	55.1	13.72	53.2	13.18	51.4	12.66	47.9	11.65
11.0	9.8	62.1	14.96	58.6	13.93	55.1	12.91	53.2	12.42	51.4	11.93	47.9	10.99	
13.0	11.8	62.1	14.03	58.6	13.07	55.1	12.14	53.2	11.68	51.4	11.23	47.9	10.35	
15.0	13.7	62.1	13.22	58.6	12.32	55.1	11.46	53.2	11.02	51.4	10.62	47.9	9.79	

Combination	Outdoor air temp.		Indoor air temperature. °CDB											
			16		18		20		21		22		24	
	°CDB	°CWB	TC	PI	TC	PI	TC	PI	TC	PI	TC	PI	TC	PI
100	-19.8	-20.0	31.9	11.82	31.7	12.31	31.7	12.81	31.6	13.07	31.6	13.30	31.4	13.81
	-18.8	-19.0	32.4	11.97	32.4	12.46	32.2	12.95	32.2	13.20	32.1	13.45	32.1	13.94
	-16.7	-17.0	33.7	12.31	33.5	12.78	33.5	13.25	33.5	13.49	33.3	13.72	33.3	14.20
	-13.7	-15.0	35.1	12.66	34.9	13.12	34.9	13.57	34.8	13.81	34.8	14.03	34.6	14.48
	-11.8	-13.0	36.5	13.03	36.5	13.45	36.3	13.89	36.3	14.11	36.3	13.82	36.2	14.77
	-9.8	-11.0	38.3	13.39	38.1	13.81	38.1	14.21	38.1	14.43	37.9	14.63	37.9	15.04
	-9.5	-10.0	39.2	13.57	39.0	13.98	39.0	14.38	38.9	14.58	38.9	14.79	38.7	15.19
	-8.5	-9.1	40.0	13.72	40.0	14.13	39.8	14.52	39.8	14.72	39.7	14.92	39.7	15.31
	-7.0	-7.6	41.4	13.99	41.4	14.38	41.3	14.75	41.3	14.96	41.3	15.14	41.1	15.53
	-5.0	-5.6	43.7	14.35	43.5	14.70	43.5	15.07	43.3	15.26	43.3	15.43	43.3	15.80
	-3.0	-3.7	45.7	14.67	45.7	15.01	45.6	15.36	45.6	15.53	45.6	15.70	43.7	15.04
	0.0	-0.7	49.4	15.16	49.4	15.46	49.2	15.78	48.4	15.53	46.8	14.89	43.7	13.67
	3.0	2.2	53.3	15.58	53.2	15.87	50.0	14.69	48.4	14.11	46.8	13.55	43.7	12.44
	5.0	4.1	56.0	15.87	53.2	14.91	50.0	13.81	48.4	13.28	46.8	12.76	43.7	11.73
	7.0	6.0	56.3	15.06	53.2	14.01	50.0	13.00	48.4	12.51	46.8	12.02	43.7	11.06
	9.0	7.9	56.3	14.15	53.2	13.18	50.0	12.24	48.4	11.78	46.8	11.33	43.7	10.43
11.0	9.8	56.3	13.32	53.2	12.42	50.0	11.55	48.4	11.11	46.8	10.69	43.7	9.86	
13.0	11.8	56.3	12.51	53.2	11.68	50.0	10.87	48.4	10.47	46.8	10.08	43.7	9.30	
15.0	13.7	56.3	11.80	53.2	11.02	50.0	10.26	48.4	9.89	46.8	9.52	43.7	8.81	

Combination	Outdoor air temp.		Indoor air temperature. °CDB											
			16		18		20		21		22		24	
	°CDB	°CWB	TC	PI	TC	PI	TC	PI	TC	PI	TC	PI	TC	PI
90	-19.8	-20.0	31.7	12.69	31.6	13.13	31.6	13.59	31.4	13.81	31.4	14.04	31.4	14.48
	-18.8	-19.0	32.2	12.83	32.2	13.28	32.1	13.72	32.1	13.94	32.1	14.16	31.9	14.60
	-16.7	-17.0	33.5	13.15	33.3	13.57	33.3	13.99	33.3	14.21	33.2	14.42	33.2	14.84
	-13.7	-15.0	34.9	13.47	34.8	13.88	34.8	14.28	34.6	14.35	34.6	14.69	34.6	15.09
	-11.8	-13.0	36.3	13.79	36.3	14.18	36.2	14.57	36.2	14.77	36.2	14.96	36.0	15.34
	-9.8	-11.0	38.1	14.11	38.1	14.48	37.9	14.85	37.9	15.06	37.9	15.24	37.8	15.61
	-9.5	-10.0	39.0	14.28	38.9	14.65	38.9	15.01	38.7	15.19	38.7	15.38	38.7	15.73
	-8.5	-9.1	39.8	14.43	39.8	14.79	39.7	15.14	39.7	15.31	39.7	15.50	39.2	15.65
	-7.0	-7.6	41.3	14.67	41.3	15.01	41.1	15.36	41.1	15.53	41.1	15.70	39.2	14.94
	-5.0	-5.6	43.5	14.99	43.3	15.31	43.3	15.63	43.3	15.80	42.1	15.31	39.2	14.04
	-3.0	-3.7	45.6	15.28	45.6	13.89	45.1	15.65	43.5	15.02	42.1	14.42	39.2	13.23
	0.0	-0.7	49.4	15.72	47.9	13.64	45.1	14.20	43.5	13.64	42.1	13.10	39.2	12.04
	3.0	2.2	50.8	14.97	47.9	13.94	45.1	12.93	43.5	12.44	42.1	11.95	39.2	11.01
	5.0	4.1	50.8	14.08	47.9	13.12	45.1	12.19	43.5	11.71	42.1	11.28	39.2	10.38
	7.0	6.0	50.8	13.23	47.9	12.36	45.1	11.48	43.5	11.06	42.1	10.63	39.2	9.81
	9.0	7.9	50.8	12.47	47.9	11.63	45.1	10.82	43.5	10.43	42.1	10.04	39.2	9.27
11.0	9.8	50.8	11.75	47.9	10.97	45.1	10.23	43.5	9.86	42.1	9.49	39.2	8.78	
13.0	11.8	50.8	11.06	47.9	10.35	45.1	9.64	43.5	9.30	42.1	8.96	39.2	8.29	
15.0	13.7	50.8	10.45	47.9	9.77	45.1	9.13	43.5	8.78	42.1	8.49	39.2	7.87	

GMV5 DC Inverter VRF Units Technical Sales Guide

Combination	Outdoor air temp.		Indoor air temperature. °CDB											
			16		18		20		21		22		24	
	°CDB	°CWB	TC	PI	TC	PI	TC	PI	TC	PI	TC	PI	TC	PI
80	-19.8	-20.0	31.6	13.57	31.4	13.96	31.4	14.36	31.4	14.57	31.3	14.77	31.3	15.16
	-18.8	-19.0	32.1	13.69	32.1	14.09	31.9	14.48	31.9	14.69	31.9	14.87	31.7	15.28
	-16.7	-17.0	33.3	13.98	33.2	14.35	33.2	14.74	33.2	14.92	33.2	15.11	33.0	15.48
	-13.7	-15.0	34.8	14.26	34.6	14.62	34.6	14.99	34.6	15.16	34.4	15.34	34.4	15.72
	-11.8	-13.0	36.2	14.55	36.2	14.91	36.0	15.24	36.0	15.41	36.0	15.60	34.9	15.18
	-9.8	-11.0	37.9	14.84	37.9	15.18	37.8	15.51	37.8	15.66	37.5	15.63	34.9	14.33
	-9.5	-10.0	38.9	14.99	38.7	15.31	38.7	15.63	38.7	15.80	37.5	15.18	34.9	13.91
	-8.5	-9.1	39.7	15.12	39.7	15.45	39.5	15.75	38.7	15.41	37.5	14.77	34.9	13.54
	-7.0	-7.6	41.1	15.34	41.1	15.65	40.0	15.31	38.7	14.70	37.5	14.11	34.9	13.00
	-5.0	-5.6	43.3	13.93	42.5	15.53	40.0	14.38	38.7	13.82	37.5	13.27	34.9	12.19
	-3.0	-3.7	45.1	14.01	42.5	14.62	40.0	13.54	38.7	13.08	37.5	12.51	34.9	11.51
	0.0	-0.7	45.1	14.25	42.5	13.27	40.0	12.32	38.7	11.87	37.5	11.39	34.9	10.50
	3.0	2.2	45.1	12.98	42.5	12.10	40.0	11.26	38.7	10.84	37.5	10.43	34.9	9.62
	5.0	4.1	45.1	12.22	42.5	11.41	40.0	10.62	38.7	10.23	37.5	9.86	34.9	9.10
	7.0	6.0	45.1	11.51	42.5	10.79	40.0	10.03	38.7	9.67	37.5	9.32	34.9	8.61
	9.0	7.9	45.1	10.87	42.5	10.16	40.0	9.52	38.7	9.13	37.5	8.81	34.9	8.15
11.0	9.8	45.1	10.26	42.5	9.60	40.0	8.96	38.7	8.64	37.5	8.34	34.9	7.73	
13.0	11.8	45.1	9.67	42.5	9.06	40.0	8.47	38.7	8.17	37.5	7.88	34.9	7.31	
15.0	13.7	45.1	9.15	42.5	8.59	40.0	8.03	38.7	7.75	37.5	7.48	34.9	6.95	

Combination	Outdoor air temp.		Indoor air temperature. °CDB											
			16		18		20		21		22		24	
	°CDB	°CWB	TC	PI	TC	PI	TC	PI	TC	PI	TC	PI	TC	PI
70	-19.8	-20.0	31.4	14.45	31.3	14.79	31.3	15.14	31.3	15.31	31.3	15.50	30.5	15.33
	-18.8	-19.0	31.9	14.57	31.9	14.91	31.7	15.24	31.7	15.41	31.7	15.60	30.5	15.01
	-16.7	-17.0	33.2	14.80	33.2	15.14	33.0	15.46	33.0	15.63	32.7	15.61	30.5	14.31
	-13.7	-15.0	34.6	15.06	34.4	15.38	34.4	15.70	33.8	15.50	32.7	14.84	30.5	13.61
	-11.8	-13.0	36.0	15.31	36.0	15.61	35.1	15.24	33.8	14.65	32.7	14.06	30.5	12.90
	-9.8	-11.0	37.8	15.56	37.3	15.55	35.1	14.40	33.8	13.84	32.7	13.28	30.5	12.20
	-9.5	-10.0	38.7	15.70	37.3	15.09	35.1	13.98	33.8	13.44	32.7	12.91	30.5	11.87
	-8.5	-9.1	39.5	15.78	37.3	14.69	35.1	13.61	33.8	13.08	32.7	12.58	30.5	11.56
	-7.0	-7.6	39.5	15.07	37.3	14.03	35.1	13.01	33.8	12.52	32.7	12.04	30.5	11.07
	-5.0	-5.6	39.5	14.16	37.3	13.20	35.1	12.25	33.8	11.78	32.7	11.33	30.5	10.45
	-3.0	-3.7	39.5	13.34	37.3	12.44	35.1	11.56	33.8	11.12	32.7	10.70	30.5	9.87
	0.0	-0.7	39.5	12.14	37.3	11.39	35.1	10.55	33.8	10.16	32.7	9.79	30.5	9.05
	3.0	2.2	39.5	11.09	37.3	0.25	35.1	9.67	33.8	9.32	32.7	8.98	30.5	8.30
	5.0	4.1	39.5	10.47	37.3	9.79	35.1	9.15	33.8	8.81	32.7	8.51	30.5	7.87
	7.0	6.0	39.5	9.89	37.3	9.27	35.1	8.64	33.8	8.34	32.7	8.05	30.5	7.46
	9.0	7.9	39.5	9.35	37.3	8.76	35.1	8.19	33.8	7.90	32.7	7.63	30.5	7.07
11.0	9.8	39.5	8.85	37.3	8.29	35.1	7.76	33.8	7.49	32.7	7.24	30.5	6.72	
13.0	11.8	39.5	8.36	37.3	7.85	35.1	7.34	33.8	7.11	32.7	6.85	30.5	6.38	
15.0	13.7	39.5	7.92	37.3	7.44	35.1	6.97	33.8	6.75	32.7	6.52	30.5	6.08	

Combination	Outdoor air temp.		Indoor air temperature. °CDB											
			16		18		20		21		22		24	
	°CDB	°CWB	TC	PI	TC	PI	TC	PI	TC	PI	TC	PI	TC	PI
60	-19.8	-20.0	31.3	15.33	31.1	15.61	30.0	15.02	29.0	14.43	28.1	13.86	26.2	12.71
	-18.8	-19.0	31.7	15.43	31.7	15.72	30.0	14.70	29.0	14.13	28.1	13.55	26.2	12.44
	-16.7	-17.0	33.0	15.63	31.9	15.14	30.0	14.03	29.0	13.49	28.1	12.95	26.2	11.90
	-13.7	-15.0	33.8	15.46	31.9	14.38	30.0	13.34	29.0	12.83	28.1	12.32	26.2	11.33
	-11.8	-13.0	33.8	14.63	31.9	13.62	30.0	12.64	29.0	12.17	28.1	11.70	26.2	10.77
	-9.8	-11.0	33.8	13.82	31.9	12.88	30.0	11.97	29.0	11.51	28.1	11.07	26.2	10.21
	-9.5	-10.0	33.8	13.44	31.9	12.52	30.0	11.63	29.0	11.21	28.1	10.77	26.2	9.93
	-8.5	-9.1	33.8	13.08	31.9	12.20	30.0	11.34	29.0	10.92	28.1	10.50	26.2	9.69
	-7.0	-7.6	33.8	12.51	31.9	11.68	30.0	10.85	29.0	10.47	28.1	10.06	26.2	9.30
	-5.0	-5.6	33.8	11.78	31.9	11.01	30.0	10.25	29.0	9.87	28.1	9.50	26.2	8.79
	-3.0	-3.7	33.8	11.12	31.9	10.40	30.0	9.72	29.0	9.35	28.1	9.00	26.2	8.32
	0.0	-0.7	33.8	10.16	31.9	9.52	30.0	8.88	29.0	8.58	28.1	8.25	26.2	7.65
	3.0	2.2	33.8	9.32	31.9	8.74	30.0	8.17	29.0	7.88	28.1	7.61	26.2	0.30
	5.0	4.1	33.8	8.81	31.9	8.27	30.0	7.73	29.0	7.48	28.1	7.21	26.2	6.70
	7.0	6.0	33.8	8.34	31.9	7.83	30.0	7.33	29.0	7.09	28.1	6.85	26.2	6.36
	9.0	7.9	33.8	7.90	31.9	7.43	30.0	6.95	29.0	6.74	28.1	6.50	26.2	6.06
11.0	9.8	33.8	7.49	31.9	7.06	30.0	6.62	29.0	6.40	28.1	6.18	26.2	5.77	
13.0	11.8	33.8	7.09	31.9	6.68	30.0	6.28	29.0	6.08	28.1	5.87	26.2	5.49	
15.0	13.7	33.8	6.75	31.9	6.35	30.0	5.98	29.0	5.79	28.1	5.60	26.2	5.23	

Combination	Outdoor air temp.		Indoor air temperature. °CDB											
			16		18		20		21		22		24	
	°CDB	°CWB	TC	PI	TC	PI	TC	PI	TC	PI	TC	PI	TC	PI
50	-19.8	-20.0	28.3	13.94	26.7	12.98	25.1	12.05	24.1	11.61	23.3	11.16	21.7	10.28
	-18.8	-19.0	28.3	13.64	26.7	12.71	25.1	11.82	24.1	11.36	23.3	10.92	21.7	10.08
	-16.7	-17.0	28.3	13.01	26.7	12.14	25.1	11.29	24.1	10.87	23.3	10.47	21.7	9.66
	-13.7	-15.0	28.3	12.39	26.7	11.56	25.1	10.75	24.1	10.36	23.3	9.98	21.7	9.22
	-11.8	-13.0	28.3	11.77	26.7	11.01	25.1	10.23	24.1	9.86	23.3	9.49	21.7	8.78
	-9.8	-11.0	28.3	11.14	26.7	10.41	25.1	9.71	24.1	9.35	23.3	9.01	21.7	8.34
	-9.5	-10.0	28.3	10.84	26.7	10.13	25.1	9.45	24.1	9.12	23.3	8.78	21.7	8.12
	-8.5	-9.1	28.3	10.57	26.7	9.89	25.1	9.22	24.1	8.90	23.3	8.58	21.7	7.93
	-7.0	-7.6	28.3	10.13	26.7	9.52	25.1	8.85	24.1	8.54	23.3	8.24	21.7	7.63
	-5.0	-5.6	28.3	9.55	26.7	8.96	25.1	8.37	24.1	8.09	23.3	7.80	21.7	7.22
	-3.0	-3.7	28.3	9.05	26.7	8.49	25.1	7.93	24.1	7.66	23.3	7.39	21.7	6.87
	0.0	-0.7	28.3	8.30	26.7	7.80	25.1	7.31	24.1	7.06	23.3	6.82	21.7	6.35
	3.0	2.2	28.3	7.65	26.7	7.19	25.1	6.74	24.1	6.52	23.3	6.31	21.7	5.87
	5.0	4.1	28.3	7.26	26.7	6.82	25.1	6.40	24.1	6.19	23.3	5.99	21.7	5.59
	7.0	6.0	28.3	6.89	26.7	6.48	25.1	6.09	24.1	5.89	23.3	5.71	21.7	5.33
	9.0	7.9	28.3	6.53	26.7	6.16	25.1	5.79	24.1	5.62	23.3	5.44	21.7	5.08
11.0	9.8	28.3	6.21	26.7	5.86	25.1	5.52	24.1	5.35	23.3	5.18	21.7	4.84	
13.0	11.8	28.3	5.91	26.7	5.57	25.1	5.25	24.1	5.10	23.3	4.93	21.7	4.63	
15.0	13.7	28.3	5.62	26.7	5.32	25.1	5.01	24.1	4.86	23.3	4.71	21.7	4.41	

GMV5 DC Inverter VRF Units Technical Sales Guide

GMV-504WM/B-X

TC—Total capacity of outdoor unit; PI—Power input of outdoor unit

Combination	Outdoor air temp.		Indoor air temperature. °CDB											
			16		18		20		21		22		24	
	°CDB	°CWB	TC	PI	TC	PI	TC	PI	TC	PI	TC	PI	TC	PI
130	-19.8	-20.0	36.6	9.96	36.4	10.66	36.2	11.37	36.2	11.72	36.1	12.07	36.1	12.78
	-18.8	-19.0	37.1	10.18	37.0	10.88	37.0	11.58	36.8	11.92	36.8	12.25	36.6	12.95
	-16.7	-17.0	38.6	10.66	38.4	11.32	38.2	12.00	38.2	12.27	38.2	12.66	38.0	13.33
	-13.7	-15.0	40.2	11.15	40.0	11.80	39.8	12.44	39.8	12.75	39.6	13.08	39.6	13.72
	-11.8	-13.0	41.8	11.65	41.8	12.27	41.6	12.88	41.4	13.19	41.4	13.50	41.3	14.10
	-9.8	-11.0	43.8	12.16	43.6	12.75	43.4	13.33	43.4	13.63	43.4	13.92	43.2	14.51
	-9.5	-10.0	44.8	12.42	44.7	12.99	44.5	13.55	44.5	13.85	44.3	14.12	44.3	14.69
	-8.5	-9.1	45.7	12.64	45.6	13.19	45.6	13.76	45.4	14.03	45.4	14.30	45.2	14.87
	-7.0	-7.6	47.4	13.00	47.4	13.55	47.2	14.09	47.2	14.36	47.0	14.62	46.8	15.17
	-5.0	-5.6	49.9	13.50	49.7	13.74	49.5	14.52	49.5	14.78	49.3	15.02	49.3	15.53
	-3.0	-3.7	52.2	13.94	52.0	14.43	52.0	14.91	51.8	15.17	51.8	15.40	51.7	15.88
	0.0	-0.7	56.3	14.62	56.3	15.07	56.1	15.51	56.1	15.73	56.0	15.97	56.0	16.41
	3.0	2.2	60.8	15.22	60.6	15.64	60.4	16.06	60.4	16.26	60.4	16.48	60.3	16.89
	5.0	4.1	63.9	15.61	63.7	16.01	63.7	16.39	63.5	16.59	63.5	16.80	63.3	17.18
	7.0	6.0	67.1	15.97	66.9	16.34	66.9	16.72	66.7	15.07	66.7	17.09	64.0	16.41
	9.0	7.9	70.5	16.30	70.3	16.67	70.3	17.02	70.1	17.20	68.7	16.85	64.0	15.42
11.0	9.8	74.1	16.63	73.9	16.96	73.5	17.18	71.0	16.50	68.7	15.83	64.0	14.52	
13.0	11.8	78.0	16.94	77.8	17.27	73.5	16.10	71.0	15.46	68.7	14.85	64.0	13.63	
15.0	13.7	81.8	17.24	78.2	16.36	73.5	15.17	71.0	14.58	68.7	13.99	64.0	12.86	
120	-19.8	-20.0	36.4	10.92	36.2	11.56	36.1	12.22	36.1	12.53	36.1	12.86	35.9	13.52
	-18.8	-19.0	37.0	11.12	36.8	11.76	36.8	12.27	36.6	12.71	36.6	13.04	36.4	13.68
	-16.7	-17.0	38.4	11.56	38.2	12.18	38.2	12.78	38.0	13.10	38.0	13.41	37.8	14.01
	-13.7	-15.0	40.0	12.02	39.8	12.60	39.6	13.19	39.6	13.50	39.6	13.79	39.5	14.38
	-11.8	-13.0	41.6	12.47	41.6	13.04	41.4	13.61	41.4	13.90	41.3	14.18	41.3	14.74
	-9.8	-11.0	43.6	12.95	43.4	13.48	43.4	14.03	43.2	14.30	43.2	14.56	43.0	15.13
	-9.5	-10.0	44.7	13.19	44.5	13.72	44.3	14.23	44.3	14.51	44.3	14.65	44.1	15.29
	-8.5	-9.1	45.6	13.39	45.4	13.90	45.4	14.41	45.2	14.67	45.2	14.95	45.0	15.46
	-7.0	-7.6	47.2	13.74	47.2	14.23	47.0	14.73	47.0	14.98	46.8	15.22	46.8	15.72
	-5.0	-5.6	49.7	14.18	49.5	14.65	49.3	15.13	49.3	15.37	49.3	15.61	49.1	16.06
	-3.0	-3.7	52.0	14.60	52.0	15.06	51.8	15.50	51.8	15.72	51.7	15.95	51.7	16.39
	0.0	-0.7	56.1	15.22	56.1	15.64	56.0	16.25	56.0	16.26	55.8	16.47	55.8	16.89
	3.0	2.2	60.6	15.79	60.4	16.17	60.4	16.56	60.3	16.76	60.3	16.94	59.0	16.85
	5.0	4.1	63.7	16.14	63.5	16.50	63.5	16.87	63.3	17.05	63.3	17.24	59.0	15.83
	7.0	6.0	66.9	16.47	66.9	16.81	66.7	17.16	65.6	16.92	63.5	16.23	59.0	14.89
	9.0	7.9	70.3	16.80	70.1	17.13	67.8	16.56	65.6	15.90	63.5	15.26	59.0	14.01
11.0	9.8	73.9	17.09	72.1	16.80	67.8	15.57	65.6	14.96	63.5	14.36	59.0	13.21	
13.0	11.8	76.6	16.92	72.1	15.75	67.8	14.60	65.6	14.05	63.5	13.50	59.0	12.42	
15.0	13.7	76.6	15.93	72.1	14.84	67.8	13.77	65.6	13.24	63.5	12.73	59.0	11.72	

Combination	Outdoor air temp.		Indoor air temperature. °CDB											
			16		18		20		21		22		24	
	°CDB	°CWB	TC	PI	TC	PI	TC	PI	TC	PI	TC	PI	TC	PI
110	-19.8	-20.0	36.2	11.87	36.1	12.45	35.9	13.06	35.9	13.35	35.9	13.65	35.7	14.25
	-18.8	-19.0	36.8	12.05	36.8	12.64	395.3	13.22	36.6	13.52	36.4	13.81	36.4	14.40
	-16.7	-17.0	38.2	12.45	38.0	13.02	38.0	13.59	37.8	13.87	37.8	14.16	37.7	14.71
	-13.7	-15.0	39.8	12.88	39.6	13.43	39.5	13.96	39.5	14.23	39.5	14.51	39.3	15.04
	-11.8	-13.0	41.4	13.32	41.4	13.83	41.3	14.34	41.3	14.60	41.1	14.85	41.1	15.39
	-9.8	-11.0	43.4	13.74	43.2	14.23	43.2	14.73	43.0	14.98	43.0	15.22	43.0	15.72
	-9.5	-10.0	44.5	13.96	44.3	14.43	44.1	14.93	44.1	15.17	44.1	15.40	43.9	15.88
	-8.5	-9.1	45.4	14.14	45.2	14.62	45.2	15.09	45.2	15.33	45.0	15.57	45.0	16.03
	-7.0	-7.6	47.0	14.47	47.0	14.91	46.8	15.37	46.8	15.61	47.4	15.83	46.6	16.28
	-5.0	-5.6	49.5	14.87	49.3	15.31	49.1	15.73	49.1	15.95	51.5	16.17	49.0	16.61
	-3.0	-3.7	51.8	15.26	51.8	15.66	51.7	16.08	51.7	16.28	55.8	16.48	51.5	16.91
	0.0	-0.7	56.0	15.83	56.0	16.21	55.8	16.59	55.8	16.78	58.1	16.98	54.2	16.65
	3.0	2.2	60.4	16.36	60.3	16.70	60.3	17.05	60.1	17.22	58.1	16.52	54.2	15.15
	5.0	4.1	63.5	16.67	63.5	17.02	62.2	16.85	60.1	16.17	58.1	15.53	54.2	14.25
	7.0	6.0	66.7	16.98	66.2	17.09	62.2	15.83	60.1	15.20	58.1	14.60	54.2	13.41
	9.0	7.9	70.1	17.25	66.2	16.06	62.2	14.89	60.1	14.30	58.1	13.74	54.2	12.64
11.0	9.8	70.1	16.23	66.2	15.11	62.2	14.01	60.1	13.48	58.1	12.95	54.2	11.92	
13.0	11.8	70.1	15.22	66.2	14.18	62.2	13.17	60.1	12.67	58.1	12.18	54.2	11.23	
15.0	13.7	70.1	14.34	66.2	13.37	62.2	12.44	60.1	11.96	58.1	11.52	54.2	10.62	

Combination	Outdoor air temp.		Indoor air temperature. °CDB											
			16		18		20		21		22		24	
	°CDB	°CWB	TC	PI	TC	PI	TC	PI	TC	PI	TC	PI	TC	PI
100	-19.8	-20.0	36.1	12.82	35.9	13.35	35.9	13.90	35.7	14.18	35.7	14.43	35.5	14.98
	-18.8	-19.0	36.6	12.99	36.6	13.52	36.4	14.05	36.4	14.32	36.2	14.60	36.2	15.13
	-16.7	-17.0	38.0	13.35	37.8	13.87	37.8	14.38	37.8	14.63	37.7	14.89	37.7	15.40
	-13.7	-15.0	39.6	13.74	39.5	14.23	39.5	14.73	39.3	14.98	39.3	15.22	39.1	15.72
	-11.8	-13.0	41.3	14.14	41.3	14.60	41.1	15.07	41.1	15.31	41.1	15.00	40.9	16.03
	-9.8	-11.0	43.2	14.52	43.0	14.98	43.0	15.42	43.0	15.66	42.9	15.88	42.9	16.32
	-9.5	-10.0	44.3	14.73	44.1	15.17	44.1	15.61	43.9	15.83	43.9	16.04	43.8	16.48
	-8.5	-9.1	45.2	14.89	45.2	15.33	45.0	15.75	45.0	15.97	44.8	16.19	44.8	16.61
	-7.0	-7.6	46.8	15.18	46.8	15.61	46.6	16.01	46.6	16.23	46.6	16.43	46.5	16.85
	-5.0	-5.6	49.3	15.57	49.1	15.95	49.1	16.36	49.0	16.56	49.0	16.74	49.0	17.14
	-3.0	-3.7	51.7	15.92	51.7	16.28	51.5	16.67	51.5	16.85	51.5	17.03	49.3	16.32
	0.0	-0.7	55.8	16.45	55.8	16.78	55.6	17.13	54.7	16.85	52.9	16.15	49.3	14.84
	3.0	2.2	60.3	16.91	60.1	17.22	56.5	15.93	54.7	15.31	52.9	14.71	49.3	13.50
	5.0	4.1	63.3	17.22	60.1	16.17	56.5	14.98	54.7	14.41	52.9	13.85	49.3	12.73
	7.0	6.0	63.7	16.34	60.1	15.20	56.5	14.10	54.7	13.57	52.9	13.04	49.3	12.00
	9.0	7.9	63.7	15.35	60.1	14.30	56.5	13.28	54.7	12.78	52.9	12.29	49.3	11.32
11.0	9.8	63.7	14.45	60.1	13.48	56.5	12.53	54.7	12.05	52.9	11.59	49.3	10.70	
13.0	11.8	63.7	13.57	60.1	12.67	56.5	11.80	54.7	11.36	52.9	10.93	49.3	10.09	
15.0	13.7	63.7	12.80	60.1	11.96	56.5	11.14	54.7	10.73	52.9	10.33	49.3	9.56	

GMV5 DC Inverter VRF Units Technical Sales Guide

Combination	Outdoor air temp.		Indoor air temperature. °CDB											
			16		18		20		21		22		24	
	°CDB	°CWB	TC	PI	TC	PI	TC	PI	TC	PI	TC	PI	TC	PI
			kW	kW	kW	kW	kW	kW	kW	kW	kW	kW	kW	kW
90	-19.8	-20.0	35.9	13.77	35.7	14.25	35.7	14.74	35.5	14.98	35.5	15.24	35.5	15.72
	-18.8	-19.0	36.4	13.92	36.4	14.41	36.2	14.89	36.2	15.13	36.2	15.37	36.1	15.84
	-16.7	-17.0	37.8	14.27	37.7	14.73	37.7	15.18	37.7	15.42	37.5	15.64	37.5	16.10
	-13.7	-15.0	39.5	14.62	39.3	15.06	39.3	15.50	39.1	15.57	39.1	15.93	39.1	16.37
	-11.8	-13.0	41.1	14.96	41.1	15.39	40.9	15.81	40.9	16.03	40.9	16.23	40.7	16.65
	-9.8	-11.0	43.0	15.31	43.0	15.72	42.9	16.12	42.9	16.34	42.9	16.54	42.7	16.94
	-9.5	-10.0	44.1	15.50	43.9	15.90	43.9	16.28	43.8	16.48	43.8	16.69	43.8	17.07
	-8.5	-9.1	45.0	15.66	45.0	16.04	44.8	16.43	44.8	16.61	44.8	16.81	44.3	16.98
	-7.0	-7.6	46.6	15.92	46.6	16.28	46.5	16.67	46.5	16.85	46.5	17.03	44.3	16.21
	-5.0	-5.6	49.1	16.26	49.0	16.61	49.0	16.96	49.0	17.14	47.5	16.61	44.3	15.24
	-3.0	-3.7	51.5	16.58	51.5	15.07	50.9	16.98	49.1	16.30	47.5	15.64	44.3	14.36
	0.0	-0.7	55.8	17.05	54.2	14.80	50.9	15.40	49.1	14.80	47.5	14.21	44.3	13.06
	3.0	2.2	57.4	16.25	54.2	15.13	50.9	14.03	49.1	13.50	47.5	12.97	44.3	11.94
	5.0	4.1	57.4	15.28	54.2	14.23	50.9	13.22	49.1	12.71	47.5	12.24	44.3	11.26
	7.0	6.0	57.4	14.36	54.2	13.41	50.9	12.45	49.1	12.00	47.5	11.54	44.3	10.64
	9.0	7.9	57.4	13.54	54.2	12.62	50.9	11.74	49.1	11.32	47.5	10.90	44.3	10.06
11.0	9.8	57.4	12.75	54.2	11.91	50.9	11.10	49.1	10.70	47.5	10.29	44.3	9.52	
13.0	11.8	57.4	12.00	54.2	11.23	50.9	10.46	49.1	10.09	47.5	9.73	44.3	8.99	
15.0	13.7	57.4	11.34	54.2	10.60	50.9	9.91	49.1	9.52	47.5	9.21	44.3	8.54	

Combination	Outdoor air temp.		Indoor air temperature. °CDB											
			16		18		20		21		22		24	
	°CDB	°CWB	TC	PI	TC	PI	TC	PI	TC	PI	TC	PI	TC	PI
			kW	kW	kW	kW	kW	kW	kW	kW	kW	kW	kW	kW
80	-19.8	-20.0	35.7	14.73	35.5	15.15	35.5	15.59	35.5	15.81	35.3	16.03	35.3	16.45
	-18.8	-19.0	36.2	14.85	36.2	15.29	36.1	15.72	36.1	15.93	36.1	16.14	35.9	16.58
	-16.7	-17.0	37.7	15.17	37.5	15.57	37.5	15.99	37.5	16.19	37.5	16.39	37.3	16.80
	-13.7	-15.0	39.3	15.48	39.1	15.86	39.1	16.26	39.1	16.45	38.9	16.65	38.9	17.05
	-11.8	-13.0	40.9	15.79	40.9	16.17	40.7	16.54	40.7	16.72	40.7	16.92	39.5	16.47
	-9.8	-11.0	42.9	16.10	42.9	16.47	42.7	16.83	42.7	17.00	42.3	16.96	39.5	15.55
	-9.5	-10.0	43.9	16.26	43.8	16.61	43.8	16.96	43.8	17.14	42.3	16.47	39.5	15.09
	-8.5	-9.1	44.8	16.41	44.8	16.76	44.7	17.09	43.8	16.72	42.3	16.03	39.5	14.69
	-7.0	-7.6	46.5	16.65	46.5	16.98	45.2	16.61	43.8	15.95	42.3	15.31	39.5	14.10
	-5.0	-5.6	49.0	15.11	48.1	16.85	45.2	15.61	43.8	15.00	42.3	14.40	39.5	13.22
	-3.0	-3.7	50.9	15.20	48.1	15.86	45.2	14.69	43.8	14.19	42.3	13.57	39.5	12.49
	0.0	-0.7	50.9	15.46	48.1	14.40	45.2	13.37	43.8	12.88	42.3	12.36	39.5	11.39
	3.0	2.2	50.9	14.09	48.1	13.13	45.2	12.22	43.8	11.76	42.3	11.32	39.5	10.44
	5.0	4.1	50.9	13.26	48.1	12.38	45.2	11.52	43.8	11.10	42.3	10.70	39.5	9.87
	7.0	6.0	50.9	12.49	48.1	11.70	45.2	10.88	43.8	10.50	42.3	10.11	39.5	9.34
	9.0	7.9	50.9	11.80	48.1	11.03	45.2	10.33	43.8	9.91	42.3	9.56	39.5	8.85
11.0	9.8	50.9	11.14	48.1	10.42	45.2	9.73	43.8	9.38	42.3	9.05	39.5	8.39	
13.0	11.8	50.9	10.50	48.1	9.84	45.2	9.19	43.8	8.86	42.3	8.55	39.5	7.93	
15.0	13.7	50.9	9.93	48.1	9.32	45.2	8.72	43.8	8.41	42.3	8.11	39.5	7.55	

Combination	Outdoor air temp.		Indoor air temperature. °CDB											
			16		18		20		21		22		24	
	°CDB	°CWB	TC	PI	TC	PI	TC	PI	TC	PI	TC	PI	TC	PI
70	-19.8	-20.0	35.5	15.68	35.3	16.04	35.3	16.43	35.3	16.61	35.3	16.81	34.4	16.63
	-18.8	-19.0	36.1	15.81	36.1	16.17	35.9	16.54	35.9	16.72	35.9	16.92	34.4	16.28
	-16.7	-17.0	37.5	16.06	37.5	16.43	37.3	16.78	37.3	16.96	37.0	16.94	34.4	15.53
	-13.7	-15.0	39.1	16.34	38.9	16.69	38.9	17.03	38.2	163.31	37.0	16.10	34.4	14.76
	-11.8	-13.0	40.7	16.61	40.7	16.94	39.6	16.54	38.2	15.90	37.0	15.26	34.4	13.99
	-9.8	-11.0	42.7	16.89	42.2	16.87	39.6	15.62	38.2	15.02	37.0	14.41	34.4	13.24
	-9.5	-10.0	43.8	17.03	42.2	16.37	39.6	15.17	38.2	14.58	37.0	14.01	34.4	12.88
	-8.5	-9.1	44.7	17.13	42.2	15.93	39.6	14.76	38.2	14.19	37.0	13.65	34.4	12.55
	-7.0	-7.6	44.7	16.36	42.2	15.22	39.6	14.12	38.2	13.59	37.0	13.06	34.4	12.02
	-5.0	-5.6	44.7	15.37	42.2	14.32	39.6	13.30	38.2	12.78	37.0	12.29	34.4	11.34
	-3.0	-3.7	44.7	14.47	42.2	13.50	39.6	12.55	38.2	12.07	37.0	11.61	34.4	10.71
	0.0	-0.7	44.7	13.17	42.2	12.36	39.6	11.45	38.2	11.03	37.0	10.62	34.4	9.82
	3.0	2.2	44.7	12.03	42.2	0.27	39.6	10.50	38.2	10.11	37.0	9.74	34.4	9.01
	5.0	4.1	44.7	11.36	42.2	10.62	39.6	9.93	38.2	9.56	37.0	9.23	34.4	8.54
	7.0	6.0	44.7	10.73	42.2	10.06	39.6	9.38	38.2	9.05	37.0	8.74	34.4	8.10
	9.0	7.9	44.7	10.15	42.2	9.51	39.6	8.88	38.2	8.57	37.0	8.28	34.4	7.67
	11.0	9.8	44.7	9.60	42.2	8.99	39.6	8.43	38.2	8.13	37.0	7.86	34.4	7.29
13.0	11.8	44.7	9.07	42.2	8.52	39.6	7.97	38.2	7.71	37.0	7.44	34.4	6.92	
15.0	13.7	44.7	8.59	42.2	8.08	39.6	7.56	38.2	7.33	37.0	7.07	34.4	6.59	

Combination	Outdoor air temp.		Indoor air temperature. °CDB											
			16		18		20		21		22		24	
	°CDB	°CWB	TC	PI	TC	PI	TC	PI	TC	PI	TC	PI	TC	PI
60	-19.8	-20.0	35.3	16.63	35.2	16.94	33.9	16.30	32.8	15.66	31.7	15.04	29.6	13.79
	-18.8	-19.0	35.9	16.74	35.9	17.05	33.9	15.95	32.8	15.33	31.7	14.71	29.6	13.50
	-16.7	-17.0	37.3	16.96	36.1	16.43	33.9	15.22	32.8	14.63	31.7	14.05	29.6	12.91
	-13.7	-15.0	38.2	16.78	36.1	15.61	33.9	14.47	32.8	13.92	31.7	13.37	29.6	12.29
	-11.8	-13.0	38.2	15.88	36.1	14.78	33.9	13.72	32.8	13.21	31.7	12.69	29.6	11.69
	-9.8	-11.0	38.2	15.00	36.1	13.98	33.9	12.99	32.8	12.49	31.7	12.02	29.6	11.08
	-9.5	-10.0	38.2	14.58	36.1	13.59	33.9	12.62	32.8	12.16	31.7	11.69	29.6	10.77
	-8.5	-9.1	38.2	14.19	36.1	13.24	33.9	12.31	32.8	11.85	31.7	11.39	29.6	10.51
	-7.0	-7.6	38.2	13.57	36.1	12.67	33.9	11.78	32.8	11.36	31.7	10.92	29.6	10.09
	-5.0	-5.6	38.2	12.78	36.1	11.94	33.9	11.12	32.8	10.71	31.7	10.31	29.6	9.54
	-3.0	-3.7	38.2	12.07	36.1	11.28	33.9	10.55	32.8	10.15	31.7	9.76	29.6	9.03
	0.0	-0.7	38.2	11.03	36.1	10.33	33.9	9.63	32.8	9.30	31.7	8.96	29.6	8.30
	3.0	2.2	38.2	10.11	36.1	9.49	33.9	8.86	32.8	8.55	31.7	8.26	29.6	0.33
	5.0	4.1	38.2	9.56	36.1	8.97	33.9	8.39	32.8	8.11	31.7	7.82	29.6	7.27
	7.0	6.0	38.2	9.05	36.1	8.50	33.9	7.95	32.8	7.69	31.7	7.44	29.6	6.91
	9.0	7.9	38.2	8.57	36.1	8.06	33.9	7.55	32.8	7.31	31.7	7.05	29.6	6.58
	11.0	9.8	38.2	8.13	36.1	7.66	33.9	7.18	32.8	6.94	31.7	6.70	29.6	6.26
13.0	11.8	38.2	7.69	36.1	7.25	33.9	6.81	32.8	6.59	31.7	6.37	29.6	5.95	
15.0	13.7	38.2	7.33	36.1	6.89	33.9	6.48	32.8	6.28	31.7	6.08	29.6	5.68	

GMV5 DC Inverter VRF Units Technical Sales Guide

Combination	Outdoor air temp.		Indoor air temperature. °CDB											
			16		18		20		21		22		24	
	°CDB	°CWB	TC	PI	TC	PI	TC	PI	TC	PI	TC	PI	TC	PI
50	-19.8	-20.0	31.9	15.13	30.1	14.09	28.3	13.08	27.3	12.60	26.4	12.11	24.6	11.15
	-18.8	-19.0	31.9	14.80	30.1	13.79	28.3	12.82	27.3	12.33	26.4	11.85	24.6	10.93
	-16.7	-17.0	31.9	14.12	30.1	13.17	28.3	12.25	27.3	11.80	26.4	11.36	24.6	10.48
	-13.7	-15.0	31.9	13.44	30.1	12.55	28.3	11.67	27.3	11.25	26.4	10.82	24.6	10.00
	-11.8	-13.0	31.9	12.77	30.1	11.94	28.3	11.10	27.3	10.70	26.4	10.29	24.6	9.52
	-9.8	-11.0	31.9	12.09	30.1	11.30	28.3	10.53	27.3	10.15	26.4	9.78	24.6	9.05
	-9.5	-10.0	31.9	11.76	30.1	10.99	28.3	10.26	27.3	9.89	26.4	9.52	24.6	8.81
	-8.5	-9.1	31.9	11.47	30.1	10.73	28.3	10.00	27.3	9.65	26.4	9.30	24.6	8.61
	-7.0	-7.6	31.9	10.99	30.1	10.33	28.3	9.60	27.3	9.27	26.4	8.94	24.6	8.28
	-5.0	-5.6	31.9	10.37	30.1	9.73	28.3	9.08	27.3	8.77	26.4	8.46	24.6	7.84
	-3.0	-3.7	31.9	9.82	30.1	9.21	28.3	8.61	27.3	8.32	26.4	8.02	24.6	7.45
	0.0	-0.7	31.9	9.01	30.1	8.46	28.3	7.93	27.3	7.66	26.4	7.40	24.6	6.89
	3.0	2.2	31.9	8.30	30.1	7.80	28.3	7.31	27.3	7.07	26.4	6.85	24.6	6.37
	5.0	4.1	31.9	7.88	30.1	7.40	28.3	6.94	27.3	6.72	26.4	6.50	24.6	6.06
	7.0	6.0	31.9	7.47	30.1	7.03	28.3	6.61	27.3	6.39	26.4	6.19	24.6	5.79
	9.0	7.9	31.9	7.09	30.1	6.69	28.3	6.28	27.3	6.10	26.4	5.90	24.6	5.51
11.0	9.8	31.9	6.74	30.1	6.36	28.3	5.99	27.3	5.81	26.4	5.62	24.6	5.26	
13.0	11.8	31.9	6.41	30.1	6.04	28.3	5.70	27.3	5.53	26.4	5.35	24.6	5.02	
15.0	13.7	31.9	6.10	30.1	5.77	28.3	5.44	27.3	5.28	26.4	5.11	24.6	4.78	

GMV-560WM/B-X

TC—Total capacity of outdoor unit; PI—Power input of outdoor unit

Combination	Outdoor air temp.		Indoor air temperature. °CDB											
			16		18		20		21		22		24	
	°CDB	°CWB	TC	PI	TC	PI	TC	PI	TC	PI	TC	PI	TC	PI
130	-19.8	-20.0	40.8	11.73	40.6	12.55	40.4	13.39	40.4	13.80	40.2	14.21	40.2	15.05
	-18.8	-19.0	41.4	11.99	41.2	12.81	41.2	13.63	41.0	14.03	41.0	14.42	40.8	15.24
	-16.7	-17.0	43.0	12.55	42.8	13.32	42.6	14.12	42.6	14.44	42.6	14.90	42.4	15.69
	-13.7	-15.0	44.8	13.13	44.6	13.88	44.4	14.64	44.4	15.01	44.2	15.39	44.2	16.15
	-11.8	-13.0	46.6	13.71	46.6	14.44	46.4	15.16	46.2	15.52	46.2	15.89	46.0	16.60
	-9.8	-11.0	48.8	14.32	48.6	15.01	48.4	15.69	48.4	16.04	48.4	16.38	48.2	17.07
	-9.5	-10.0	50.0	14.62	49.8	15.29	49.6	15.95	49.6	16.30	49.4	16.62	49.4	17.29
	-8.5	-9.1	51.0	14.88	50.8	15.52	50.8	16.19	50.6	16.51	50.6	16.84	50.4	17.51
	-7.0	-7.6	52.8	15.31	52.8	15.95	52.6	16.58	52.6	16.90	52.4	17.20	52.2	17.85
	-5.0	-5.6	55.6	15.89	55.4	16.17	55.2	17.10	55.2	17.40	55.0	17.68	55.0	18.28
	-3.0	-3.7	58.2	16.41	58.0	16.99	58.0	17.55	57.8	17.85	57.8	18.13	57.6	18.69
	0.0	-0.7	62.8	17.20	62.8	17.74	62.6	18.26	62.6	18.52	62.4	18.80	62.4	19.32
	3.0	2.2	67.8	17.92	67.6	18.41	67.4	18.91	67.4	19.14	67.4	19.40	67.2	19.88
	5.0	4.1	71.2	18.37	71.0	18.84	71.0	19.30	70.8	19.53	70.8	19.77	70.6	20.22
	7.0	6.0	74.8	18.80	74.6	19.23	74.6	19.68	74.4	17.74	74.4	20.11	71.4	19.32
	9.0	7.9	78.6	19.19	78.4	19.62	78.4	20.03	78.2	20.24	76.6	19.83	71.4	18.15
11.0	9.8	82.6	19.58	82.4	19.96	82.0	20.22	79.2	19.42	76.6	18.63	71.4	17.10	
13.0	11.8	87.0	19.94	86.8	20.33	82.0	18.95	79.2	18.20	76.6	17.48	71.4	16.04	
15.0	13.7	91.2	20.29	87.2	19.25	82.0	17.85	79.2	17.16	76.6	16.47	71.4	15.13	

Combination	Outdoor air temp.		Indoor air temperature. °CDB											
			16		18		20		21		22		24	
	°CDB	°CWB	TC	PI	TC	PI	TC	PI	TC	PI	TC	PI	TC	PI
120	-19.8	-20.0	40.6	12.85	40.4	13.60	40.2	14.38	40.2	14.75	40.2	15.13	40.0	15.91
	-18.8	-19.0	41.2	13.09	41.0	13.84	41.0	14.44	40.8	14.96	40.8	15.35	40.6	16.10
	-16.7	-17.0	42.8	13.60	42.6	14.34	42.6	15.05	42.4	15.41	42.4	15.78	42.2	16.49
	-13.7	-15.0	44.6	14.14	44.4	14.83	44.2	15.52	44.2	15.89	44.2	16.23	44.0	16.92
	-11.8	-13.0	46.4	14.68	46.4	15.35	46.2	16.02	46.2	16.36	46.0	16.69	46.0	17.35
	-9.8	-11.0	48.6	15.24	48.4	15.87	48.4	16.51	48.2	16.84	48.2	17.14	48.0	17.81
	-9.5	-10.0	49.8	15.52	49.6	16.15	49.4	16.75	49.4	17.07	49.4	17.25	49.2	18.00
	-8.5	-9.1	50.8	15.76	50.6	16.36	50.6	16.97	50.4	17.27	50.4	17.59	50.2	18.20
	-7.0	-7.6	52.6	16.17	52.6	16.75	52.4	17.33	52.4	17.64	52.2	17.92	52.2	18.50
	-5.0	-5.6	55.4	16.69	55.2	17.25	55.0	17.81	55.0	18.09	55.0	18.37	54.8	18.91
	-3.0	-3.7	58.0	17.18	58.0	17.72	57.8	18.24	57.8	18.50	57.6	18.78	57.6	19.30
	0.0	-0.7	62.6	17.92	62.6	18.41	62.4	19.12	62.4	19.14	62.2	19.38	62.2	19.88
	3.0	2.2	67.6	18.58	67.4	19.04	67.4	19.49	67.2	19.73	67.2	19.94	65.8	19.83
	5.0	4.1	71.0	18.99	70.8	19.42	70.8	19.86	70.6	20.07	70.6	20.29	65.8	18.63
	7.0	6.0	74.6	19.38	74.6	19.79	74.4	20.20	73.2	19.92	70.8	19.10	65.8	17.53
	9.0	7.9	78.4	19.77	78.2	20.16	75.6	19.49	73.2	18.71	70.8	17.96	65.8	16.49
11.0	9.8	82.4	20.11	80.4	19.77	75.6	18.33	73.2	17.61	70.8	16.90	65.8	15.54	
13.0	11.8	85.4	19.92	80.4	18.54	75.6	17.18	73.2	16.54	70.8	15.89	65.8	14.62	
15.0	13.7	85.4	18.76	80.4	17.46	75.6	16.21	73.2	15.59	70.8	14.98	65.8	13.80	

Combination	Outdoor air temp.		Indoor air temperature. °CDB											
			16		18		20		21		22		24	
	°CDB	°CWB	TC	PI	TC	PI	TC	PI	TC	PI	TC	PI	TC	PI
110	-19.8	-20.0	40.4	13.97	40.2	14.66	40.0	15.37	40.0	15.72	40.0	16.06	39.8	16.77
	-18.8	-19.0	41.0	14.19	41.0	14.88	40.8	15.57	40.8	15.91	40.6	16.26	40.6	16.95
	-16.7	-17.0	42.6	14.66	42.4	15.33	42.4	16.00	42.2	16.32	42.2	16.67	42.0	17.31
	-13.7	-15.0	44.4	15.16	44.2	15.80	44.0	16.43	44.0	16.75	44.0	17.07	43.8	17.70
	-11.8	-13.0	46.2	15.67	46.2	16.28	46.0	16.88	46.0	17.18	45.8	17.48	45.8	18.11
	-9.8	-11.0	48.4	16.17	48.2	16.75	48.2	17.33	48.0	17.64	48.0	17.92	48.0	18.50
	-9.5	-10.0	49.6	16.43	49.4	16.99	49.2	17.57	49.2	17.85	49.2	18.13	49.0	18.69
	-8.5	-9.1	50.6	16.64	50.4	17.20	50.4	17.76	50.4	18.04	50.2	18.33	50.2	18.86
	-7.0	-7.6	52.4	17.03	52.4	17.55	52.2	18.09	52.2	18.37	52.8	18.63	52.0	19.17
	-5.0	-5.6	55.2	17.51	55.0	18.02	54.8	18.52	54.8	18.78	57.4	19.04	54.6	19.55
	-3.0	-3.7	57.8	17.96	57.8	18.43	57.6	18.93	57.6	19.17	62.2	19.40	57.4	19.90
	0.0	-0.7	62.4	18.63	62.4	19.08	62.2	19.53	62.2	19.75	64.8	19.99	60.4	19.60
	3.0	2.2	67.4	19.25	67.2	19.66	67.2	20.07	67.0	20.27	64.8	19.45	60.4	17.83
	5.0	4.1	70.8	19.62	70.8	20.03	69.4	19.83	67.0	19.04	64.8	18.28	60.4	16.77
	7.0	6.0	74.4	19.99	73.8	20.11	69.4	18.63	67.0	17.89	64.8	17.18	60.4	15.78
	9.0	7.9	78.2	20.31	73.8	18.91	69.4	17.53	67.0	16.84	64.8	16.17	60.4	14.88
11.0	9.8	78.2	19.10	73.8	17.79	69.4	16.49	67.0	15.87	64.8	15.24	60.4	14.03	
13.0	11.8	78.2	17.92	73.8	16.69	69.4	15.50	67.0	14.92	64.8	14.34	60.4	13.22	
15.0	13.7	78.2	16.88	73.8	15.74	69.4	14.64	67.0	14.08	64.8	13.56	60.4	12.50	

GMV5 DC Inverter VRF Units Technical Sales Guide

Combination	Outdoor air temp.		Indoor air temperature. °CDB											
			16		18		20		21		22		24	
	°CDB	°CWB	TC	PI	TC	PI	TC	PI	TC	PI	TC	PI	TC	PI
			kW	kW	kW	kW	kW	kW	kW	kW	kW	kW	kW	kW
100	-19.8	-20.0	40.2	15.09	40.0	15.72	40.0	16.36	39.8	16.69	39.8	16.99	39.6	17.64
	-18.8	-19.0	40.8	15.29	40.8	15.91	40.6	16.54	40.6	16.86	40.4	17.18	40.4	17.81
	-16.7	-17.0	42.4	15.72	42.2	16.32	42.2	16.92	42.2	17.23	42.0	17.53	42.0	18.13
	-13.7	-15.0	44.2	16.17	44.0	16.75	44.0	17.33	43.8	17.64	43.8	17.92	43.6	18.50
	-11.8	-13.0	46.0	16.64	46.0	17.18	45.8	17.74	45.8	18.02	45.8	17.66	45.6	18.86
	-9.8	-11.0	48.2	17.10	48.0	17.64	48.0	18.15	48.0	18.43	47.8	18.69	47.8	19.21
	-9.5	-10.0	49.4	17.33	49.2	17.85	49.2	18.37	49.0	18.63	49.0	18.89	48.8	19.40
	-8.5	-9.1	50.4	17.53	50.4	18.04	50.2	18.54	50.2	18.80	50.0	19.06	50.0	19.55
	-7.0	-7.6	52.2	17.87	52.2	18.37	52.0	18.84	52.0	19.10	52.0	19.34	51.8	19.83
	-5.0	-5.6	55.0	18.33	54.8	18.78	54.8	19.25	54.6	19.49	54.6	19.70	54.6	20.18
	-3.0	-3.7	57.6	18.73	57.6	19.17	57.4	19.62	57.4	19.83	57.4	20.05	55.0	19.21
	0.0	-0.7	62.2	19.36	62.2	19.75	62.0	20.16	61.0	19.83	59.0	19.02	55.0	17.46
	3.0	2.2	67.2	19.90	67.0	20.27	63.0	18.76	61.0	18.02	59.0	17.31	55.0	15.89
	5.0	4.1	70.6	20.27	67.0	19.04	63.0	17.64	61.0	16.97	59.0	16.30	55.0	14.98
	7.0	6.0	71.0	19.23	67.0	17.89	63.0	16.60	61.0	15.98	59.0	15.35	55.0	14.12
	9.0	7.9	71.0	18.07	67.0	16.84	63.0	15.63	61.0	15.05	59.0	14.47	55.0	13.32
11.0	9.8	71.0	17.01	67.0	15.87	63.0	14.75	61.0	14.19	59.0	13.65	55.0	12.59	
13.0	11.8	71.0	15.98	67.0	14.92	63.0	13.88	61.0	13.37	59.0	12.87	55.0	11.88	
15.0	13.7	71.0	15.07	67.0	14.08	63.0	13.11	61.0	12.63	59.0	12.16	55.0	11.25	

Combination	Outdoor air temp.		Indoor air temperature. °CDB											
			16		18		20		21		22		24	
	°CDB	°CWB	TC	PI	TC	PI	TC	PI	TC	PI	TC	PI	TC	PI
			kW	kW	kW	kW	kW	kW	kW	kW	kW	kW	kW	kW
90	-19.8	-20.0	40.0	16.21	39.8	16.77	39.8	17.35	39.6	17.64	39.6	17.94	39.6	18.50
	-18.8	-19.0	40.6	16.38	40.6	16.97	40.4	17.53	40.4	17.81	40.4	18.09	40.2	18.65
	-16.7	-17.0	42.2	16.79	42.0	17.33	42.0	17.87	42.0	18.15	41.8	18.41	41.8	18.95
	-13.7	-15.0	44.0	17.20	43.8	17.72	43.8	18.24	43.6	18.33	43.6	18.76	43.6	19.27
	-11.8	-13.0	45.8	17.61	45.8	18.11	45.6	18.61	45.6	18.86	45.6	19.10	45.4	19.60
	-9.8	-11.0	48.0	18.02	48.0	18.50	47.8	18.97	47.8	19.23	47.8	19.47	47.6	19.94
	-9.5	-10.0	49.2	18.24	49.0	18.71	49.0	19.17	48.8	19.40	48.8	19.64	48.8	20.09
	-8.5	-9.1	50.2	18.43	50.2	18.89	50.0	19.34	50.0	19.55	50.0	19.79	49.4	19.99
	-7.0	-7.6	52.0	18.73	52.0	19.17	51.8	19.62	51.8	19.83	51.8	20.05	49.4	19.08
	-5.0	-5.6	54.8	19.14	54.6	19.55	54.6	19.96	54.6	20.18	53.0	19.55	49.4	17.94
	-3.0	-3.7	57.4	19.51	57.4	17.74	56.8	19.99	54.8	19.19	53.0	18.41	49.4	16.90
	0.0	-0.7	62.2	20.07	60.4	17.42	56.8	18.13	54.8	17.42	53.0	16.73	49.4	15.37
	3.0	2.2	64.0	19.12	60.4	17.81	56.8	16.51	54.8	15.89	53.0	15.26	49.4	14.06
	5.0	4.1	64.0	17.98	60.4	16.75	56.8	15.57	54.8	14.96	53.0	14.40	49.4	13.26
	7.0	6.0	64.0	16.90	60.4	15.78	56.8	14.66	54.8	14.12	53.0	13.58	49.4	12.53
	9.0	7.9	64.0	15.93	60.4	14.85	56.8	13.82	54.8	13.32	53.0	12.83	49.4	11.84
11.0	9.8	64.0	15.01	60.4	14.01	56.8	13.06	54.8	12.59	53.0	12.12	49.4	11.21	
13.0	11.8	64.0	14.12	60.4	13.22	56.8	12.31	54.8	11.88	53.0	11.45	49.4	10.59	
15.0	13.7	64.0	13.35	60.4	12.48	56.8	11.66	54.8	11.21	53.0	10.84	49.4	10.05	

Combination	Outdoor air temp.		Indoor air temperature. °CDB											
			16		18		20		21		22		24	
	°CDB	°CWB	TC	PI	TC	PI	TC	PI	TC	PI	TC	PI	TC	PI
80	-19.8	-20.0	39.8	17.33	39.6	17.83	39.6	18.35	39.6	18.61	39.4	18.86	39.4	19.36
	-18.8	-19.0	40.4	17.48	40.4	18.00	40.2	18.50	40.2	18.76	40.2	18.99	40.0	19.51
	-16.7	-17.0	42.0	17.85	41.8	18.33	41.8	18.82	41.8	19.06	41.8	19.30	41.6	19.77
	-13.7	-15.0	43.8	18.22	43.6	18.67	43.6	19.14	43.6	19.36	43.4	19.60	43.4	20.07
	-11.8	-13.0	45.6	18.58	45.6	19.04	45.4	19.47	45.4	19.68	45.4	19.92	44.0	19.38
	-9.8	-11.0	47.8	18.95	47.8	19.38	47.6	19.81	47.6	20.01	47.2	19.96	44.0	18.30
	-9.5	-10.0	49.0	19.14	48.8	19.55	48.8	19.96	48.8	20.18	47.2	19.38	44.0	17.76
	-8.5	-9.1	50.0	19.32	50.0	19.73	49.8	20.11	48.8	19.68	47.2	18.86	44.0	17.29
	-7.0	-7.6	51.8	19.60	51.8	19.99	50.4	19.55	48.8	18.78	47.2	18.02	44.0	16.60
	-5.0	-5.6	54.6	17.79	53.6	19.83	50.4	18.37	48.8	17.66	47.2	16.95	44.0	15.57
	-3.0	-3.7	56.8	17.89	53.6	18.67	50.4	17.29	48.8	16.71	47.2	15.98	44.0	14.70
	0.0	-0.7	56.8	18.20	53.6	16.95	50.4	15.74	48.8	15.16	47.2	14.55	44.0	13.41
	3.0	2.2	56.8	16.58	53.6	15.46	50.4	14.38	48.8	13.84	47.2	13.32	44.0	12.29
	5.0	4.1	56.8	15.61	53.6	14.57	50.4	13.56	48.8	13.06	47.2	12.59	44.0	11.62
	7.0	6.0	56.8	14.70	53.6	13.78	50.4	12.81	48.8	12.35	47.2	11.90	44.0	11.00
	9.0	7.9	56.8	13.88	53.6	12.98	50.4	12.16	48.8	11.66	47.2	11.25	44.0	10.41
11.0	9.8	56.8	13.11	53.6	12.27	50.4	11.45	48.8	11.04	47.2	10.65	44.0	9.87	
13.0	11.8	56.8	12.35	53.6	11.58	50.4	10.82	48.8	10.43	47.2	10.07	44.0	9.34	
15.0	13.7	56.8	11.68	53.6	10.97	50.4	10.26	48.8	9.90	47.2	9.55	44.0	8.88	

Combination	Outdoor air temp.		Indoor air temperature. °CDB											
			16		18		20		21		22		24	
	°CDB	°CWB	TC	PI	TC	PI	TC	PI	TC	PI	TC	PI	TC	PI
70	-19.8	-20.0	39.6	18.45	39.4	18.89	39.4	19.34	39.4	19.55	39.4	19.79	38.4	19.58
	-18.8	-19.0	40.2	18.61	40.2	19.04	40.0	19.47	40.0	19.68	40.0	19.92	38.4	19.17
	-16.7	-17.0	41.8	18.91	41.8	19.34	41.6	19.75	41.6	19.96	41.2	19.94	38.4	18.28
	-13.7	-15.0	43.6	19.23	43.4	19.64	43.4	20.05	42.6	19.22	41.2	18.95	38.4	17.38
	-11.8	-13.0	45.4	19.55	45.4	19.94	44.2	19.47	42.6	18.71	41.2	17.96	38.4	16.47
	-9.8	-11.0	47.6	19.88	47.0	19.86	44.2	18.39	42.6	17.68	41.2	16.97	38.4	15.59
	-9.5	-10.0	48.8	20.05	47.0	19.27	44.2	17.85	42.6	17.16	41.2	16.49	38.4	15.16
	-8.5	-9.1	49.8	20.16	47.0	18.76	44.2	17.38	42.6	16.71	41.2	16.06	38.4	14.77
	-7.0	-7.6	49.8	19.25	47.0	17.92	44.2	16.62	42.6	16.00	41.2	15.37	38.4	14.14
	-5.0	-5.6	49.8	18.09	47.0	16.86	44.2	15.65	42.6	15.05	41.2	14.47	38.4	13.35
	-3.0	-3.7	49.8	17.03	47.0	15.89	44.2	14.77	42.6	14.21	41.2	13.67	38.4	12.61
	0.0	-0.7	49.8	15.50	47.0	14.55	44.2	13.47	42.6	12.98	41.2	12.50	38.4	11.56
	3.0	2.2	49.8	14.16	47.0	13.32	44.2	12.35	42.6	11.90	41.2	11.47	38.4	10.61
	5.0	4.1	49.8	13.37	47.0	12.50	44.2	11.68	42.6	11.25	41.2	10.87	38.4	10.05
	7.0	6.0	49.8	12.63	47.0	11.84	44.2	11.04	42.6	10.65	41.2	10.28	38.4	9.53
	9.0	7.9	49.8	11.94	47.0	11.19	44.2	10.46	42.6	10.09	41.2	9.74	38.4	9.03
11.0	9.8	49.8	11.30	47.0	10.59	44.2	9.92	42.6	9.57	41.2	9.25	38.4	8.58	
13.0	11.8	49.8	10.67	47.0	10.02	44.2	9.38	42.6	9.08	41.2	8.75	38.4	8.15	
15.0	13.7	49.8	10.11	47.0	9.51	44.2	8.90	42.6	8.62	41.2	8.32	38.4	7.76	

GMV5 DC Inverter VRF Units Technical Sales Guide

Combination	Outdoor air temp.		Indoor air temperature. °CDB											
			16		18		20		21		22		24	
	°CDB	°CWB	TC	PI	TC	PI	TC	PI	TC	PI	TC	PI	TC	PI
			kW	kW	kW	kW	kW	kW	kW	kW	kW	kW	kW	kW
60	-19.8	-20.0	39.4	19.58	39.2	19.94	37.8	19.19	36.6	18.43	35.4	17.70	33.0	16.23
	-18.8	-19.0	40.0	19.70	40.0	20.07	37.8	18.78	36.6	18.04	35.4	17.31	33.0	15.89
	-16.7	-17.0	41.6	19.96	40.2	19.34	37.8	17.92	36.6	17.23	35.4	16.54	33.0	15.20
	-13.7	-15.0	42.6	19.75	40.2	18.37	37.8	17.03	36.6	16.38	35.4	15.74	33.0	14.47
	-11.8	-13.0	42.6	18.69	40.2	17.40	37.8	16.15	36.6	15.54	35.4	14.94	33.0	13.75
	-9.8	-11.0	42.6	17.66	40.2	16.45	37.8	15.29	36.6	14.70	35.4	14.14	33.0	13.04
	-9.5	-10.0	42.6	17.16	40.2	16.00	37.8	14.85	36.6	14.32	35.4	13.75	33.0	12.68
	-8.5	-9.1	42.6	16.71	40.2	15.59	37.8	14.49	36.6	13.95	35.4	13.41	33.0	12.37
	-7.0	-7.6	42.6	15.98	40.2	14.92	37.8	13.86	36.6	13.37	35.4	12.85	33.0	11.88
	-5.0	-5.6	42.6	15.05	40.2	14.06	37.8	13.09	36.6	12.61	35.4	12.14	33.0	11.23
	-3.0	-3.7	42.6	14.21	40.2	13.28	37.8	12.42	36.6	11.94	35.4	11.49	33.0	10.63
	0.0	-0.7	42.6	12.98	40.2	12.16	37.8	11.34	36.6	10.95	35.4	10.54	33.0	9.77
	3.0	2.2	42.6	11.90	40.2	11.17	37.8	10.43	36.6	10.07	35.4	9.72	33.0	0.39
	5.0	4.1	42.6	11.25	40.2	10.56	37.8	9.87	36.6	9.55	35.4	9.21	33.0	8.56
	7.0	6.0	42.6	10.65	40.2	10.00	37.8	9.36	36.6	9.05	35.4	8.75	33.0	8.13
	9.0	7.9	42.6	10.09	40.2	9.49	37.8	8.88	36.6	8.60	35.4	8.30	33.0	7.74
11.0	9.8	42.6	9.57	40.2	9.01	37.8	8.45	36.6	8.17	35.4	7.89	33.0	7.37	
13.0	11.8	42.6	9.05	40.2	8.54	37.8	8.02	36.6	7.76	35.4	7.50	33.0	7.01	
15.0	13.7	42.6	8.62	40.2	8.11	37.8	7.63	36.6	7.39	35.4	7.16	33.0	6.68	

Combination	Outdoor air temp.		Indoor air temperature. °CDB											
			16		18		20		21		22		24	
	°CDB	°CWB	TC	PI	TC	PI	TC	PI	TC	PI	TC	PI	TC	PI
			kW	kW	kW	kW	kW	kW	kW	kW	kW	kW	kW	kW
50	-19.8	-20.0	35.6	17.81	33.6	16.58	31.6	15.39	30.4	14.83	29.4	14.25	27.4	13.13
	-18.8	-19.0	35.6	17.42	33.6	16.23	31.6	15.09	30.4	14.51	29.4	13.95	27.4	12.87
	-16.7	-17.0	35.6	16.62	33.6	15.50	31.6	14.42	30.4	13.88	29.4	13.37	27.4	12.33
	-13.7	-15.0	35.6	15.82	33.6	14.77	31.6	13.73	30.4	13.24	29.4	12.74	27.4	11.77
	-11.8	-13.0	35.6	15.03	33.6	14.06	31.6	13.06	30.4	12.59	29.4	12.12	27.4	11.21
	-9.8	-11.0	35.6	14.23	33.6	13.30	31.6	12.40	30.4	11.94	29.4	11.51	27.4	10.65
	-9.5	-10.0	35.6	13.84	33.6	12.94	31.6	12.07	30.4	11.64	29.4	11.21	27.4	10.37
	-8.5	-9.1	35.6	13.50	33.6	12.63	31.6	11.77	30.4	11.36	29.4	10.95	27.4	10.13
	-7.0	-7.6	35.6	12.94	33.6	12.16	31.6	11.30	30.4	10.91	29.4	10.52	27.4	9.74
	-5.0	-5.6	35.6	12.20	33.6	11.45	31.6	10.69	30.4	10.33	29.4	9.96	27.4	9.23
	-3.0	-3.7	35.6	11.56	33.6	10.84	31.6	10.13	30.4	9.79	29.4	9.44	27.4	8.77
	0.0	-0.7	35.6	10.61	33.6	9.96	31.6	9.34	30.4	9.01	29.4	8.71	27.4	8.11
	3.0	2.2	35.6	9.77	33.6	9.18	31.6	8.60	30.4	8.32	29.4	8.06	27.4	7.50
	5.0	4.1	35.6	9.27	33.6	8.71	31.6	8.17	30.4	7.91	29.4	7.65	27.4	7.14
	7.0	6.0	35.6	8.80	33.6	8.28	31.6	7.78	30.4	7.52	29.4	7.29	27.4	6.81
	9.0	7.9	35.6	8.34	33.6	7.87	31.6	7.39	30.4	7.18	29.4	6.94	27.4	6.49
11.0	9.8	35.6	7.93	33.6	7.48	31.6	7.05	30.4	6.83	29.4	6.62	27.4	6.19	
13.0	11.8	35.6	7.55	33.6	7.11	31.6	6.70	30.4	6.51	29.4	6.30	27.4	5.91	
15.0	13.7	35.6	7.18	33.6	6.79	31.6	6.40	30.4	6.21	29.4	6.01	27.4	5.63	

GMV-615WM/B-X

TC—Total capacity of outdoor unit; PI—Power input of outdoor unit

Combination	Outdoor air temp.		Indoor air temperature. °CDB											
			16		18		20		21		22		24	
	°CDB	°CWB	TC	PI	TC	PI	TC	PI	TC	PI	TC	PI	TC	PI
130	-19.8	-20.0	44.7	13.35	44.5	14.29	44.2	15.24	44.2	15.71	44.0	16.18	44.0	17.13
	-18.8	-19.0	45.3	13.65	45.1	14.58	45.1	15.51	44.9	15.98	44.9	16.42	44.7	17.35
	-16.7	-17.0	47.1	14.29	46.9	15.17	46.7	16.08	46.7	16.45	46.7	16.96	46.4	17.87
	-13.7	-15.0	49.1	14.95	48.8	15.81	48.6	16.67	48.6	17.08	48.4	17.53	48.4	18.38
	-11.8	-13.0	51.0	15.61	51.0	16.45	50.8	17.26	50.6	17.67	50.6	18.09	50.4	18.90
	-9.8	-11.0	53.4	16.30	53.2	17.08	53.0	17.87	53.0	18.26	53.0	18.65	52.8	19.44
	-9.5	-10.0	54.8	16.64	54.5	17.40	54.3	18.16	54.3	18.56	54.1	18.92	54.1	19.69
	-8.5	-9.1	55.9	16.94	55.6	17.67	55.6	18.43	55.4	18.80	55.4	19.17	55.2	19.93
	-7.0	-7.6	57.8	17.43	57.8	18.16	57.6	18.88	57.6	19.24	57.4	19.59	57.2	20.32
	-5.0	-5.6	60.9	18.09	60.7	18.41	60.5	19.46	60.5	19.81	60.2	20.13	60.2	20.82
	-3.0	-3.7	63.7	18.68	63.5	19.34	63.5	19.98	63.3	20.32	63.3	20.64	63.1	21.28
	0.0	-0.7	68.8	19.59	68.8	20.20	68.6	20.79	68.6	21.09	68.3	21.40	68.3	21.99
	3.0	2.2	74.3	20.40	74.0	20.96	73.8	21.53	73.8	21.80	73.8	22.09	73.6	22.63
	5.0	4.1	78.0	20.91	77.8	21.45	77.8	21.97	77.5	22.24	77.5	22.51	77.3	23.02
	7.0	6.0	81.9	21.40	81.7	21.90	81.7	22.41	81.5	20.20	81.5	22.90	78.2	21.99
	9.0	7.9	86.1	21.85	85.9	22.34	85.9	22.80	85.6	23.05	83.9	22.58	78.2	20.67
11.0	9.8	90.5	22.29	90.2	22.73	89.8	23.02	86.7	22.12	83.9	21.21	78.2	19.46	
13.0	11.8	95.3	22.71	95.1	23.15	89.8	21.58	86.7	20.72	83.9	19.91	78.2	18.26	
15.0	13.7	99.9	23.10	95.5	21.92	89.8	20.32	86.7	19.54	83.9	18.75	78.2	17.23	

Combination	Outdoor air temp.		Indoor air temperature. °CDB											
			16		18		20		21		22		24	
	°CDB	°CWB	TC	PI	TC	PI	TC	PI	TC	PI	TC	PI	TC	PI
120	-19.8	-20.0	44.5	14.63	44.2	15.49	44.0	16.37	44.0	16.79	44.0	17.23	43.8	18.11
	-18.8	-19.0	45.1	14.90	44.9	15.76	44.9	16.45	44.7	17.03	44.7	17.48	44.5	18.34
	-16.7	-17.0	46.9	15.49	46.7	16.32	46.7	17.13	46.4	17.55	46.4	17.97	46.2	18.78
	-13.7	-15.0	48.8	16.10	48.6	16.89	48.4	17.67	48.4	18.09	48.4	18.48	48.2	19.27
	-11.8	-13.0	50.8	16.72	50.8	17.48	50.6	18.24	50.6	18.63	50.4	19.00	50.4	19.76
	-9.8	-11.0	53.2	17.35	53.0	18.07	53.0	18.80	52.8	19.17	52.8	19.51	52.6	20.27
	-9.5	-10.0	54.5	17.67	54.3	18.38	54.1	19.07	54.1	19.44	54.1	19.64	53.9	20.50
	-8.5	-9.1	55.6	17.94	55.4	18.63	55.4	19.32	55.2	19.66	55.2	20.03	55.0	20.72
	-7.0	-7.6	57.6	18.41	57.6	19.07	57.4	19.73	57.4	20.08	57.2	20.40	57.2	21.06
	-5.0	-5.6	60.7	19.00	60.5	19.64	60.2	20.27	60.2	20.59	60.2	20.91	60.0	21.53
	-3.0	-3.7	63.5	19.56	63.5	20.18	63.3	20.77	63.3	21.06	63.1	21.38	63.1	21.97
	0.0	-0.7	68.6	20.40	68.6	20.96	68.3	21.77	68.3	21.80	68.1	22.07	68.1	22.63
	3.0	2.2	74.0	21.16	73.8	21.67	73.8	22.19	73.6	22.46	73.6	22.71	72.1	22.58
	5.0	4.1	77.8	21.63	77.5	22.12	77.5	22.61	77.3	22.85	77.3	23.10	72.1	21.21
	7.0	6.0	81.7	22.07	81.7	22.53	81.5	23.00	80.2	22.68	77.5	21.75	72.1	19.96
	9.0	7.9	85.9	22.51	85.6	22.95	82.8	22.19	80.2	21.31	77.5	20.45	72.1	18.78
11.0	9.8	90.2	22.90	88.1	22.51	82.8	20.86	80.2	20.05	77.5	19.24	72.1	17.70	
13.0	11.8	93.5	22.68	88.1	21.11	82.8	19.56	80.2	18.83	77.5	18.09	72.1	16.64	
15.0	13.7	93.5	21.36	88.1	19.88	82.8	18.46	80.2	17.75	77.5	17.06	72.1	15.71	

GMV5 DC Inverter VRF Units Technical Sales Guide

Combination	Outdoor air temp.		Indoor air temperature. °CDB											
			16		18		20		21		22		24	
	°CDB	°CWB	TC	PI	TC	PI	TC	PI	TC	PI	TC	PI	TC	PI
			kW	kW	kW	kW	kW	kW	kW	kW	kW	kW	kW	kW
110	-19.8	-20.0	44.2	15.91	44.0	16.69	43.8	17.50	43.8	17.89	43.8	18.29	43.6	19.10
	-18.8	-19.0	44.9	16.15	44.9	16.94	482.8	17.72	44.7	18.11	44.5	18.51	44.5	19.29
	-16.7	-17.0	46.7	16.69	46.4	17.45	46.4	18.21	46.2	18.58	46.2	18.97	46.0	19.71
	-13.7	-15.0	48.6	17.26	48.4	17.99	48.2	18.70	48.2	19.07	48.2	19.44	48.0	20.15
	-11.8	-13.0	50.6	17.84	50.6	18.53	50.4	19.22	50.4	19.56	50.2	19.91	50.2	20.62
	-9.8	-11.0	53.0	18.41	52.8	19.07	52.8	19.73	52.6	20.08	52.6	20.40	52.6	21.06
	-9.5	-10.0	54.3	18.70	54.1	19.34	53.9	20.00	53.9	20.32	53.9	20.64	53.7	21.28
	-8.5	-9.1	55.4	18.95	55.2	19.59	55.2	20.23	55.2	20.55	55.0	20.86	55.0	21.48
	-7.0	-7.6	57.4	19.39	57.4	19.98	57.2	20.59	57.2	20.91	57.8	21.21	57.0	21.82
	-5.0	-5.6	60.5	19.93	60.2	20.52	60.0	21.09	60.0	21.38	62.9	21.67	59.8	22.26
	-3.0	-3.7	63.3	20.45	63.3	20.99	63.1	21.55	63.1	21.82	68.1	22.09	62.9	22.66
	0.0	-0.7	68.3	21.21	68.3	21.72	68.1	22.24	68.1	22.48	71.0	22.75	66.2	22.31
	3.0	2.2	73.8	21.92	73.6	22.39	73.6	22.85	73.4	23.07	71.0	22.14	66.2	20.30
	5.0	4.1	77.5	22.34	77.5	22.80	76.0	22.58	73.4	21.67	71.0	20.82	66.2	19.10
	7.0	6.0	81.5	22.75	80.8	22.90	76.0	21.21	73.4	20.37	71.0	19.56	66.2	17.97
	9.0	7.9	85.6	23.12	80.8	21.53	76.0	19.96	73.4	19.17	71.0	18.41	66.2	16.94
11.0	9.8	85.6	21.75	80.8	20.25	76.0	18.78	73.4	18.07	71.0	17.35	66.2	15.98	
13.0	11.8	85.6	20.40	80.8	19.00	76.0	17.65	73.4	16.99	71.0	16.32	66.2	15.05	
15.0	13.7	85.6	19.22	80.8	17.92	76.0	16.67	73.4	16.03	71.0	15.44	66.2	14.24	

Combination	Outdoor air temp.		Indoor air temperature. °CDB											
			16		18		20		21		22		24	
	°CDB	°CWB	TC	PI	TC	PI	TC	PI	TC	PI	TC	PI	TC	PI
			kW	kW	kW	kW	kW	kW	kW	kW	kW	kW	kW	kW
100	-19.8	-20.0	44.0	17.18	43.8	17.89	43.8	18.63	43.6	19.00	43.6	19.34	43.4	20.08
	-18.8	-19.0	44.7	17.40	44.7	18.11	44.5	18.83	44.5	19.19	44.2	19.56	44.2	20.27
	-16.7	-17.0	46.4	17.89	46.2	18.58	46.2	19.27	46.2	19.61	46.0	19.96	46.0	20.64
	-13.7	-15.0	48.4	18.41	48.2	19.07	48.2	19.73	48.0	20.08	48.0	20.40	47.8	21.06
	-11.8	-13.0	50.4	18.95	50.4	19.56	50.2	20.20	50.2	20.52	50.2	20.10	49.9	21.48
	-9.8	-11.0	52.8	19.46	52.6	20.08	52.6	20.67	52.6	20.99	52.4	21.28	52.4	21.87
	-9.5	-10.0	54.1	19.73	53.9	20.32	53.9	20.91	53.7	21.21	53.7	21.50	53.4	22.09
	-8.5	-9.1	55.2	19.96	55.2	20.55	55.0	21.11	55.0	21.40	54.8	21.70	54.8	22.26
	-7.0	-7.6	57.2	20.35	57.2	20.91	57.0	21.45	57.0	21.75	57.0	22.02	56.7	22.58
	-5.0	-5.6	60.2	20.86	60.0	21.38	60.0	21.92	59.8	22.19	59.8	22.44	59.8	22.98
	-3.0	-3.7	63.1	21.33	63.1	21.82	62.9	22.34	62.9	22.58	62.9	22.83	60.2	21.87
	0.0	-0.7	68.1	22.04	68.1	22.48	67.9	22.95	66.8	22.58	64.6	21.65	60.2	19.88
	3.0	2.2	73.6	22.66	73.4	23.07	69.0	21.36	66.8	20.52	64.6	19.71	60.2	18.09
	5.0	4.1	77.3	23.07	73.4	21.67	69.0	20.08	66.8	19.32	64.6	18.56	60.2	17.06
	7.0	6.0	77.8	21.90	73.4	20.37	69.0	18.90	66.8	18.19	64.6	17.48	60.2	16.08
	9.0	7.9	77.8	20.57	73.4	19.17	69.0	17.80	66.8	17.13	64.6	16.47	60.2	15.17
11.0	9.8	77.8	19.37	73.4	18.07	69.0	16.79	66.8	16.15	64.6	15.54	60.2	14.33	
13.0	11.8	77.8	18.19	73.4	16.99	69.0	15.81	66.8	15.22	64.6	14.65	60.2	13.52	
15.0	13.7	77.8	17.16	73.4	16.03	69.0	14.92	66.8	14.38	64.6	13.84	60.2	12.81	

Combination	Outdoor air temp.		Indoor air temperature. °CDB											
			16		18		20		21		22		24	
	°CDB	°CWB	TC	PI	TC	PI	TC	PI	TC	PI	TC	PI	TC	PI
90	-19.8	-20.0	43.8	18.46	43.6	19.10	43.6	19.76	43.4	20.08	43.4	20.42	43.4	21.06
	-18.8	-19.0	44.5	18.65	44.5	19.32	44.2	19.96	44.2	20.27	44.2	20.59	44.0	21.23
	-16.7	-17.0	46.2	19.12	46.0	19.73	46.0	20.35	46.0	20.67	45.8	20.96	45.8	21.58
	-13.7	-15.0	48.2	19.59	48.0	20.18	48.0	20.77	47.8	20.86	47.8	21.36	47.8	21.94
	-11.8	-13.0	50.2	20.05	50.2	20.62	49.9	21.18	49.9	21.48	49.9	21.75	49.7	22.31
	-9.8	-11.0	52.6	20.52	52.6	21.06	52.4	21.60	52.4	21.90	52.4	22.17	52.1	22.71
	-9.5	-10.0	53.9	20.77	53.7	21.31	53.7	21.82	53.4	22.09	53.4	22.36	53.4	22.88
	-8.5	-9.1	55.0	20.99	55.0	21.50	54.8	22.02	54.8	22.26	54.8	22.53	54.1	22.75
	-7.0	-7.6	57.0	21.33	57.0	21.82	56.7	22.34	56.7	22.58	56.7	22.83	54.1	21.72
	-5.0	-5.6	60.0	21.80	59.8	22.26	59.8	22.73	59.8	22.98	58.0	22.26	54.1	20.42
	-3.0	-3.7	62.9	22.21	62.9	20.20	62.2	22.75	60.0	21.85	58.0	20.96	54.1	19.24
	0.0	-0.7	68.1	22.85	66.2	19.83	62.2	20.64	60.0	19.83	58.0	19.05	54.1	17.50
	3.0	2.2	70.1	21.77	66.2	20.27	62.2	18.80	60.0	18.09	58.0	17.38	54.1	16.00
	5.0	4.1	70.1	20.47	66.2	19.07	62.2	17.72	60.0	17.03	58.0	16.40	54.1	15.10
	7.0	6.0	70.1	19.24	66.2	17.97	62.2	16.69	60.0	16.08	58.0	15.46	54.1	14.26
	9.0	7.9	70.1	18.14	66.2	16.91	62.2	15.73	60.0	15.17	58.0	14.60	54.1	13.48
	11.0	9.8	70.1	17.08	66.2	15.95	62.2	14.87	60.0	14.33	58.0	13.79	54.1	12.76
13.0	11.8	70.1	16.08	66.2	15.05	62.2	14.02	60.0	13.52	58.0	13.03	54.1	12.05	
15.0	13.7	70.1	15.19	66.2	14.21	62.2	13.28	60.0	12.76	58.0	12.35	54.1	11.44	

Combination	Outdoor air temp.		Indoor air temperature. °CDB											
			16		18		20		21		22		24	
	°CDB	°CWB	TC	PI	TC	PI	TC	PI	TC	PI	TC	PI	TC	PI
80	-19.8	-20.0	43.6	19.73	43.4	20.30	43.4	20.89	43.4	21.18	43.2	21.48	43.2	22.04
	-18.8	-19.0	44.2	19.91	44.2	20.50	44.0	21.06	44.0	21.36	44.0	21.63	43.8	22.21
	-16.7	-17.0	46.0	20.32	45.8	20.86	45.8	21.43	45.8	21.70	45.8	21.97	45.6	22.51
	-13.7	-15.0	48.0	20.74	47.8	21.26	47.8	21.80	47.8	22.04	47.5	22.31	47.5	22.85
	-11.8	-13.0	49.9	21.16	49.9	21.67	49.7	22.17	49.7	22.41	49.7	22.68	48.2	22.07
	-9.8	-11.0	52.4	21.58	52.4	22.07	52.1	22.56	52.1	22.78	51.7	22.73	48.2	20.84
	-9.5	-10.0	53.7	21.80	53.4	22.26	53.4	22.73	53.4	22.98	51.7	22.07	48.2	20.23
	-8.5	-9.1	54.8	21.99	54.8	22.46	54.5	22.90	53.4	22.41	51.7	21.48	48.2	19.69
	-7.0	-7.6	56.7	22.31	56.7	22.75	55.2	22.26	53.4	21.38	51.7	20.52	48.2	18.90
	-5.0	-5.6	59.8	20.25	58.7	22.58	55.2	20.91	53.4	20.10	51.7	19.29	48.2	17.72
	-3.0	-3.7	62.2	20.37	58.7	21.26	55.2	19.69	53.4	19.02	51.7	18.19	48.2	16.74
	0.0	-0.7	62.2	20.72	58.7	19.29	55.2	17.92	53.4	17.26	51.7	16.57	48.2	15.27
	3.0	2.2	62.2	18.88	58.7	17.60	55.2	16.37	53.4	15.76	51.7	15.17	48.2	13.99
	5.0	4.1	62.2	17.77	58.7	16.59	55.2	15.44	53.4	14.87	51.7	14.33	48.2	13.23
	7.0	6.0	62.2	16.74	58.7	15.68	55.2	14.58	53.4	14.06	51.7	13.55	48.2	12.52
	9.0	7.9	62.2	15.81	58.7	14.78	55.2	13.84	53.4	13.28	51.7	12.81	48.2	11.86
	11.0	9.8	62.2	14.92	58.7	13.97	55.2	13.03	53.4	12.57	51.7	12.13	48.2	11.24
13.0	11.8	62.2	14.06	58.7	13.18	55.2	12.32	53.4	11.88	51.7	11.46	48.2	10.63	
15.0	13.7	62.2	13.30	58.7	12.49	55.2	11.68	53.4	11.27	51.7	10.87	48.2	10.11	

GMV5 DC Inverter VRF Units Technical Sales Guide

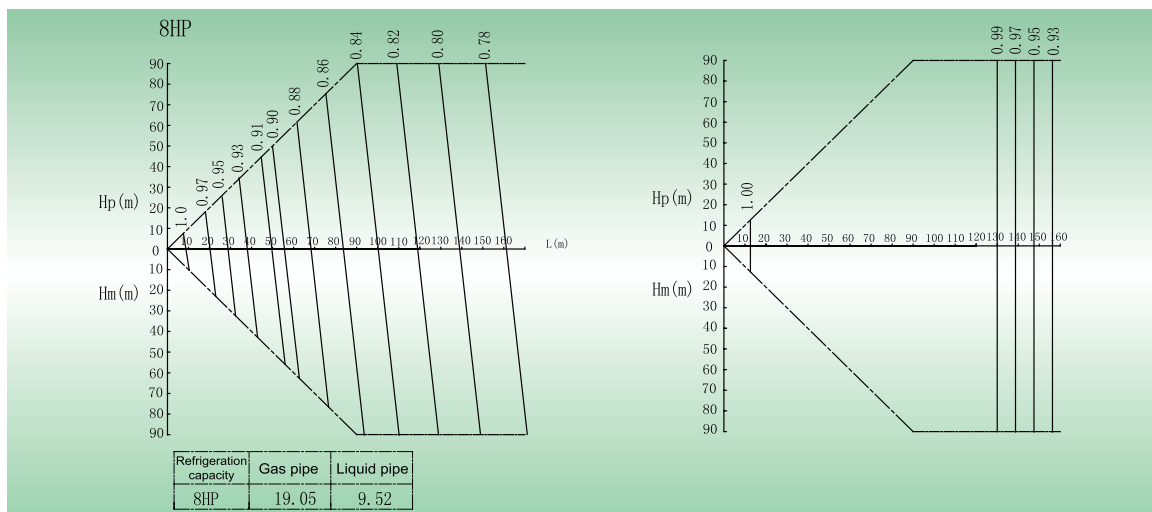
Combination	Outdoor air temp.		Indoor air temperature. °CDB											
			16		18		20		21		22		24	
	°CDB	°CWB	TC	PI	TC	PI	TC	PI	TC	PI	TC	PI	TC	PI
			kW	kW	kW	kW	kW	kW	kW	kW	kW	kW	kW	kW
70	-19.8	-20.0	43.4	21.01	43.2	21.50	43.2	22.02	43.2	22.26	43.2	22.53	42.1	22.29
	-18.8	-19.0	44.0	21.18	44.0	21.67	43.8	22.17	43.8	22.41	43.8	22.68	42.1	21.82
	-16.7	-17.0	45.8	21.53	45.8	22.02	45.6	22.48	45.6	22.73	45.1	22.71	42.1	20.82
	-13.7	-15.0	47.8	21.90	47.5	22.36	47.5	22.83	46.7	218.85	45.1	21.58	42.1	19.78
	-11.8	-13.0	49.7	22.26	49.7	22.71	48.4	22.17	46.7	21.31	45.1	20.45	42.1	18.75
	-9.8	-11.0	52.1	22.63	51.5	22.61	48.4	20.94	46.7	20.13	45.1	19.32	42.1	17.75
	-9.5	-10.0	53.4	22.83	51.5	21.94	48.4	20.32	46.7	19.54	45.1	18.78	42.1	17.26
	-8.5	-9.1	54.5	22.95	51.5	21.36	48.4	19.78	46.7	19.02	45.1	18.29	42.1	16.81
	-7.0	-7.6	54.5	21.92	51.5	20.40	48.4	18.92	46.7	18.21	45.1	17.50	42.1	16.10
	-5.0	-5.6	54.5	20.59	51.5	19.19	48.4	17.82	46.7	17.13	45.1	16.47	42.1	15.19
	-3.0	-3.7	54.5	19.39	51.5	18.09	48.4	16.81	46.7	16.18	45.1	15.56	42.1	14.36
	0.0	-0.7	54.5	17.65	51.5	16.57	48.4	15.34	46.7	14.78	45.1	14.24	42.1	13.16
	3.0	2.2	54.5	16.13	51.5	0.37	48.4	14.06	46.7	13.55	45.1	13.06	42.1	12.08
	5.0	4.1	54.5	15.22	51.5	14.24	48.4	13.30	46.7	12.81	45.1	12.37	42.1	11.44
	7.0	6.0	54.5	14.38	51.5	13.48	48.4	12.57	46.7	12.13	45.1	11.71	42.1	10.85
	9.0	7.9	54.5	13.60	51.5	12.74	48.4	11.90	46.7	11.49	45.1	11.09	42.1	10.28
11.0	9.8	54.5	12.86	51.5	12.05	48.4	11.29	46.7	10.90	45.1	10.53	42.1	9.77	
13.0	11.8	54.5	12.15	51.5	11.41	48.4	10.68	46.7	10.33	45.1	9.97	42.1	9.28	
15.0	13.7	54.5	11.51	51.5	10.82	48.4	10.14	46.7	9.82	45.1	9.47	42.1	8.84	

Combination	Outdoor air temp.		Indoor air temperature. °CDB											
			16		18		20		21		22		24	
	°CDB	°CWB	TC	PI	TC	PI	TC	PI	TC	PI	TC	PI	TC	PI
			kW	kW	kW	kW	kW	kW	kW	kW	kW	kW	kW	kW
60	-19.8	-20.0	43.2	22.29	42.9	22.71	41.4	21.85	40.1	20.99	38.8	20.15	36.1	18.48
	-18.8	-19.0	43.8	22.44	43.8	22.85	41.4	21.38	40.1	20.55	38.8	19.71	36.1	18.09
	-16.7	-17.0	45.6	22.73	44.0	22.02	41.4	20.40	40.1	19.61	38.8	18.83	36.1	17.30
	-13.7	-15.0	46.7	22.48	44.0	20.91	41.4	19.39	40.1	18.65	38.8	17.92	36.1	16.47
	-11.8	-13.0	46.7	21.28	44.0	19.81	41.4	18.38	40.1	17.70	38.8	17.01	36.1	15.66
	-9.8	-11.0	46.7	20.10	44.0	18.73	41.4	17.40	40.1	16.74	38.8	16.10	36.1	14.85
	-9.5	-10.0	46.7	19.54	44.0	18.21	41.4	16.91	40.1	16.30	38.8	15.66	36.1	14.43
	-8.5	-9.1	46.7	19.02	44.0	17.75	41.4	16.49	40.1	15.88	38.8	15.27	36.1	14.09
	-7.0	-7.6	46.7	18.19	44.0	16.99	41.4	15.78	40.1	15.22	38.8	14.63	36.1	13.52
	-5.0	-5.6	46.7	17.13	44.0	16.00	41.4	14.90	40.1	14.36	38.8	13.82	36.1	12.79
	-3.0	-3.7	46.7	16.18	44.0	15.12	41.4	14.14	40.1	13.60	38.8	13.08	36.1	12.10
	0.0	-0.7	46.7	14.78	44.0	13.84	41.4	12.91	40.1	12.47	38.8	12.00	36.1	11.12
	3.0	2.2	46.7	13.55	44.0	12.71	41.4	11.88	40.1	11.46	38.8	11.07	36.1	0.44
	5.0	4.1	46.7	12.81	44.0	12.03	41.4	11.24	40.1	10.87	38.8	10.48	36.1	9.74
	7.0	6.0	46.7	12.13	44.0	11.39	41.4	10.65	40.1	10.31	38.8	9.97	36.1	9.25
	9.0	7.9	46.7	11.49	44.0	10.80	41.4	10.11	40.1	9.79	38.8	9.45	36.1	8.81
11.0	9.8	46.7	10.90	44.0	10.26	41.4	9.62	40.1	9.30	38.8	8.98	36.1	8.39	
13.0	11.8	46.7	10.31	44.0	9.72	41.4	9.13	40.1	8.84	38.8	8.54	36.1	7.98	
15.0	13.7	46.7	9.82	44.0	9.23	41.4	8.69	40.1	8.42	38.8	8.15	36.1	7.61	

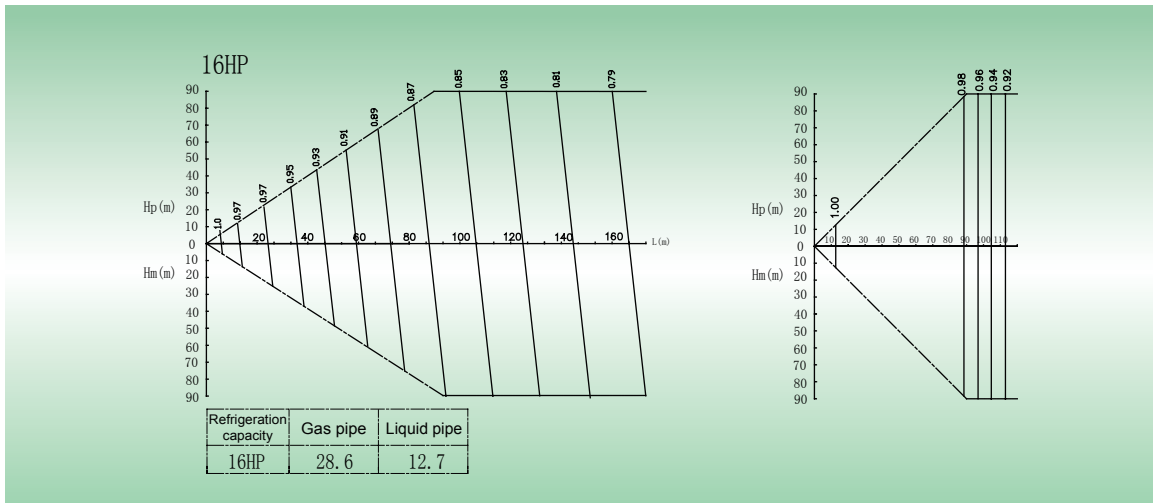
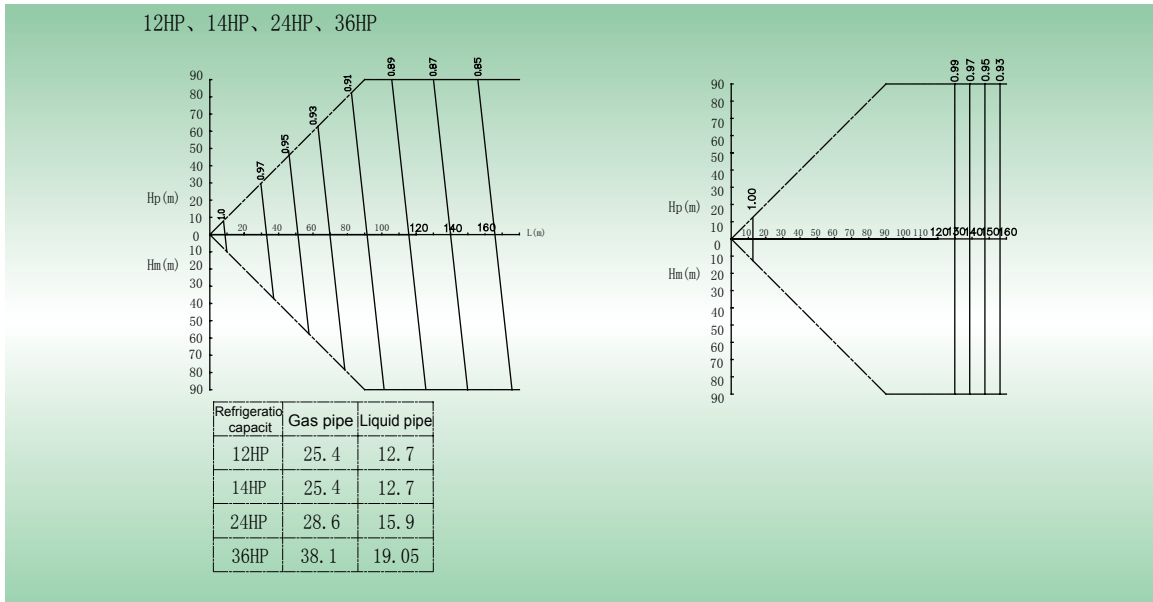
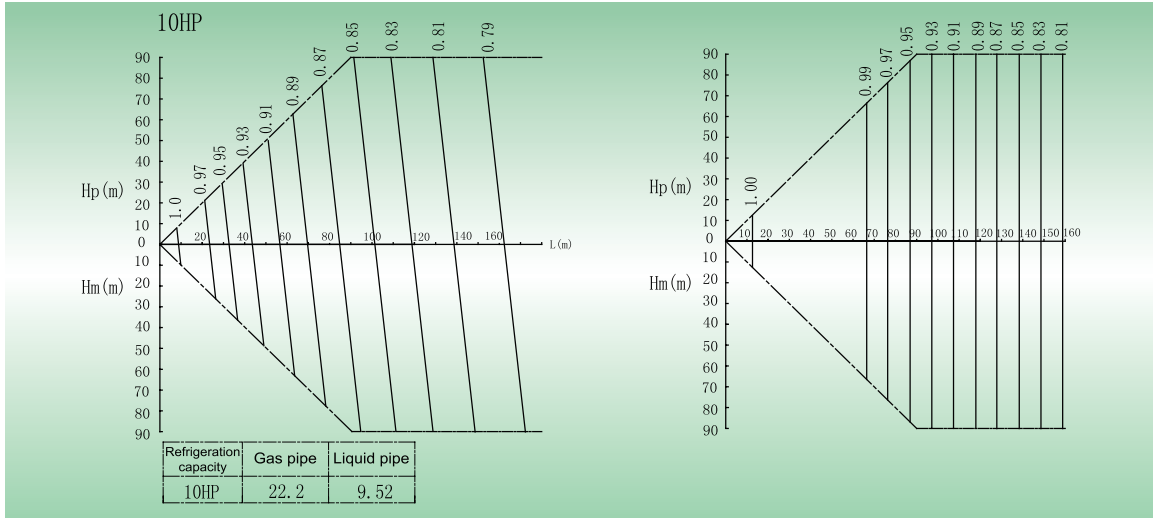
Combination	Outdoor air temp.		Indoor air temperature. °CDB											
			16		18		20		21		22		24	
	°CDB	°CWB	TC	PI	TC	PI	TC	PI	TC	PI	TC	PI	TC	PI
50	-19.8	-20.0	39.0	20.27	36.8	18.88	34.6	17.53	33.3	16.89	32.2	16.22	30.0	14.95
	-18.8	-19.0	39.0	19.83	36.8	18.48	34.6	17.18	33.3	16.52	32.2	15.88	30.0	14.65
	-16.7	-17.0	39.0	18.92	36.8	17.65	34.6	16.42	33.3	15.81	32.2	15.22	30.0	14.04
	-13.7	-15.0	39.0	18.02	36.8	16.81	34.6	15.64	33.3	15.07	32.2	14.51	30.0	13.40
	-11.8	-13.0	39.0	17.11	36.8	16.00	34.6	14.87	33.3	14.33	32.2	13.79	30.0	12.76
	-9.8	-11.0	39.0	16.20	36.8	15.14	34.6	14.11	33.3	13.60	32.2	13.11	30.0	12.13
	-9.5	-10.0	39.0	15.76	36.8	14.73	34.6	13.75	33.3	13.25	32.2	12.76	30.0	11.81
	-8.5	-9.1	39.0	15.37	36.8	14.38	34.6	13.40	33.3	12.94	32.2	12.47	30.0	11.54
	-7.0	-7.6	39.0	14.73	36.8	13.84	34.6	12.86	33.3	12.42	32.2	11.98	30.0	11.09
	-5.0	-5.6	39.0	13.89	36.8	13.03	34.6	12.17	33.3	11.76	32.2	11.34	30.0	10.51
	-3.0	-3.7	39.0	13.16	36.8	12.35	34.6	11.54	33.3	11.14	32.2	10.75	30.0	9.99
	0.0	-0.7	39.0	12.08	36.8	11.34	34.6	10.63	33.3	10.26	32.2	9.92	30.0	9.23
	3.0	2.2	39.0	11.12	36.8	10.46	34.6	9.79	33.3	9.47	32.2	9.18	30.0	8.54
	5.0	4.1	39.0	10.55	36.8	9.92	34.6	9.30	33.3	9.01	32.2	8.71	30.0	8.12
	7.0	6.0	39.0	10.01	36.8	9.43	34.6	8.86	33.3	8.57	32.2	8.30	30.0	7.76
	9.0	7.9	39.0	9.50	36.8	8.96	34.6	8.42	33.3	8.17	32.2	7.90	30.0	7.39
11.0	9.8	39.0	9.03	36.8	8.52	34.6	8.03	33.3	7.78	32.2	7.54	30.0	7.04	
13.0	11.8	39.0	8.59	36.8	8.10	34.6	7.63	33.3	7.41	32.2	7.17	30.0	6.73	
15.0	13.7	39.0	8.17	36.8	7.73	34.6	7.29	33.3	7.07	32.2	6.85	30.0	6.41	

6.2 Correction of Capacity Along with Piping Length and Height Drop

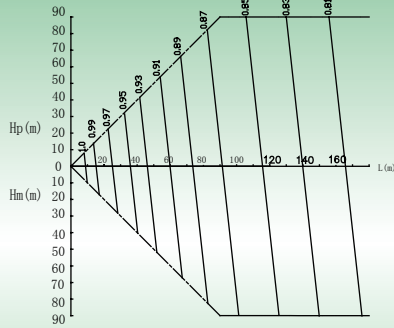
Pipe Diameter Unit: mm



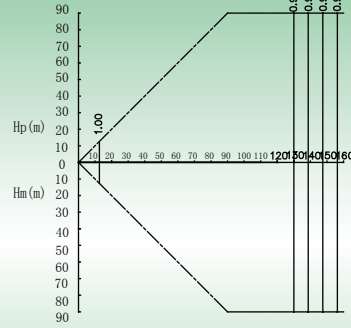
GMV5 DC Inverter VRF Units Technical Sales Guide



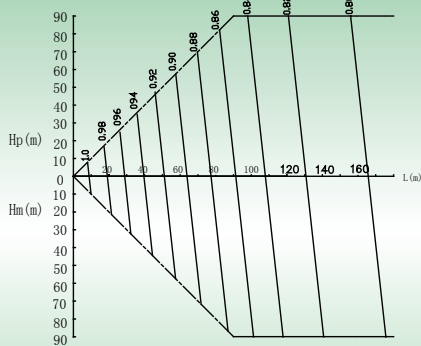
18、26-30、38-44HP



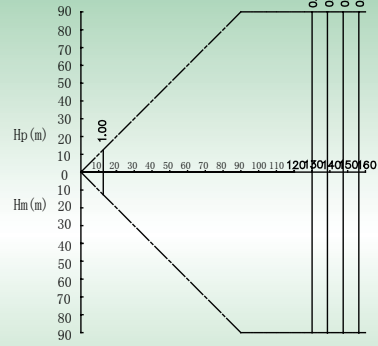
Refrigeratic capacity	Gas pipe	Liquid pipe
18-24HP	28.6	15.9
22-30HP	31.8	19.05
38-44HP	38.1	19.05



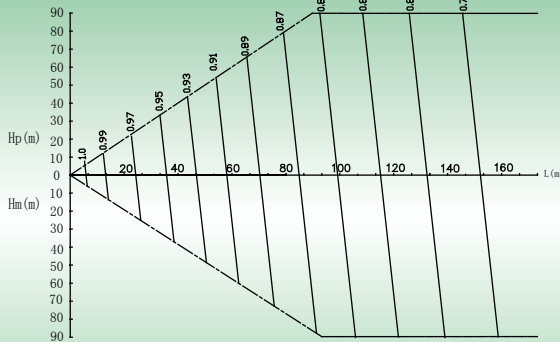
20、32-34HP



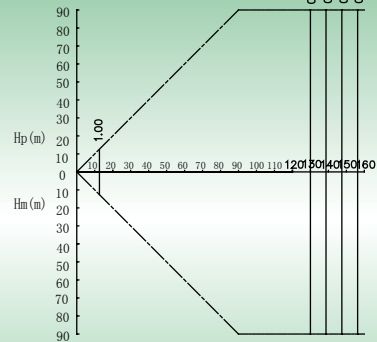
Refrigeratic capacity	Gas pipe	Liquid pipe
20HP	28.6	15.9
32-34HP	31.8	19.1



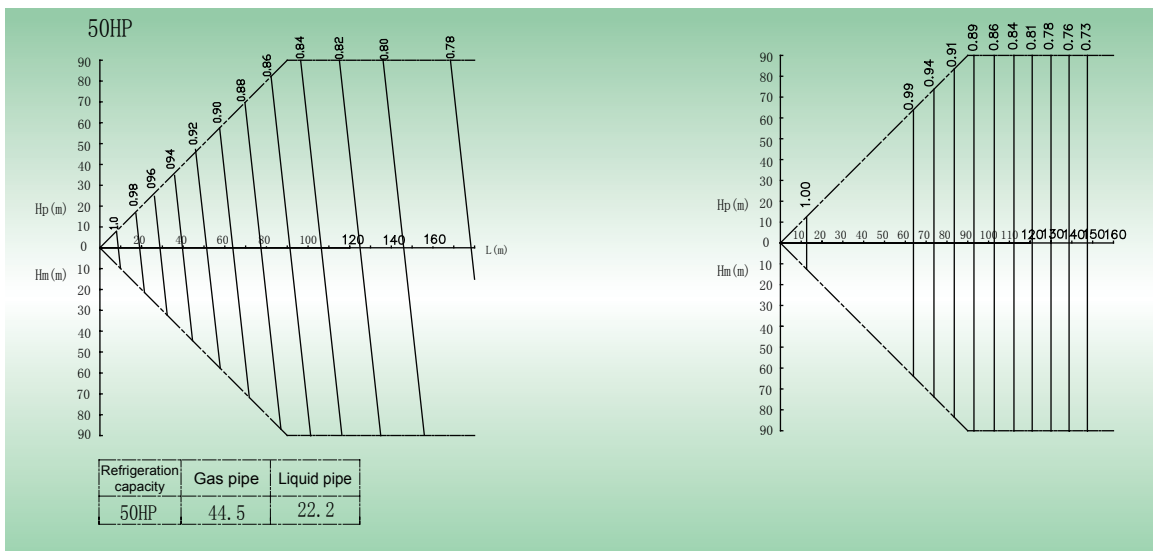
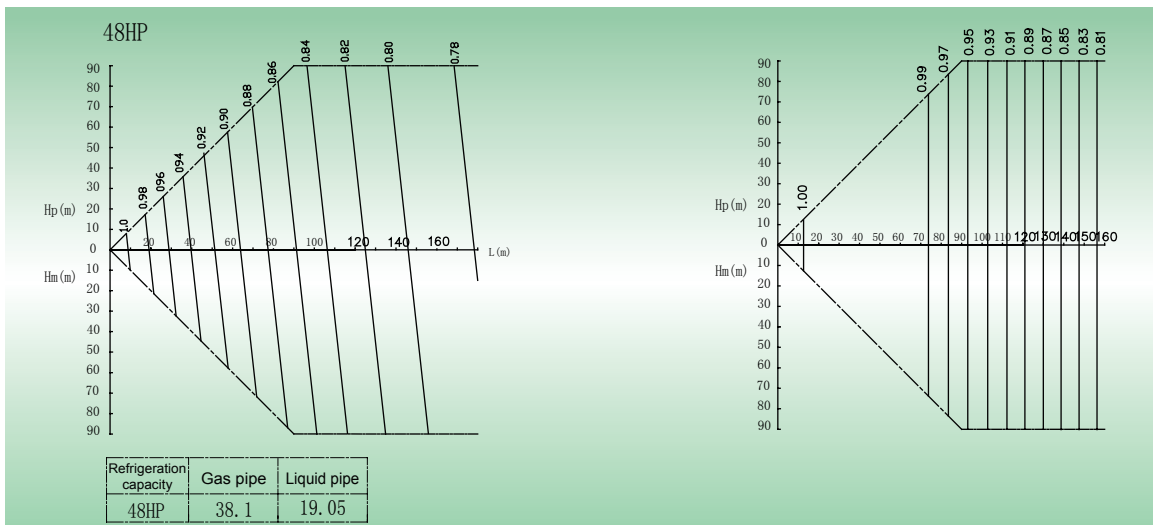
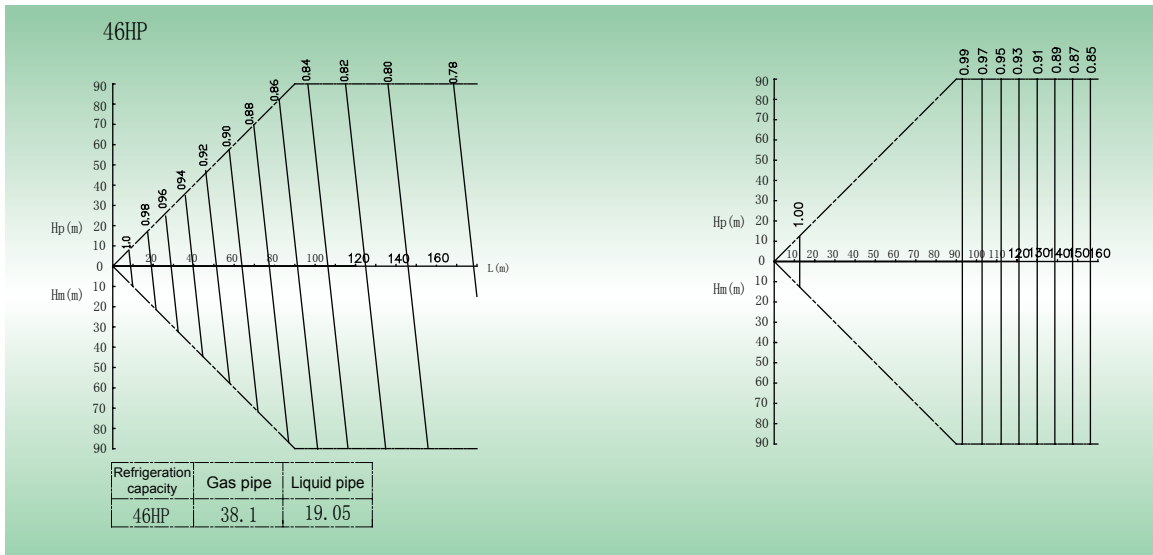
22HP

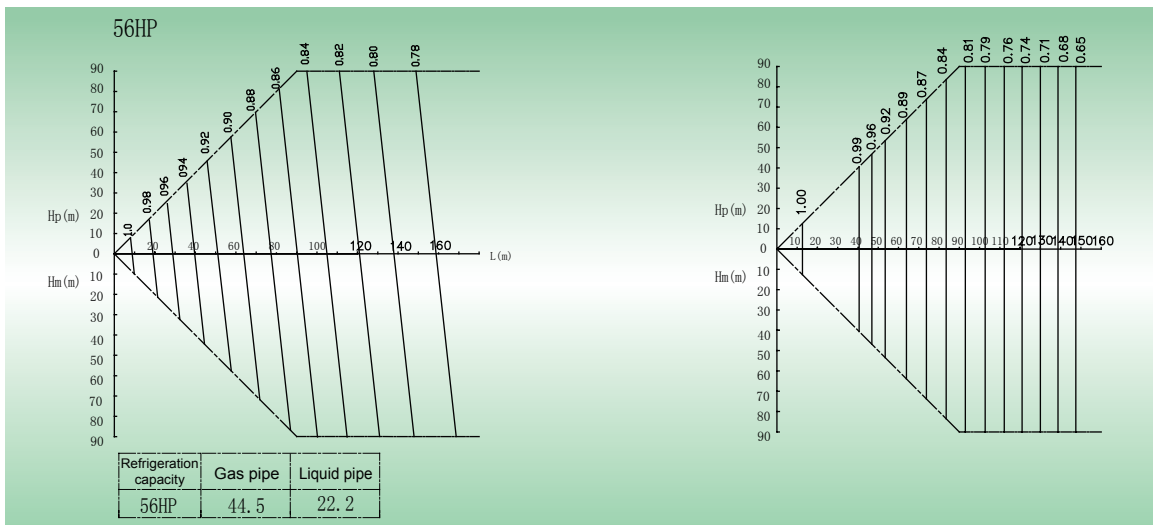
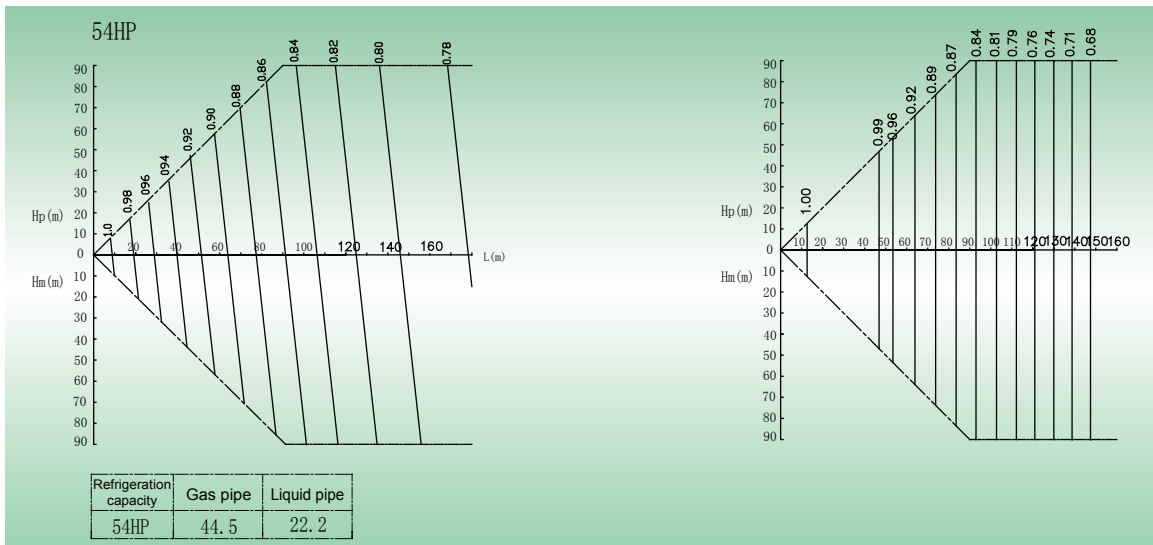
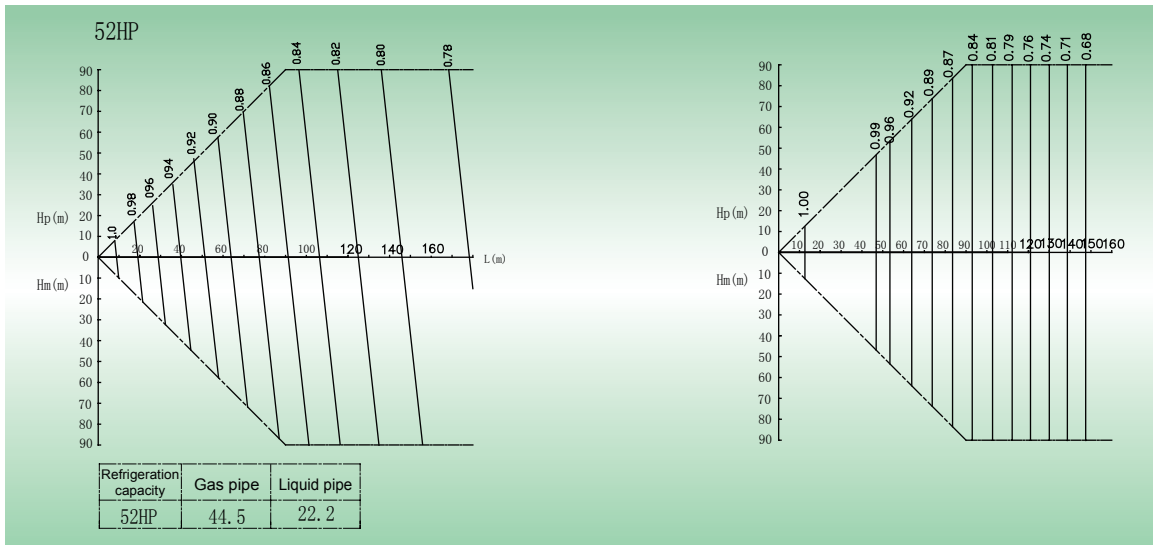


Refrigeration capacity	Gas pipe	Liquid pipe
22HP	28.6	15.9

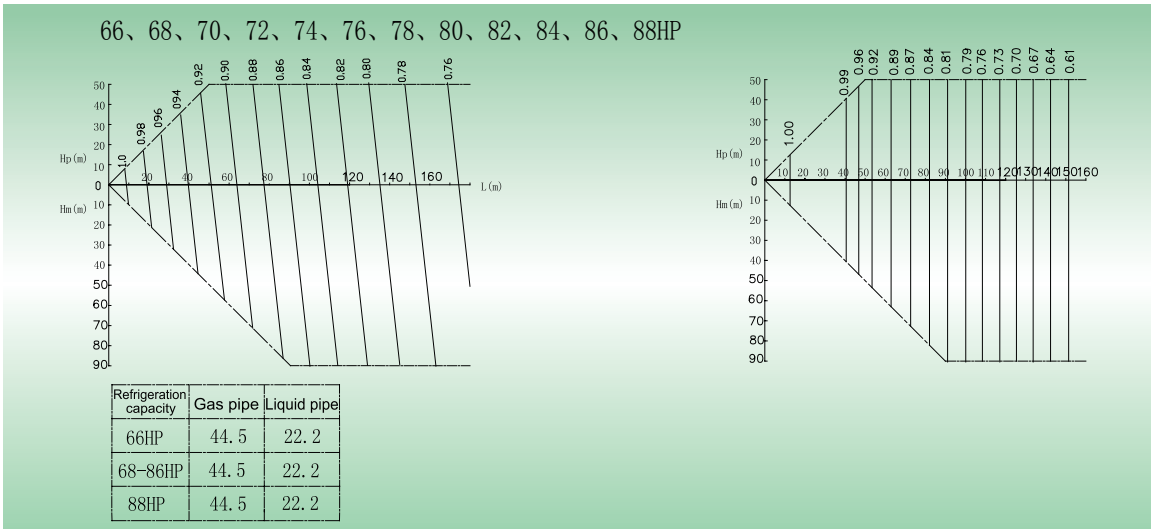
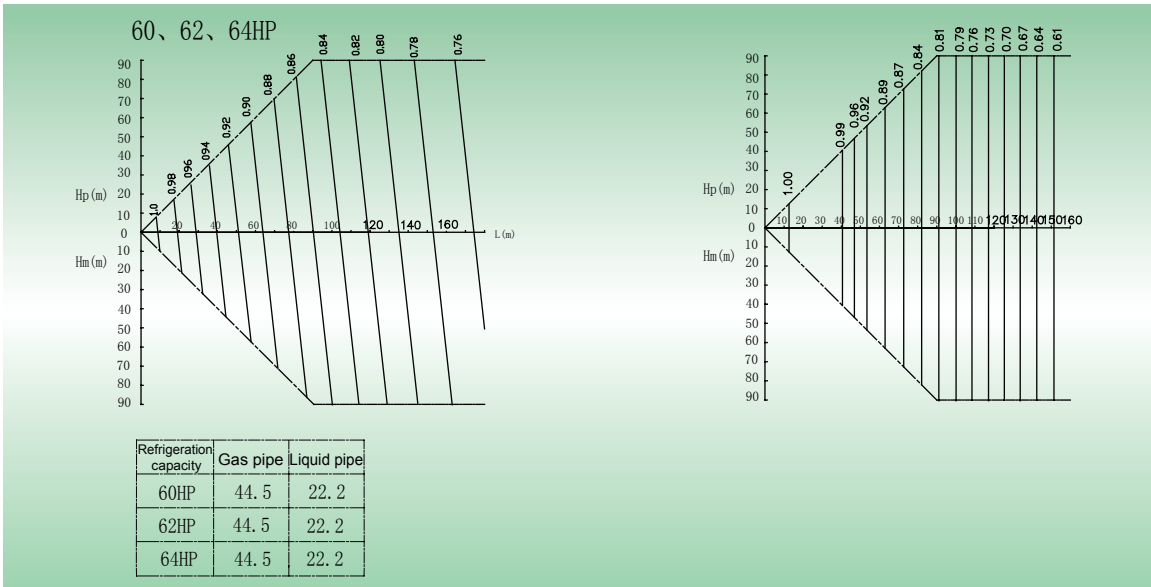
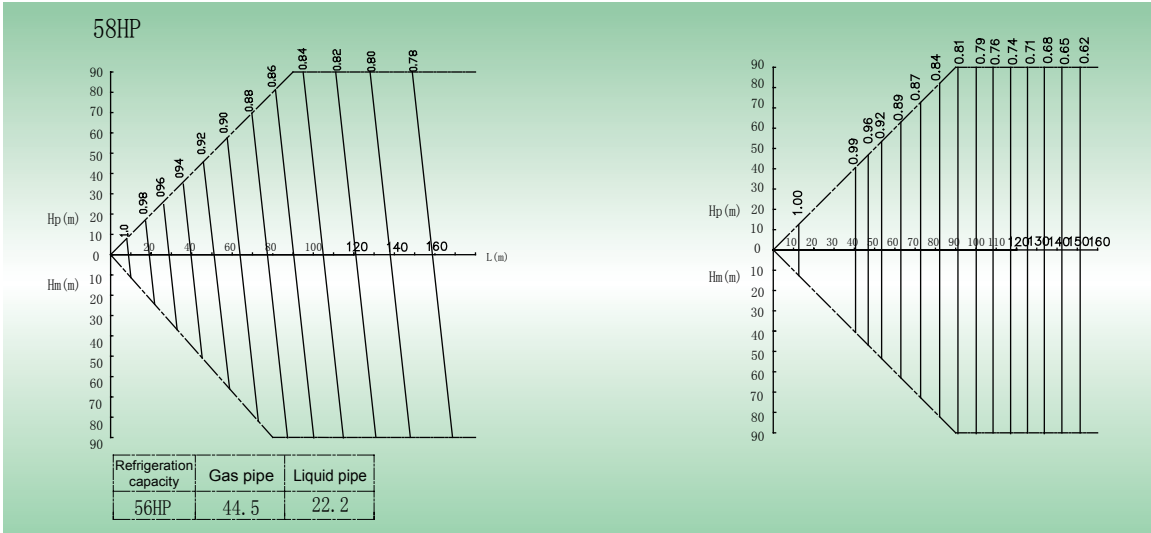


GMV5 DC Inverter VRF Units Technical Sales Guide





GMV5 DC Inverter VRF Units Technical Sales Guide



Notes for correction of the long connection pipe:

- a. The above connection of long connection pipe indicates the maximum capacity under the standard indoor unit capacity configuration.
- b. Set out below are some load configurations:
 Maximum system capacity: the smaller one of the indoor unit capacity and the maximum outdoor unit capacity (two algorithms are provided below)
 - ◆ When the configuration ratio of indoor unit is less than 100%
 Maximum outdoor unit capacity = Capacity when the configuration ratio is 100% in the outdoor unit capacity correction table × Long connection pipe correction coefficient of the longest indoor unit distance
 - ◆ When the configuration ratio of indoor unit reaches 100%
 Maximum outdoor unit capacity = Capacity of the corresponding configuration ratio in the outdoor unit capacity correction table × Long connection pipe correction coefficient of the longest indoor unit distance

➔ 6.3 Frosting Correction Factors of Heating

When the outdoor environment meets certain conditions (temperature and humidity conditions), the unit may be frosted or defrosted. In this case, the heating capacity of the whole system will be reduced. Therefore, the frosting correction factor should also be calculated in heating load selection for the whole system.

The table below provides the frosting correction factors:

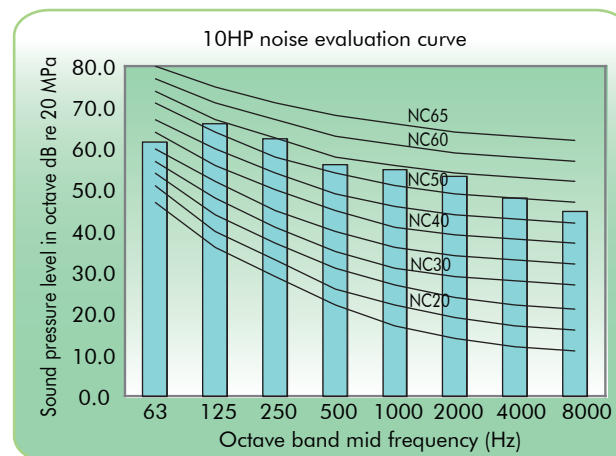
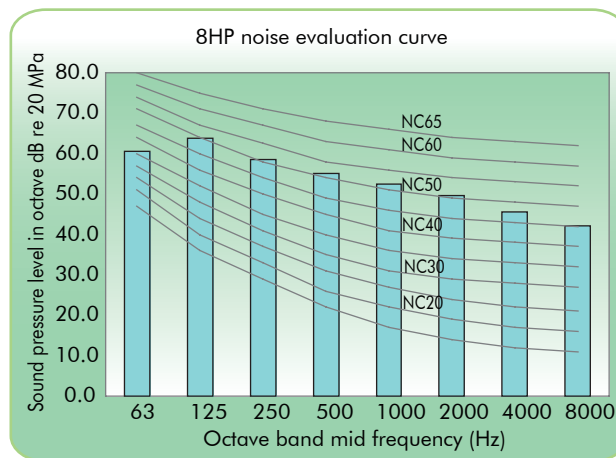
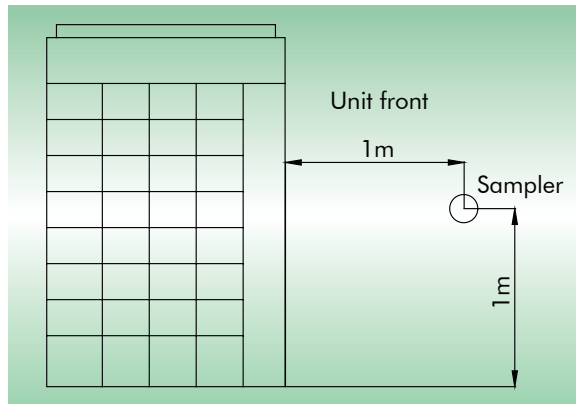
Air inlet dry bulb temperature (°C/RH85%) of the outdoor heat exchanger	-11	-9	-7	-5	-3	0	3	5	7
Frosting (defrosting) capacity correction factor of the whole system	1	0.98	0.96	0.94	0.88	0.8	0.84	0.9	1

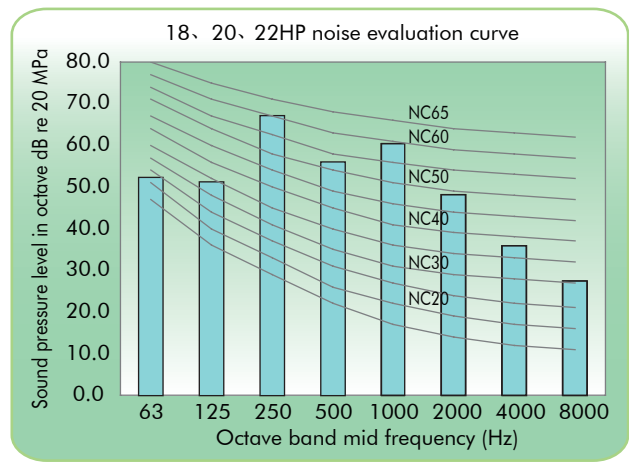
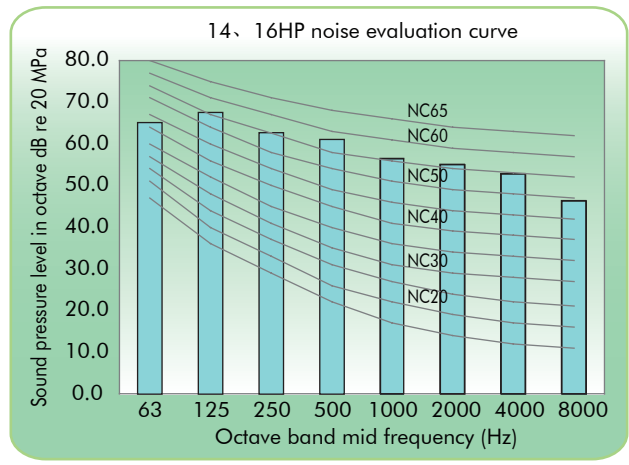
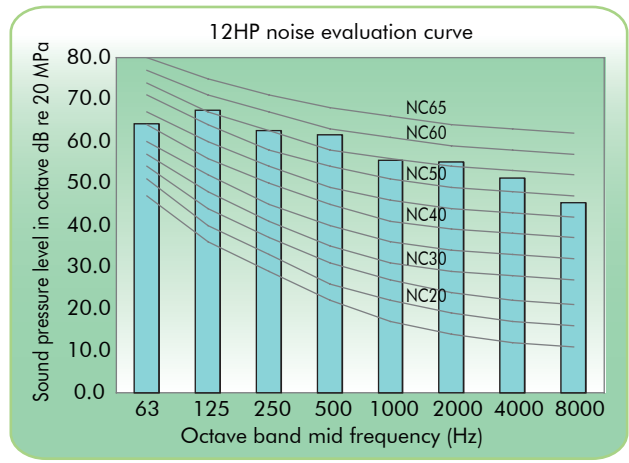
7 UNIT NOISE CURVES

Noise test method:

Test environment: semi-anechoic room; the noise level will be slightly higher due to change of the environment during actual operation.

The test points of the following noise curves are shown below:

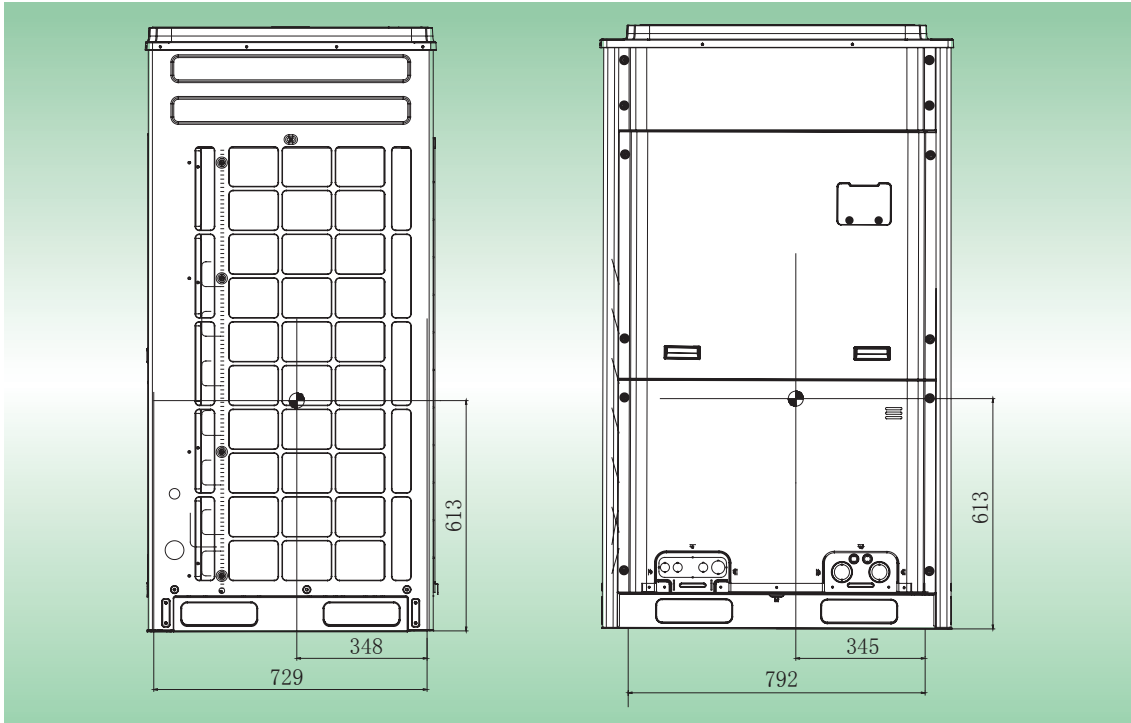




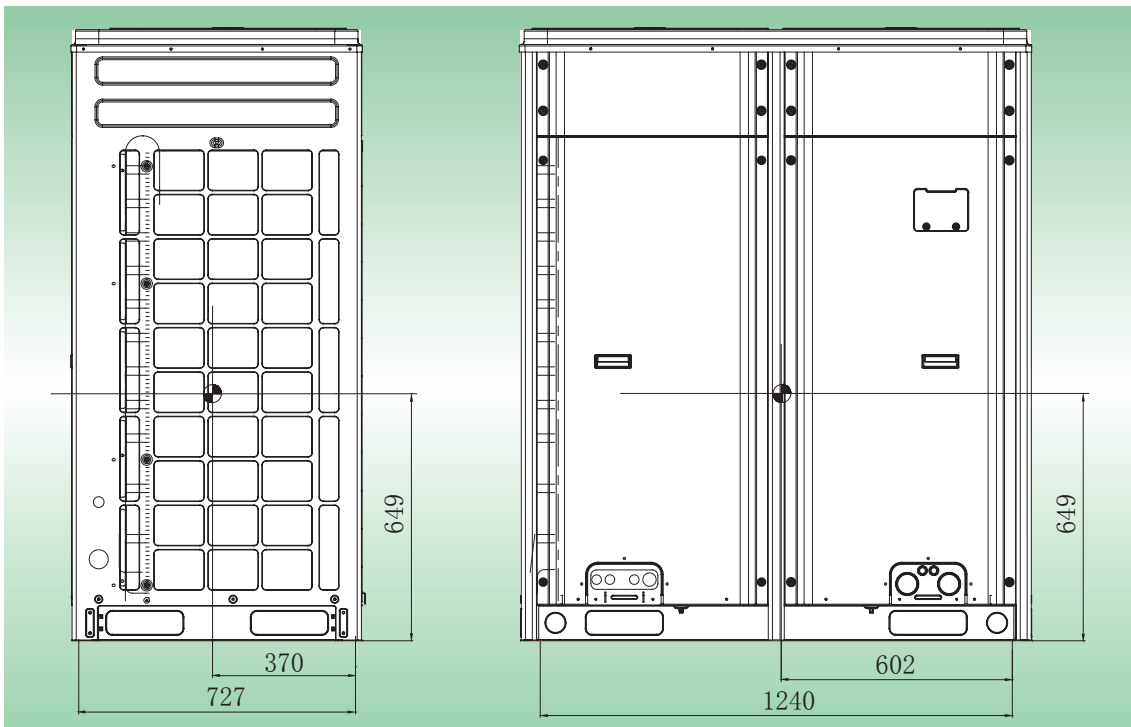
8 UNIT GRAVITY CENTER DIAGRAMS

Unit: mm

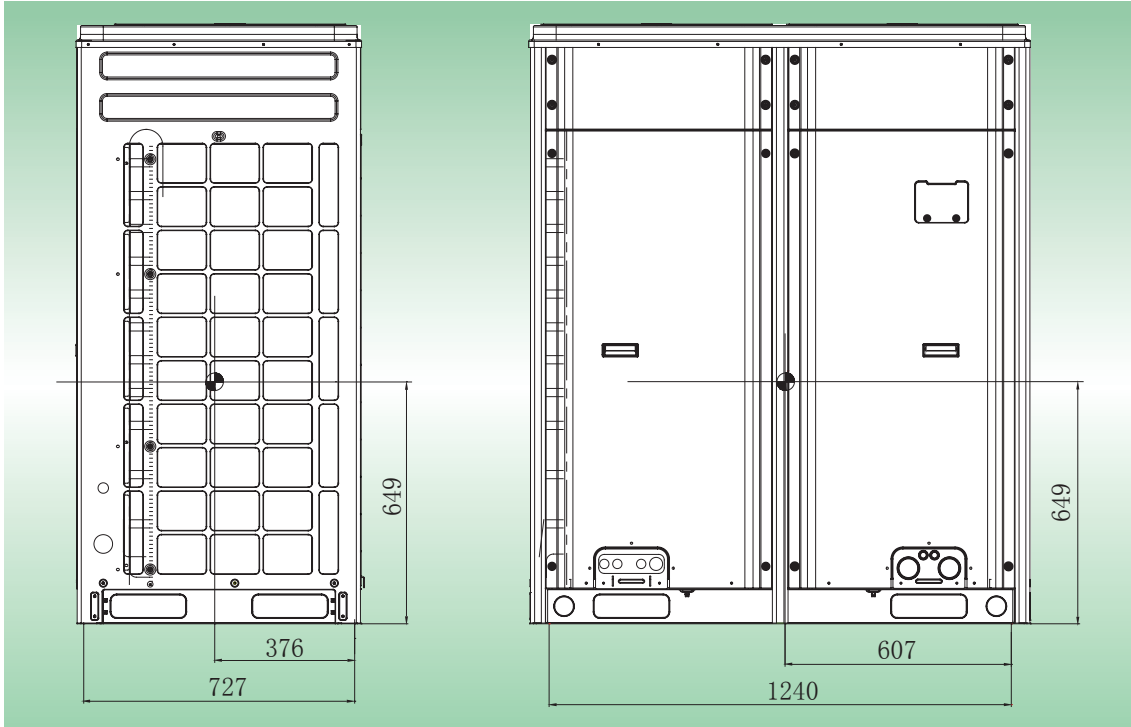
GMV-224WM/B-X, GMV-280WM/B-X



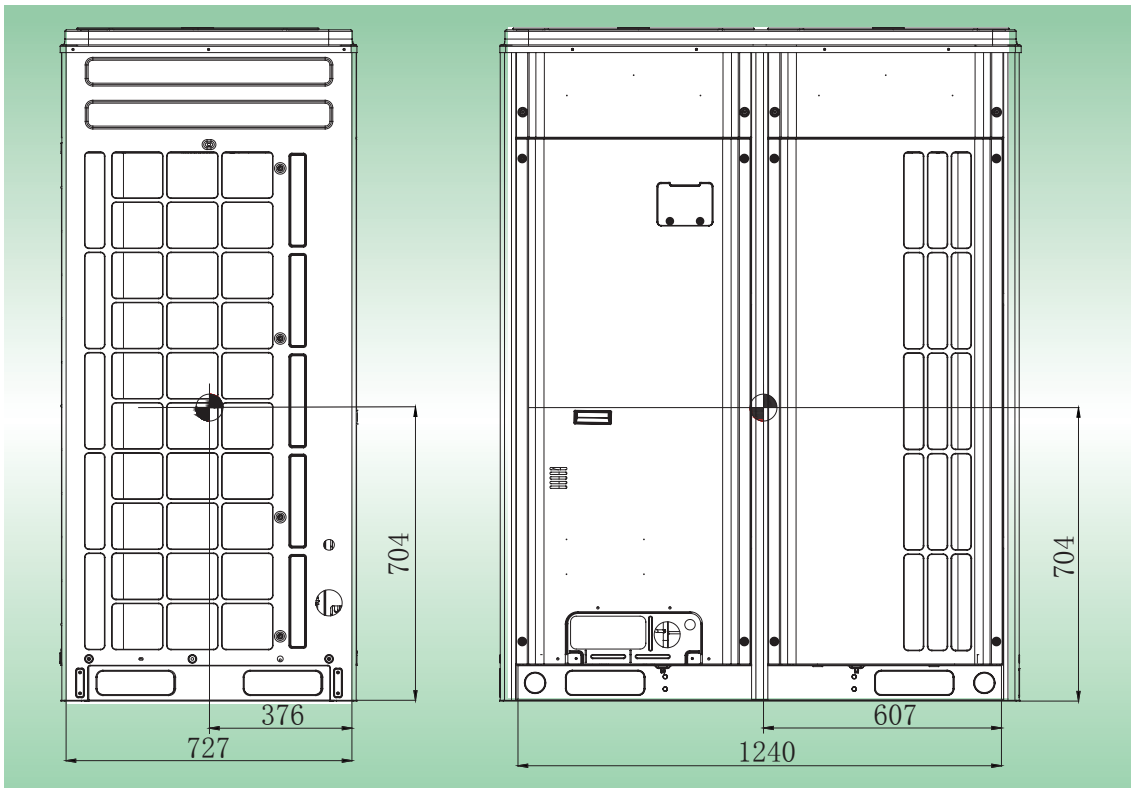
GMV-335WM/B-X



GMV-400WM/B-X, GMV-450WM/B-X



GMV-504WM/B-X, GMV-560WM/B-X, GMV-615WM/B-X



9 UNIT INSTALLATION SPACE REQUIREMENTS

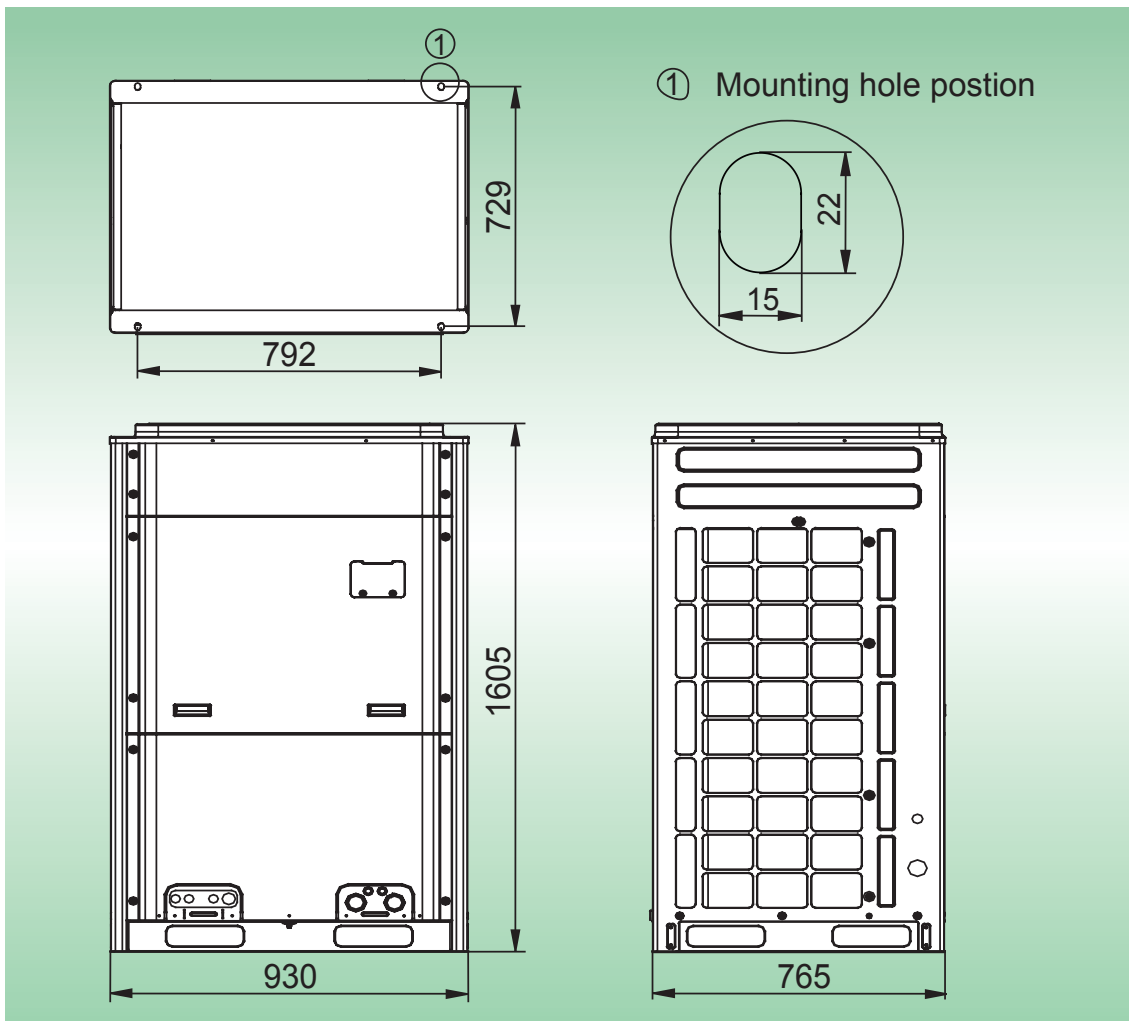
9.1 Selection of outdoor unit installation site

VRF units are used in a lot of situations and serve wider users. If the unit is installed in a living environment, the cooling, heating and noise requirements will be higher, especially for the aged and infants. Therefore, the indoor/outdoor unit model with sufficient capacity and low noise should be preferred during model selection. It is not advisable to install the outdoor unit outside the bedroom, study room, or meeting room. For the commercial site, it is improper to install the outdoor unit near the office.

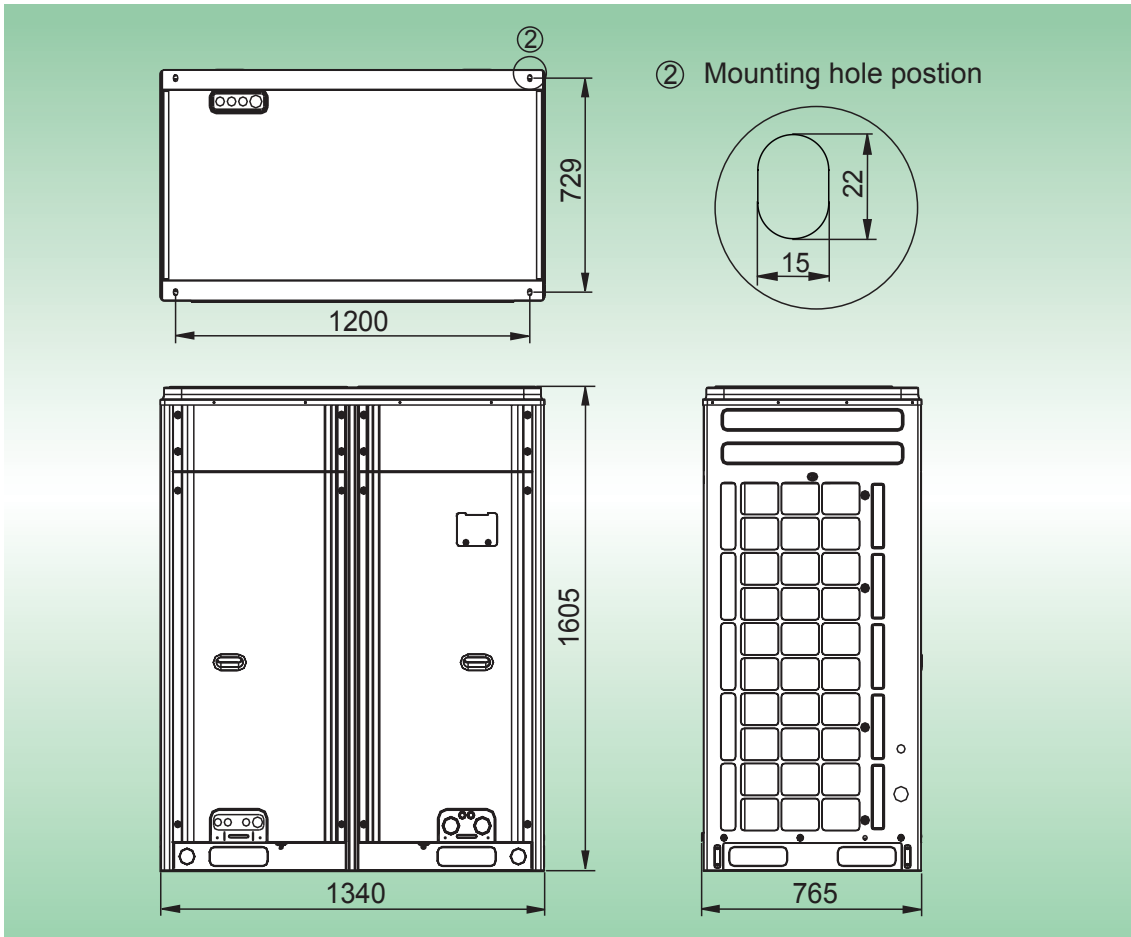
9.2 External dimensions and mounting hole dimensions of the outdoor unit

Unit: mm

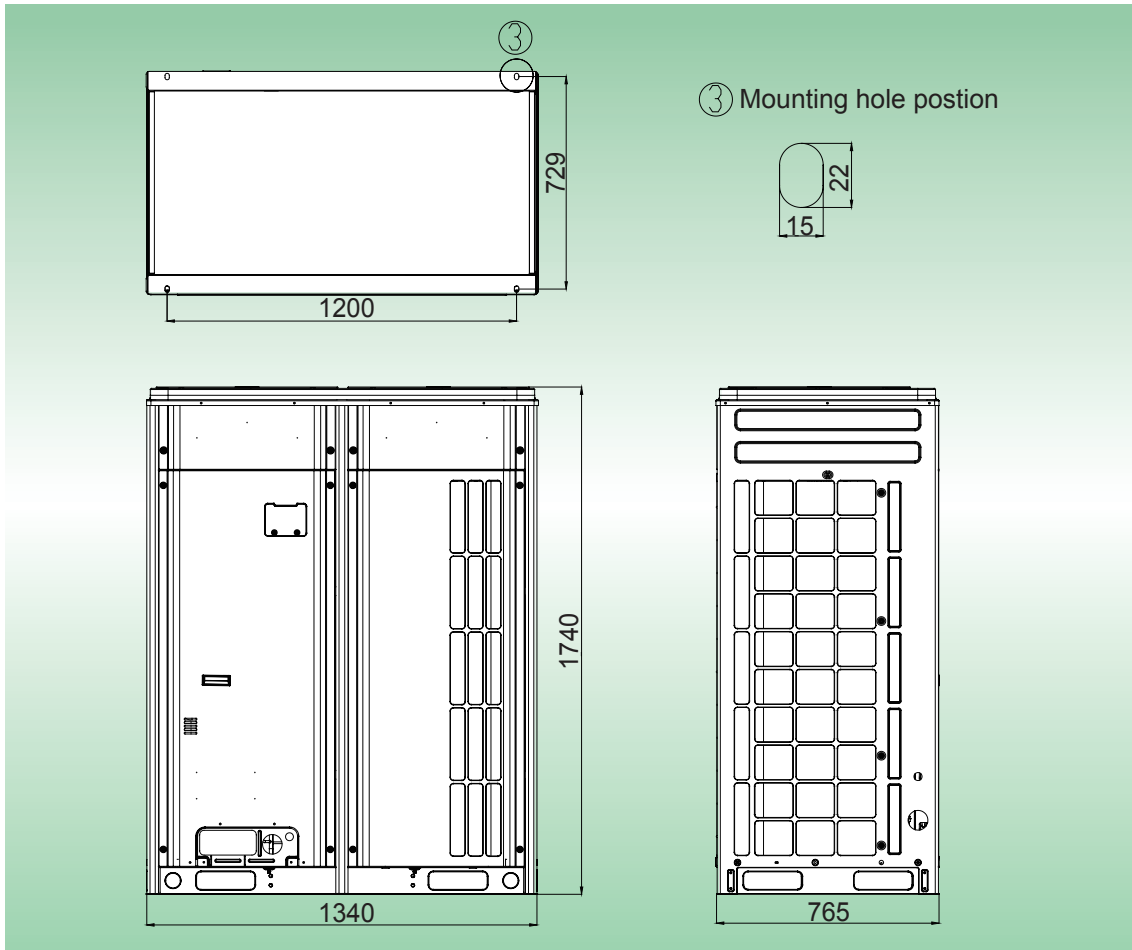
External and installation dimensions of GMV-224WM/B-X, GMV-280WM/B-X, and GMV-335WM/B-X:



External and installation dimensions of GMV-400WM/B-X and GMV-450WM/B-X:



External and installation dimensions of GMV-504WM/B-X, GMV-560WM/B-X and GMV-615WM/B-X:

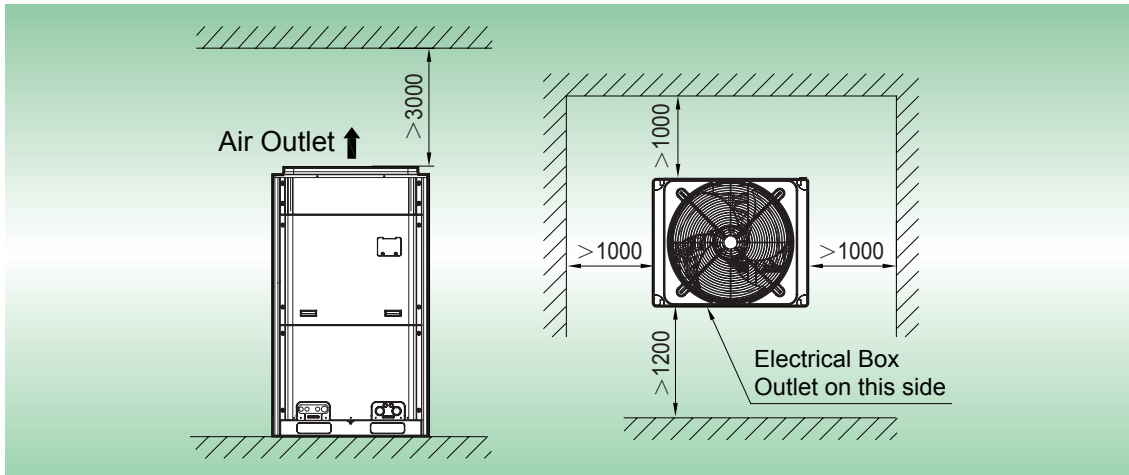


➔ 9.3 External unit installation space requirements

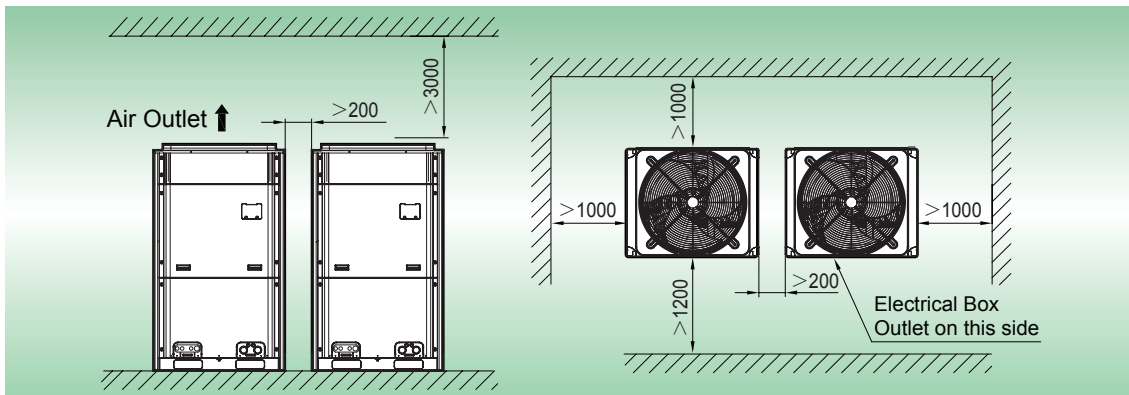
Unit: mm

1) If all sides of the outdoor unit (including the top) are surrounded by walls, process according to the following requirements for installation space:

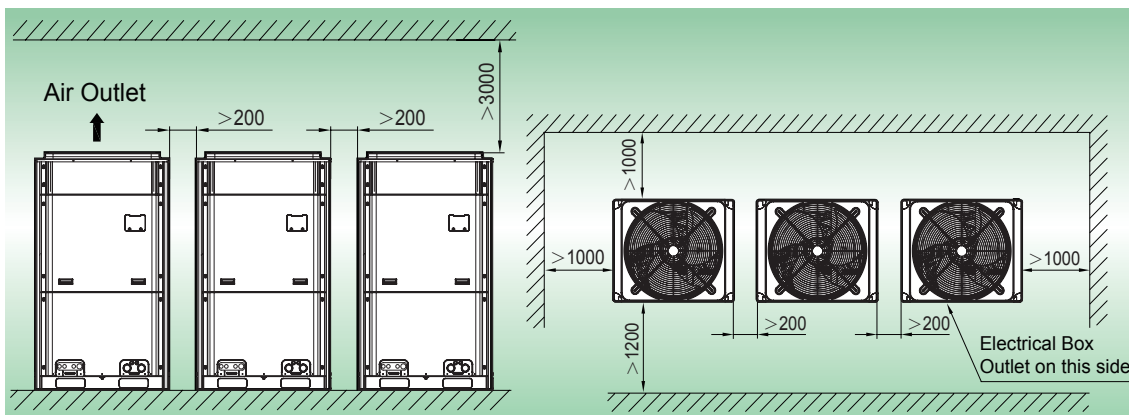
Installation space requirements for the single-module unit



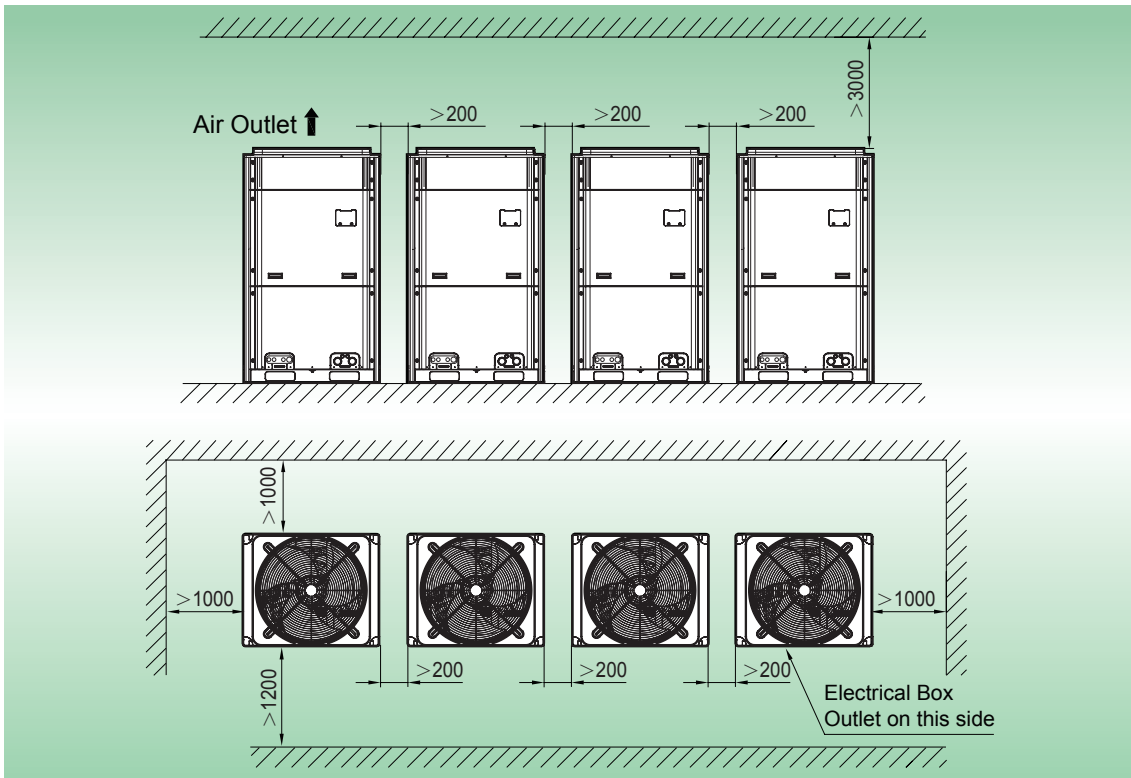
Installation space requirements for the dual-module unit



Installation space requirements for triple-module unit



Installation space requirements for quad-module unit



2) If there is a crown wall (such a barrier against wind) above the machine top, the machine top should be more than 3000 mm away from the crown wall in principle. If the spaces around the front, rear, left side, and right side of the machine are all open spaces, the machine top should be more than 1500 mm away from the crown wall, as shown in Figure (a). If the dimension is less than 1500 mm or the spaces around the machine are not open spaces, it is required to use a return duct to keep smooth ventilation, as shown in Figure (b).

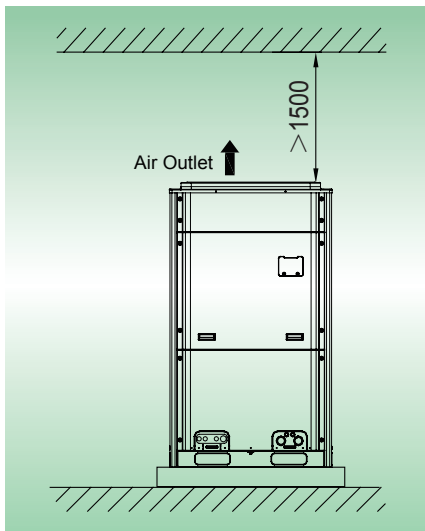


Figure (a)

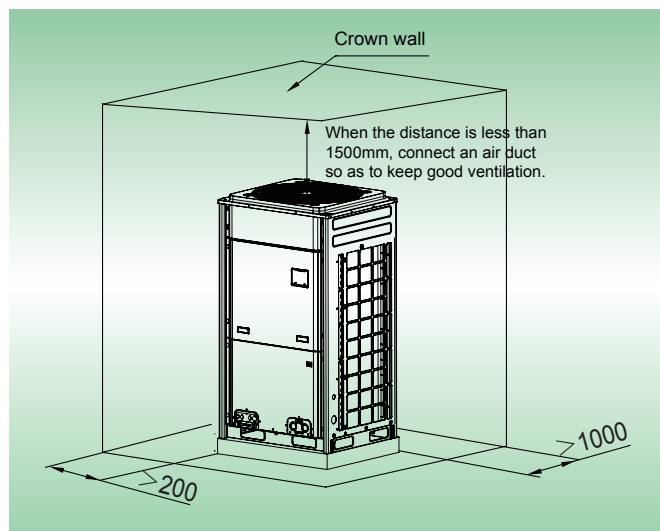


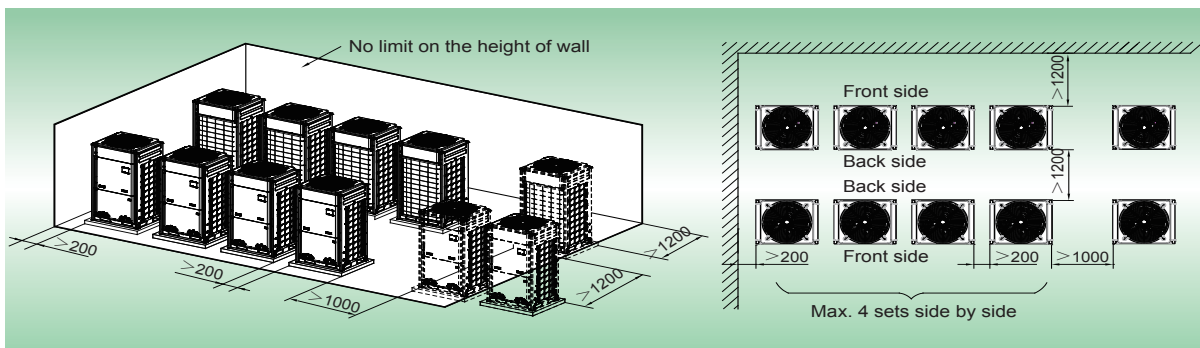
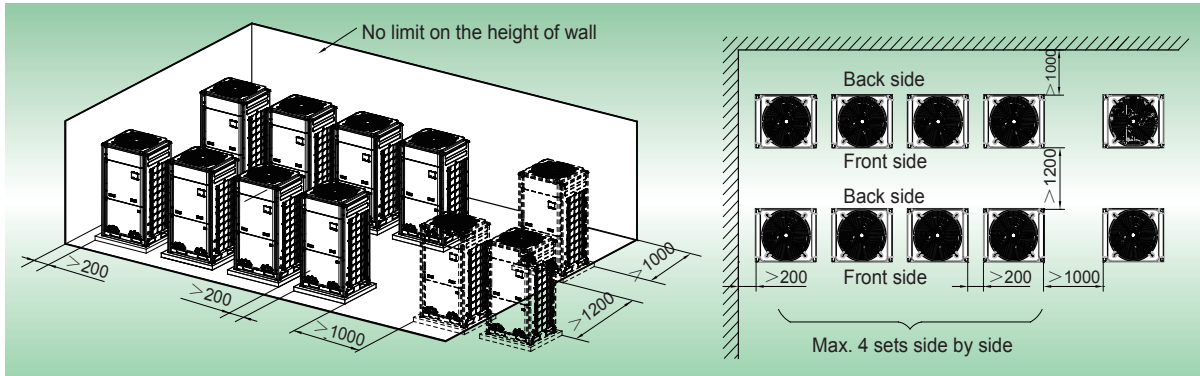
Figure (b)

Installation space requirements of multiple outdoor units

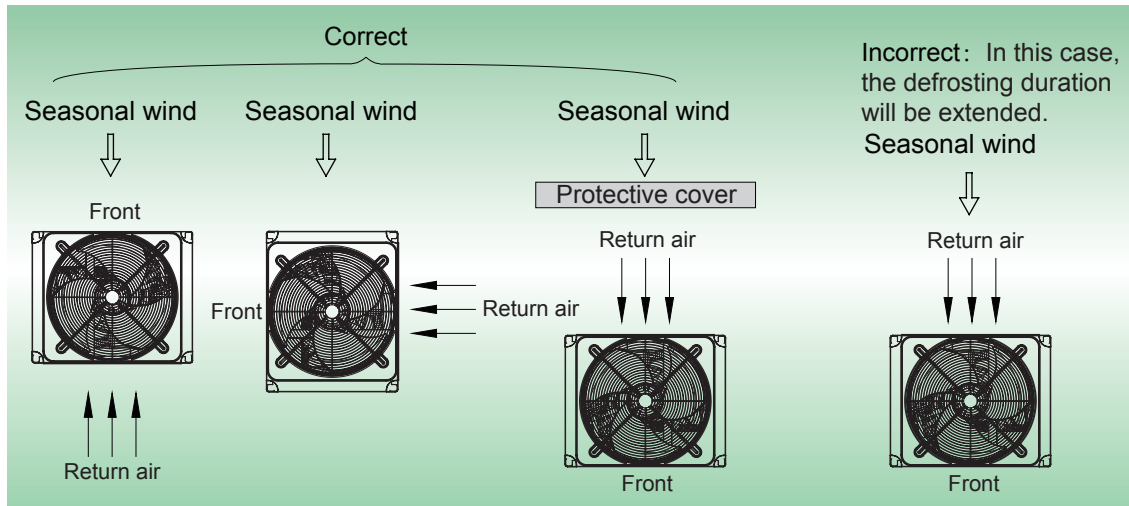
To ensure smooth ventilation, an open space must be ensured above the unit top, and there is no barrier against wind.

If there is an open space at the front side and left side (or right side) of the outdoor unit, the units should

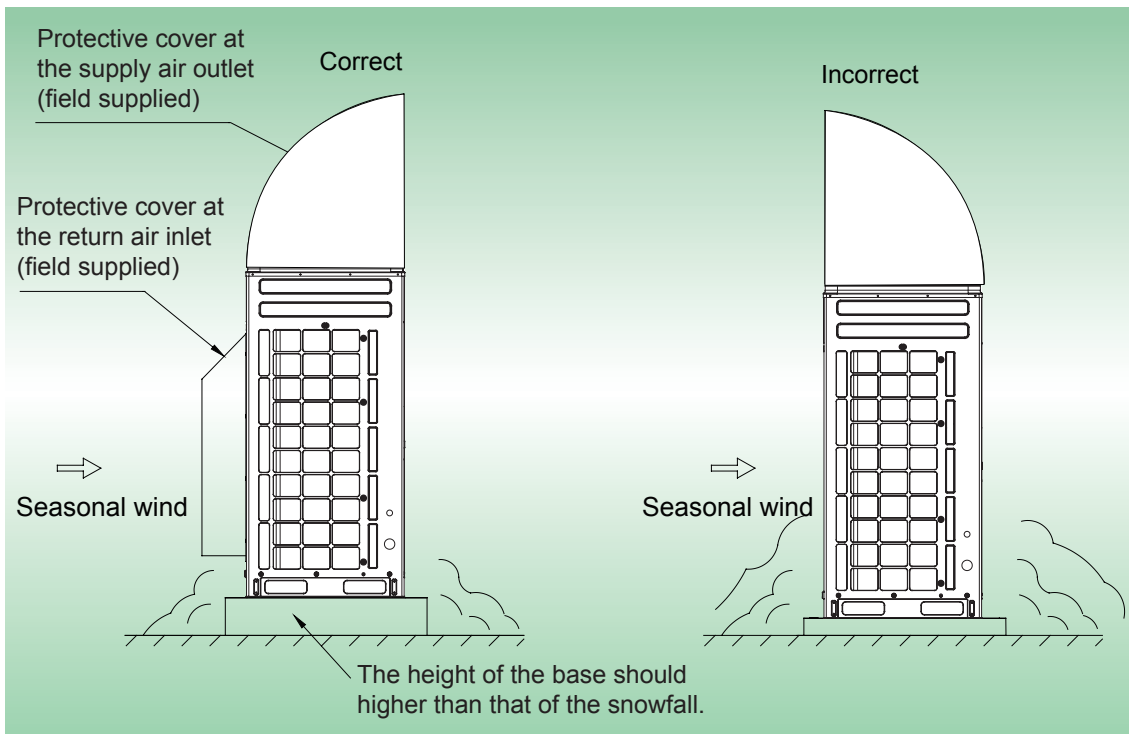
be installed towards the same direction or reverse direction.



3) Considering the seasonal wind in outdoor unit installation



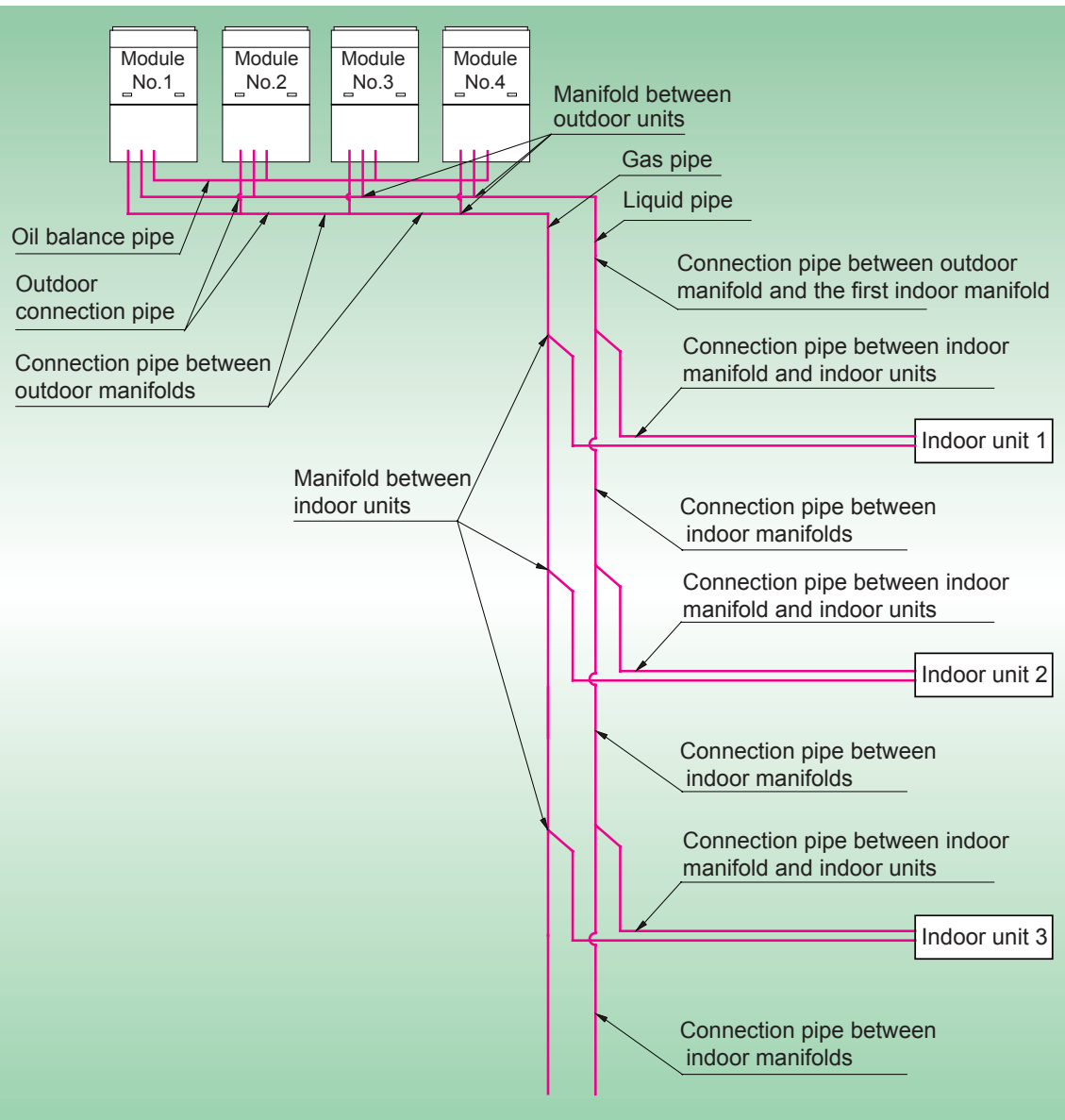
4) Considering snow in outdoor unit installation



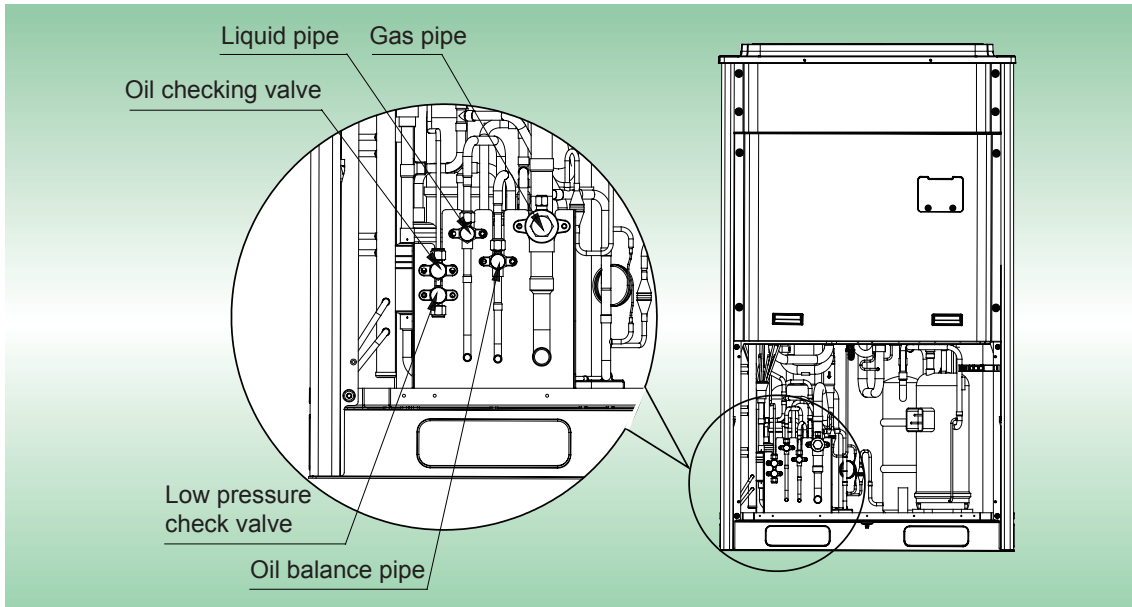
5) When the outdoor unit is installed on equipment, an air exhaust pipe should be connected, the aperture opening ratio of the louver cannot be smaller than 80%, and the included angle between the louver and the horizontal plane should be smaller than 20°.

10 MODEL SELECTION FOR UNIT PIPING

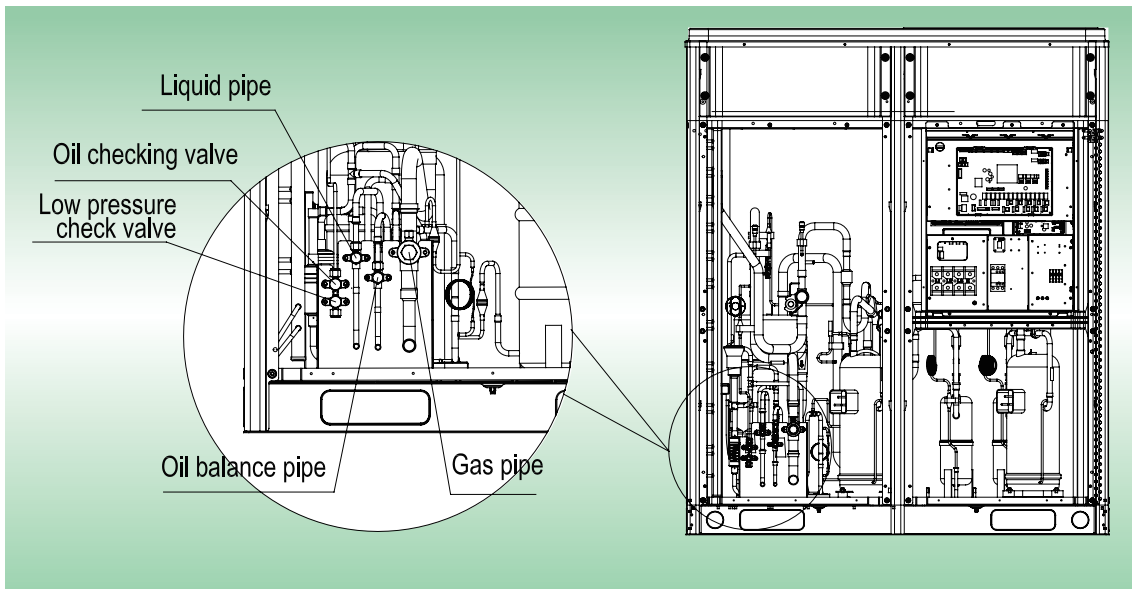
➔ 10.1 Schematic Diagram of Piping Connection



Schematic Diagram of Piping Sequence
GMV-224WM/B-X and GMV-280WM/B-X



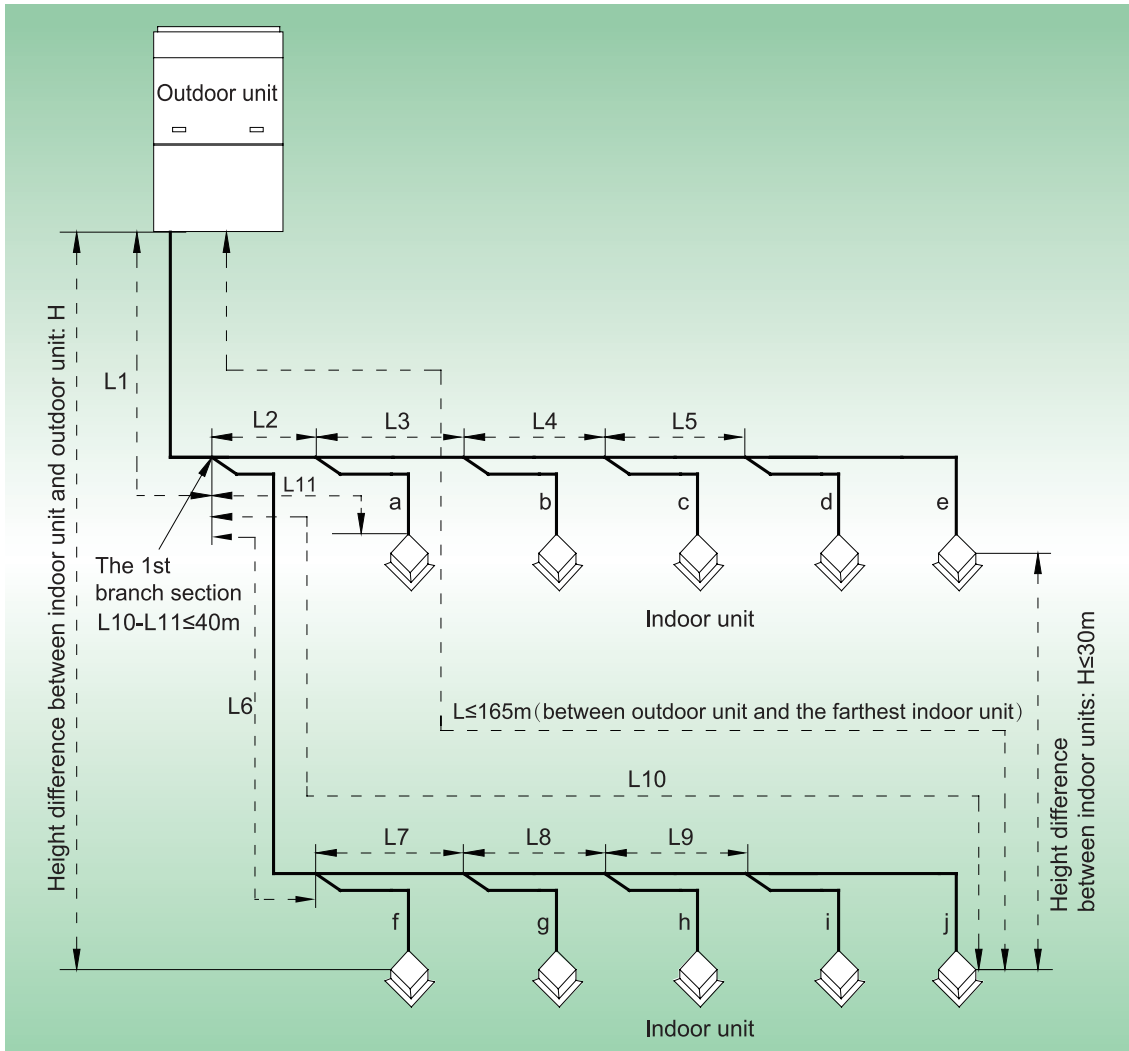
GMV-335WM/B-X, GMV-400WM/B-X and GMV-450WM/B-X, GMV-504WM/B-X , GMV-560WM/B-X
and GMV-615WM/B-X



10.2 Allowable pipe length and drop height among indoor and outdoor units

Y type branch joint is adopted to connect indoor and outdoor units. Connecting method is shown in the figure below.

Remark: Equivalent length of one Y-type manifold is about 0.5m.



L10: Length from the first branch to the farthest IDU; L11: Length from the first branch to the nearest IDU; Equivalent length of branch of IDU is 0.5m

R410A Refrigerant System		Allowable Value	Fitting Pipe
Total length (actual length) of fitting pipe		≤ 1000	$L1+L2+L3+L4+\dots+L9+a+b+\dots+i+j$
Length of farthest fitting pipe(m)	Actual length	≤ 165	$L1+L6+L7+L8+L9+j$
	Equivalent length	≤ 190	
Difference between the pipe length from the first branch of IDU to the farthest IDU and the pipe length from the first branch of IDU to the nearest IDU		≤ 40	$L10-L11$
Equivalent length from the first branch to the furthest piping (1)		≤ 40	$L6+L7+L8+L9+j$
Height difference between outdoor unit and indoor unit	Outdoor unit at upper	≤ 90	—
	Outdoor unit at lower	≤ 90	—

Height difference between indoor units (m)	≤ 30	—
Maximum length of Main pipe(2)	≤ 90	L1
From IDU to its nearest branch (3)	≤ 10	a,b,c,d,e,f,g,h,i,j

NOTES:

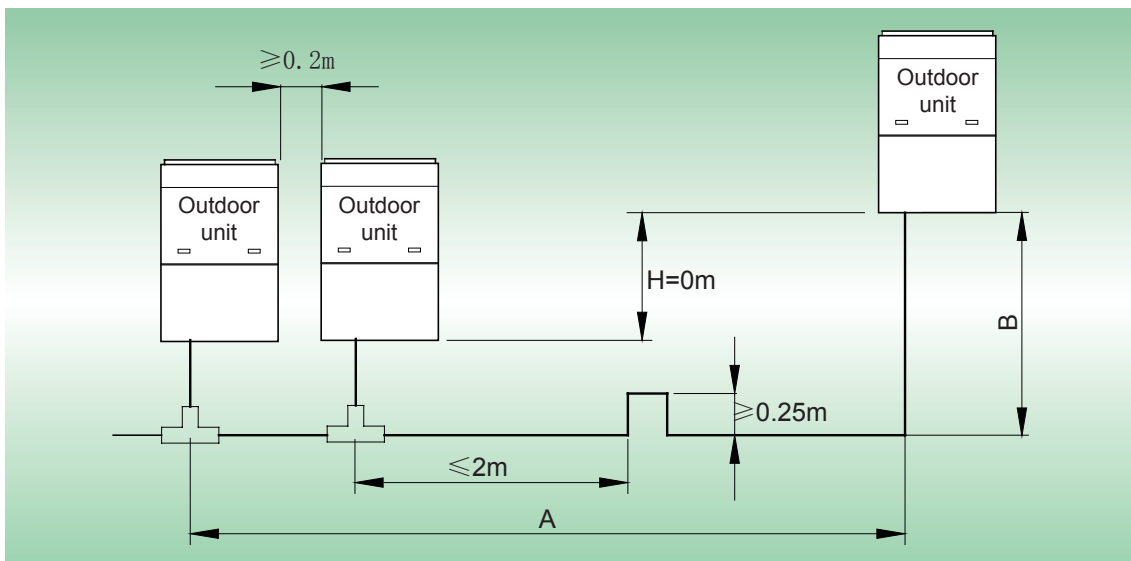
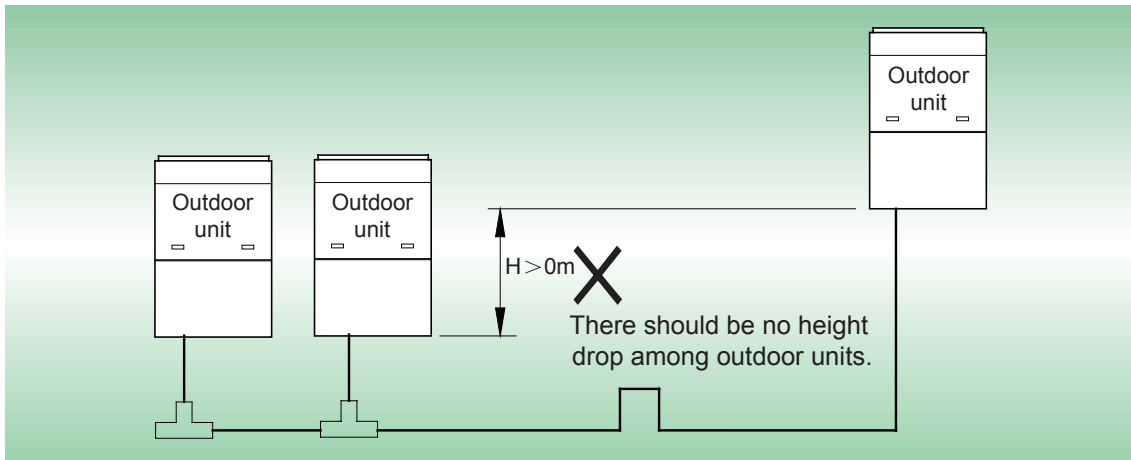
- (1) Normally, the pipe length from the first branch of IDU to the farthest IDU is 40m. When those three conditions as below are satisfied, the length can reached 90m.
- ① Actual length of pipe in total: $L1 + L2 \times 2 + L3 \times 2 + L4 \times 2 + \dots + L9 \times 2 + a + b + \dots + i + j \leq 1000\text{m}$;
 - ② Length between each IDU and its nearest branch a, b, c, d, e, f, g, h, i, j ≤ 40m;
 - ③ Difference between the pipe length from the first branch of IDU to the farthest IDU and the pipe length from the first branch of IDU to the nearest IDU: $L10 - L11 \leq 40\text{m}$.
- (2) When the maximum length of the main pipe from ODU to the first branch of IDU is ≥ 90m, then adjust the pipe size of the gas pipe and liquid pipe of main pipe according to the following table.

Outdoor Model	Gas pipe size(mm)	Liquid pipe size(mm)
GMV-224WM/B-X	No need to enlarge pipe size	No need to enlarge pipe size
GMV-280WM/B-X	No need to enlarge pipe size	Φ 12.7
GMV-335WM/B-X	Φ 28.6	Φ 15.9
GMV-400WM/B-X	Φ 31.8	Φ 15.9
GMV-450WM/B-X	Φ 31.8	Φ 15.9
GMV-504WM/B-X	Φ 34.9	Φ 19.05
GMV-560WM/B-X	Φ 34.9	Φ 19.05
GMV-615WM/B-X	Φ 34.9	Φ 19.05
GMV-680WM/B-X	No need to enlarge pipe size	Φ 19.05
GMV-730WM/B-X	Φ 38.1	Φ 22.2
GMV-785WM/B-X	Φ 38.1	Φ 22.2
GMV-850WM/B-X	Φ 38.1	Φ 22.2
GMV-900WM/B-X	Φ 38.1	Φ 22.2
GMV-960WM/B-X	Φ 41.3	Φ 22.2
GMV-1010WM/B-X	Φ 44.5	Φ 22.2
GMV-1065WM/B-X	Φ 44.5	Φ 22.2
GMV-1130WM/B-X	Φ 44.5	Φ 22.2
GMV-1180WM/B-X	Φ 44.5	Φ 22.2
GMV-1235WM/B-X	Φ 44.5	Φ 22.2
GMV-1300WM/B-X	Φ 44.5	Φ 22.2
GMV-1350WM/B-X	Φ 44.5	Φ 22.2
GMV-1410WM/B-X	Φ 44.5	Φ 25.4
GMV-1460WM/B-X	Φ 44.5	Φ 25.4
GMV-1515WM/B-X	Φ 44.5	Φ 25.4
GMV-1580WM/B-X	Φ 44.5	Φ 25.4
GMV-1630WM/B-X	Φ 44.5	Φ 25.4
GMV-1685WM/B-X	Φ 44.5	Φ 25.4
GMV-1750WM/B-X	Φ 44.5	Φ 25.4
GMV-1800WM/B-X	Φ 44.5	Φ 25.4
GMV-1845WM/B-X	Φ 44.5	Φ 25.4
GMV-1908WM/B-X	No need to enlarge pipe size	Φ 25.4
GMV-1962WM/B-X	No need to enlarge pipe size	Φ 25.4
GMV-2016WM/B-X	No need to enlarge pipe size	Φ 25.4

GMV-2072WM/B-X	No need to enlarge pipe size	Φ 25.4
GMV-2128WM/B-X	No need to enlarge pipe size	Φ 25.4
GMV-2184WM/B-X	No need to enlarge pipe size	Φ 25.4
GMV-2240WM/B-X	No need to enlarge pipe size	Φ 25.4
GMV-2295WM/B-X	No need to enlarge pipe size	Φ 25.4
GMV-2350WM/B-X	No need to enlarge pipe size	Φ 25.4
GMV-2405WM/B-X	No need to enlarge pipe size	Φ 25.4
GMV-2460WM/B-X	No need to enlarge pipe size	Φ 25.4

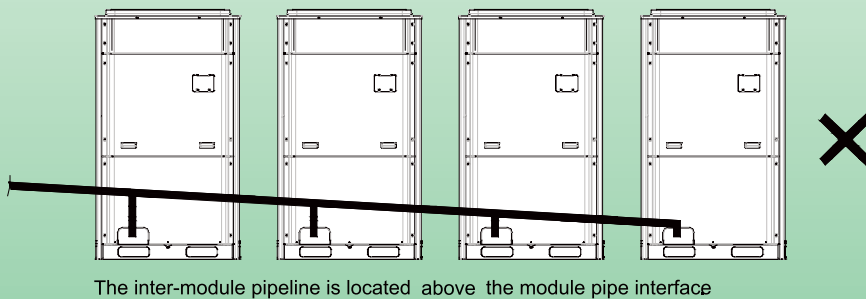
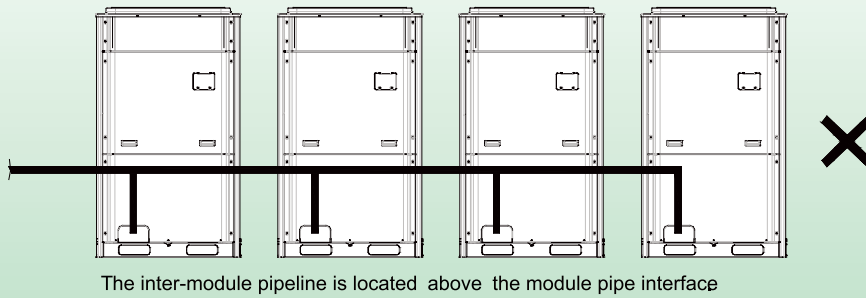
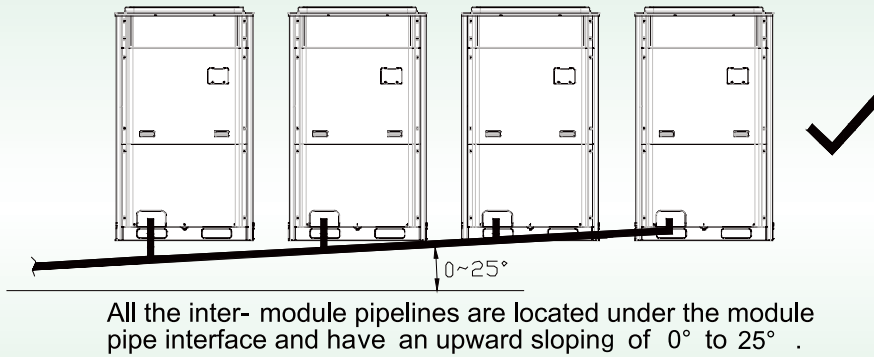
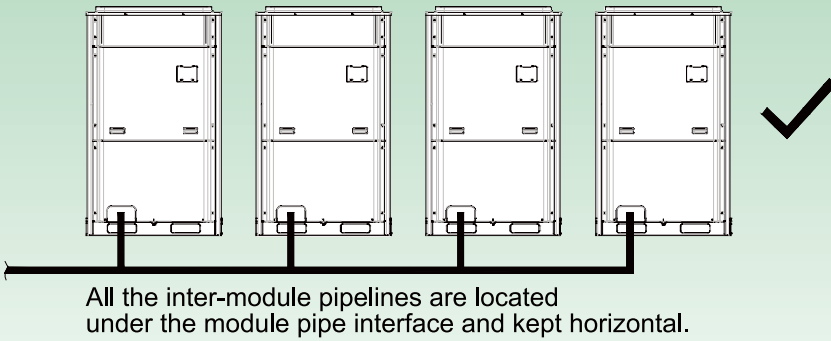
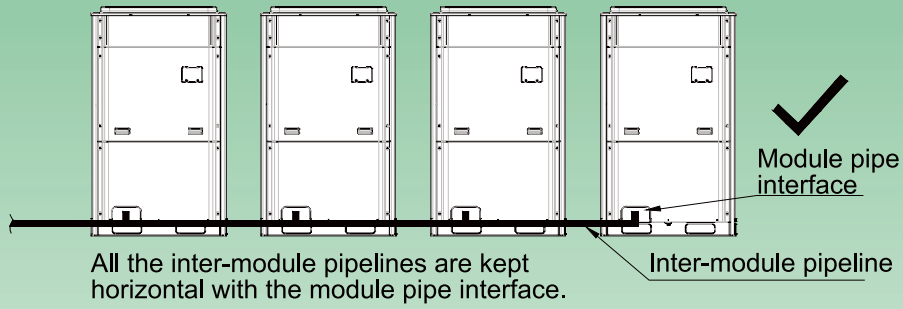
(3) If the length between an IDU and its nearest branch is above 10m, then increase the size of the liquid pipe of IDU (only for the pipe size that is $\leq 6.35\text{mm}$).

➔ 10.3 Connection Pipe among Outdoor Modules



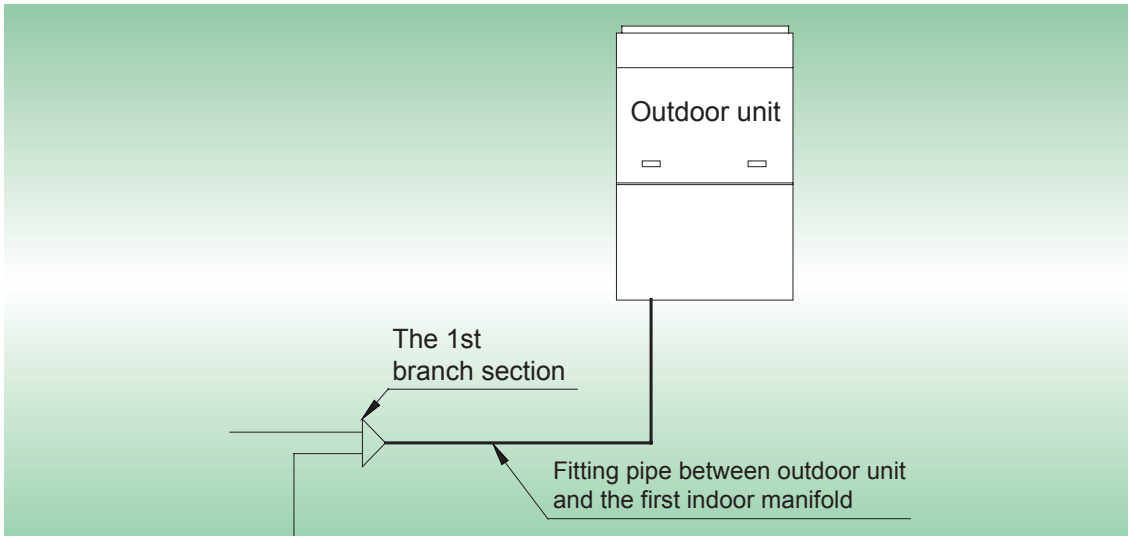
NOTES: When the distance between outdoor units exceeds 2m, U-type oil trap should be added at low-pressure gas pipe. $A + B \leq 10\text{m}$.

The pipeline between outdoor units should be installed as follows:



➔ 10.4 Fitting pipe between Outdoor Unit and the First Manifold

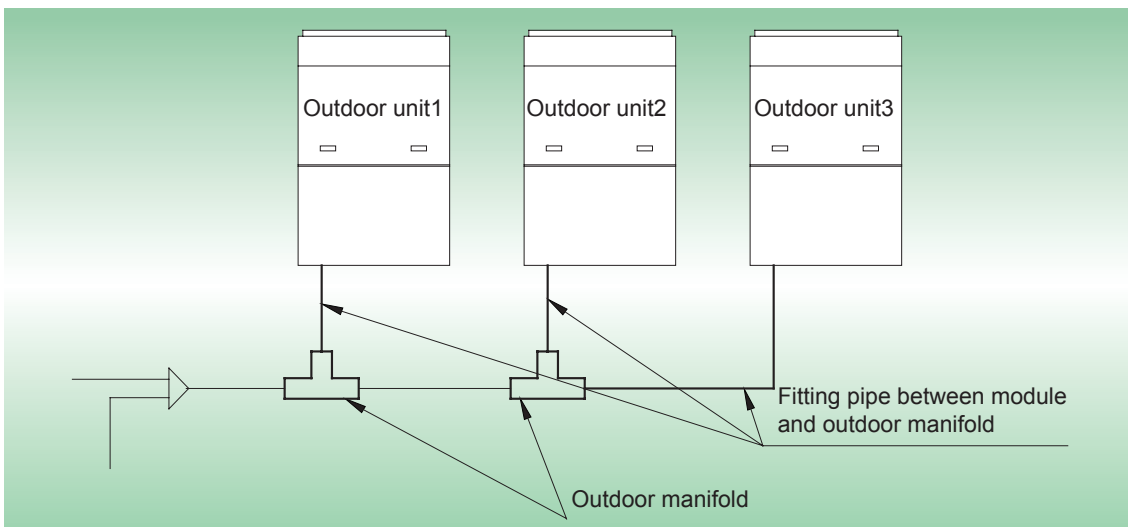
1) For single module system, pipe size (between outdoor unit and the first manifold) is determined by that of outdoor unit.



Pipe size of basic outdoor module is shown as follows:

Basic Module	Pipe between ODU and the first branch of IDU	
	Gas Pipe(mm)	Liquid Pipe(mm)
GMV-224WM/B-X	Φ 19.05	Φ 9.52
GMV-280WM/B-X	Φ 22.2	Φ 9.52
GMV-335WM/B-X	Φ 25.4	Φ 12.7
GMV-400WM/B-X	Φ 25.4	Φ 12.7
GMV-450WM/B-X	Φ 28.6	Φ 12.7
GMV-504WM/B-X	Φ 28.6	Φ 15.9
GMV-560WM/B-X	Φ 28.6	Φ 15.9
GMV-615WM/B-X	Φ 28.6	Φ 15.9

2) For multi-module unit, select appropriate manifold connected to outdoor module as per the pipe size of basic module. Pipe size of basic outdoor module is shown as follows:



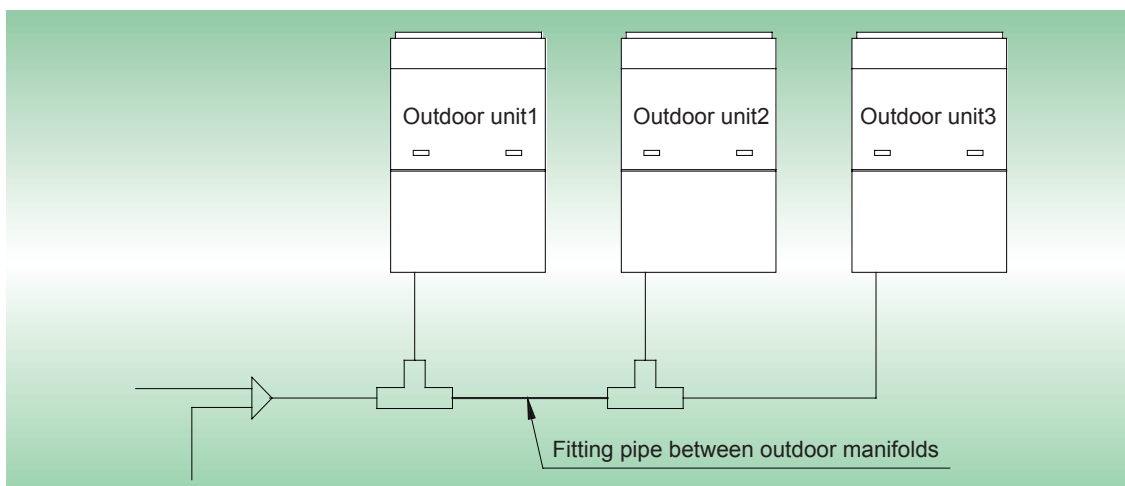
Basic Module	Pipe between module and branch of ODU	
	Gas Pipe(mm)	Liquid Pipe(mm)
GMV-224WM/B-X	Φ 19.05	Φ 9.52
GMV-280WM/B-X	Φ 22.2	Φ 9.52
GMV-335WM/B-X	Φ 25.4	Φ 12.7
GMV-400WM/B-X	Φ 25.4	Φ 12.7
GMV-450WM/B-X	Φ 28.6	Φ 12.7
GMV-504WM/B-X	Φ 28.6	Φ 15.9
GMV-560WM/B-X	Φ 28.6	Φ 15.9
GMV-615WM/B-X	Φ 28.6	Φ 15.9

Select the branch of outdoor module

	Module's capacity (C)	Model
Select the branch of outdoor module	504 ≤ C	ML01/A

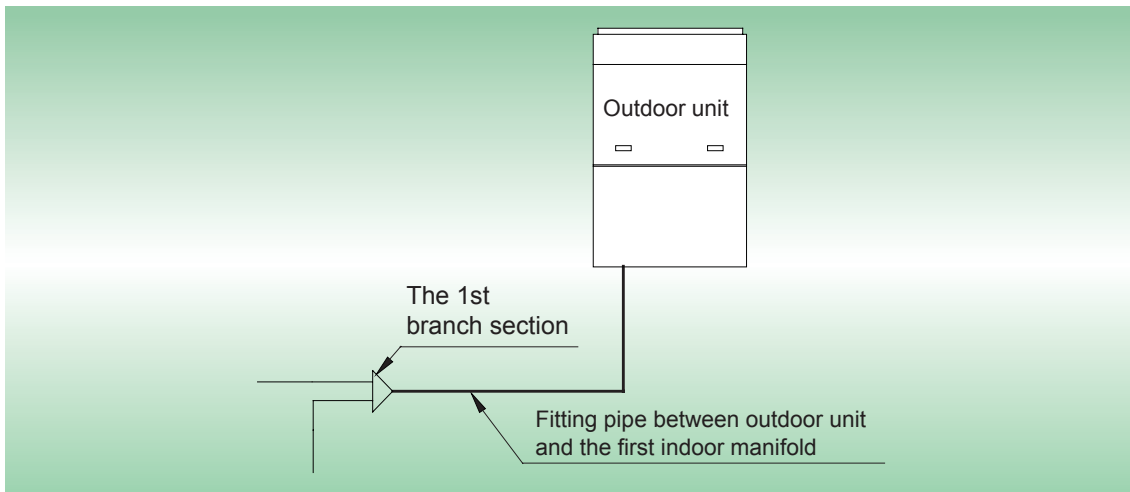
3) Fitting pipe between two manifolds from basic modules

Pipe size (between two manifolds from basic modules) is based on the total capacity of upstream modules.



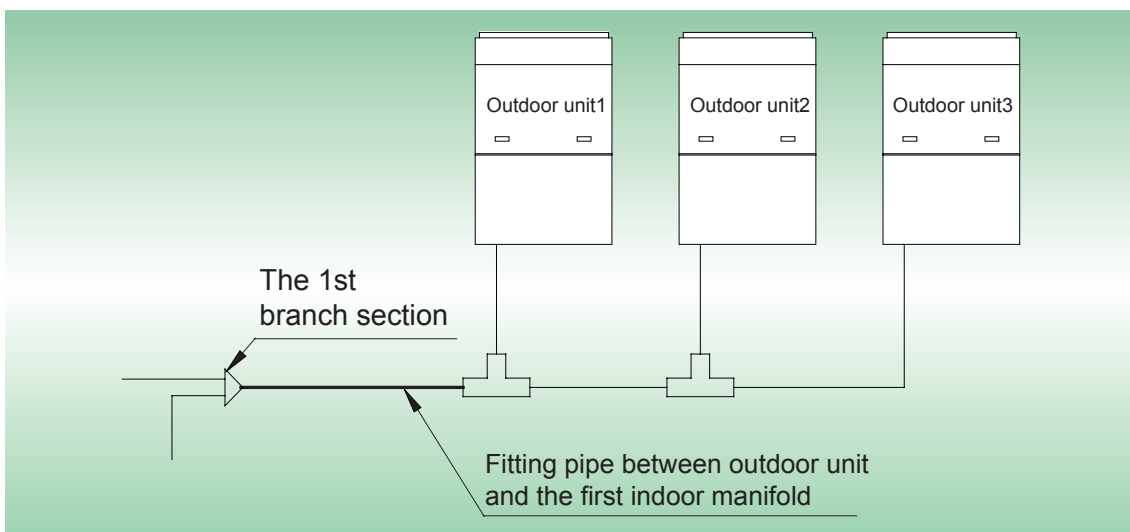
Total capacity of upstream modules Q(kW)	Pipe size between manifolds	
	Gas Pipe(mm)	Liquid Pipe(mm)
22.4 ≥ Q	Φ 19.05	Φ 9.52
28.0 ≥ Q > 22.4	Φ 22.2	Φ 9.52
40.0 ≥ Q > 28.0	Φ 25.4	Φ 12.7
45.0 ≥ Q > 40.0	Φ 28.6	Φ 12.7
68.0 ≥ Q > 45.0	Φ 28.6	Φ 15.9
96.0 ≥ Q > 68.0	Φ 31.8	Φ 19.05
135.0 ≥ Q > 96.0	Φ 38.1	Φ 19.05
Q > 135.0	Φ 44.5	Φ 22.2

4) Fitting pipe between the first manifold from indoor unit and the end manifold from outdoor unit
Single module unit



Basic Module(single module)	Pipe between ODU and the first branch of IDU	
	Gas Pipe(mm)	Liquid Pipe(mm)
GMV-224WM/B-X	Φ 19.05	Φ 9.52
GMV-280WM/B-X	Φ 22.2	Φ 9.52
GMV-335WM/B-X	Φ 25.4	Φ 12.7
GMV-400WM/B-X	Φ 25.4	Φ 12.7
GMV-450WM/B-X	Φ 28.6	Φ 12.7
GMV-504WM/B-X	Φ 28.6	Φ 15.9
GMV-560WM/B-X	Φ 28.6	Φ 15.9
GMV-615WM/B-X	Φ 28.6	Φ 15.9

For multiple modules, the piping from ODU to the first branch of IDU is based on the total rated capacity of outdoor modules.

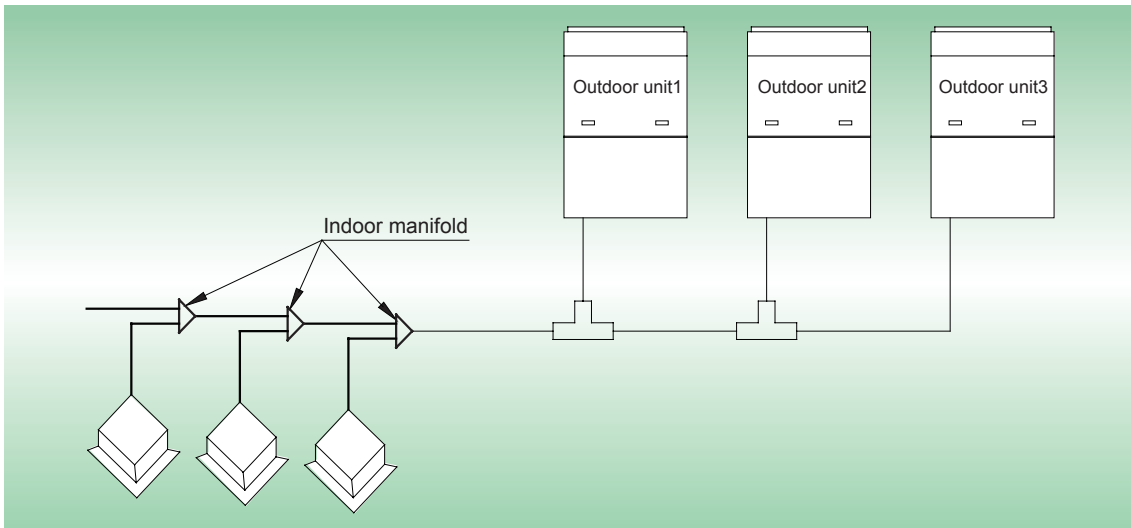


GMV5 DC Inverter VRF Units Technical Sales Guide

Total rated capacity of outdoor modules (multi-modular system)	Pipe between ODU and the first branch of IDU	
	Gas Pipe(mm)	Liquid Pipe(mm)
GMV-504WM/B-X	Φ 28.6	Φ 15.9
GMV-560WM/B-X	Φ 28.6	Φ 15.9
GMV-615WM/B-X	Φ 28.6	Φ 15.9
GMV-680WM/B-X	Φ 28.6	Φ 15.9
GMV-730WM/B-X	Φ 31.8	Φ 19.05
GMV-785WM/B-X	Φ 31.8	Φ 19.05
GMV-850WM/B-X	Φ 31.8	Φ 19.05
GMV-900WM/B-X	Φ 31.8	Φ 19.05
GMV-960WM/B-X	Φ 31.8	Φ 19.05
GMV-1010WM/B-X	Φ 38.1	Φ 19.05
GMV-1065WM/B-X	Φ 38.1	Φ 19.05
GMV-1130WM/B-X	Φ 38.1	Φ 19.05
GMV-1180WM/B-X	Φ 38.1	Φ 19.05
GMV-1235WM/B-X	Φ 38.1	Φ 19.05
GMV-1300WM/B-X	Φ 38.1	Φ 19.05
GMV-1350WM/B-X	Φ 38.1	Φ 19.05
GMV-1410WM/B-X	Φ 41.3	Φ 19.05
GMV-1460WM/B-X	Φ 41.3	Φ 19.05
GMV-1515WM/B-X	Φ 41.3	Φ 19.05
GMV-1580WM/B-X	Φ 41.3	Φ 19.05
GMV-1630WM/B-X	Φ 41.3	Φ 19.05
GMV-1685WM/B-X	Φ 41.3	Φ 19.05
GMV-1750WM/B-X	Φ 41.3	Φ 19.05
GMV-1800WM/B-X	Φ 41.3	Φ 19.05
GMV-1845WM/B-X	Φ 41.3	Φ 19.05
GMV-1908WM/B-X	Φ 44.5	Φ 22.2
GMV-1962WM/B-X	Φ 44.5	Φ 22.2
GMV-2016WM/B-X	Φ 44.5	Φ 22.2
GMV-2072WM/B-X	Φ 44.5	Φ 22.2
GMV-2128WM/B-X	Φ 44.5	Φ 22.2
GMV-2184WM/B-X	Φ 44.5	Φ 22.2
GMV-2240WM/B-X	Φ 44.5	Φ 22.2
GMV-2295WM/B-X	Φ 44.5	Φ 22.2
GMV-2350WM/B-X	Φ 44.5	Φ 22.2
GMV-2405WM/B-X	Φ 44.5	Φ 22.2
GMV-2460WM/B-X	Φ 44.5	Φ 22.2

5) Manifold at indoor unit side

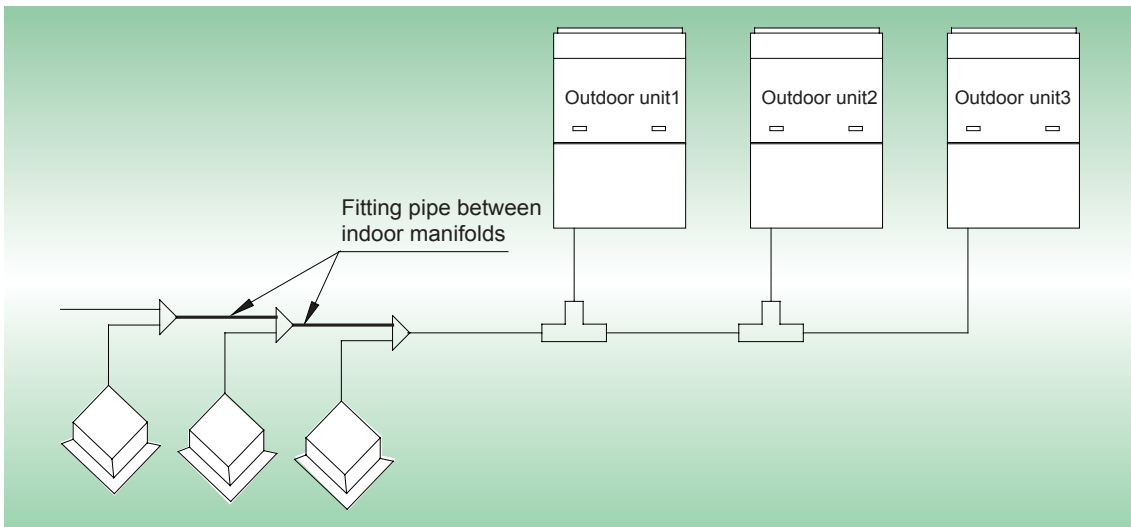
Manifold at indoor unit side can be selected as per total capacity of downstream indoor unit(s). Refer to the following table.



R410A Refrigerant System	Total capacity of downstream indoor unit(s) C (kW)	Model
Y-type Manifold	$C \leq 20.0$	FQ01A/A
	$20.0 < C \leq 30.0$	FQ01B/A
	$30.0 < C \leq 70.0$	FQ02/A
	$70.0 < C \leq 135.0$	FQ03/A
	$135.0 < C$	FQ04/A

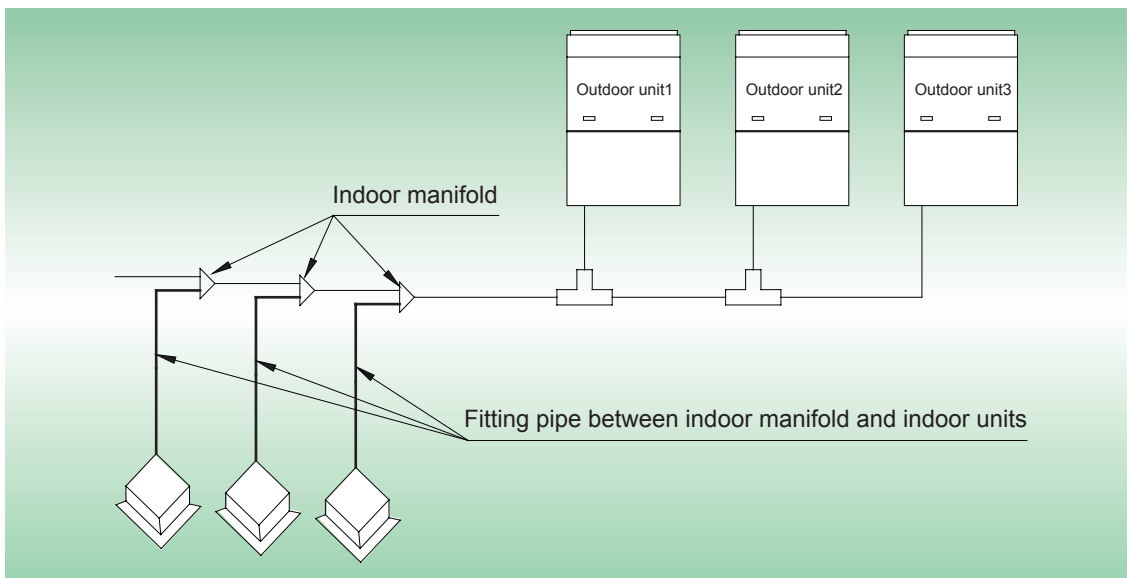
6) Fitting pipe between manifolds

Pipe size (between two manifolds at indoor unit side) is based on the total capacity of upstream indoor unit(s).



Total capacity of downstream indoor unit(s) C(kW)	Dimension of the pipe of indoor branch	
	Gas Pipe(mm)	Liquid Pipe (mm)
$C \leq 5.6$	$\Phi 12.7$	$\Phi 6.35$
$5.6 < C \leq 14.2$	$\Phi 15.9$	$\Phi 9.52$
$14.2 < C \leq 22.4$	$\Phi 19.05$	$\Phi 9.52$
$22.4 < C \leq 28.0$	$\Phi 22.2$	$\Phi 9.52$
$28.0 < C \leq 40.0$	$\Phi 25.4$	$\Phi 12.7$
$40.0 < C \leq 45.0$	$\Phi 28.6$	$\Phi 12.7$
$45.0 < C \leq 68.0$	$\Phi 28.6$	$\Phi 15.9$
$68.0 < C \leq 96.0$	$\Phi 31.8$	$\Phi 19.05$
$96.0 < C \leq 135.0$	$\Phi 38.1$	$\Phi 19.05$
$135.0 < C$	$\Phi 44.5$	$\Phi 22.2$

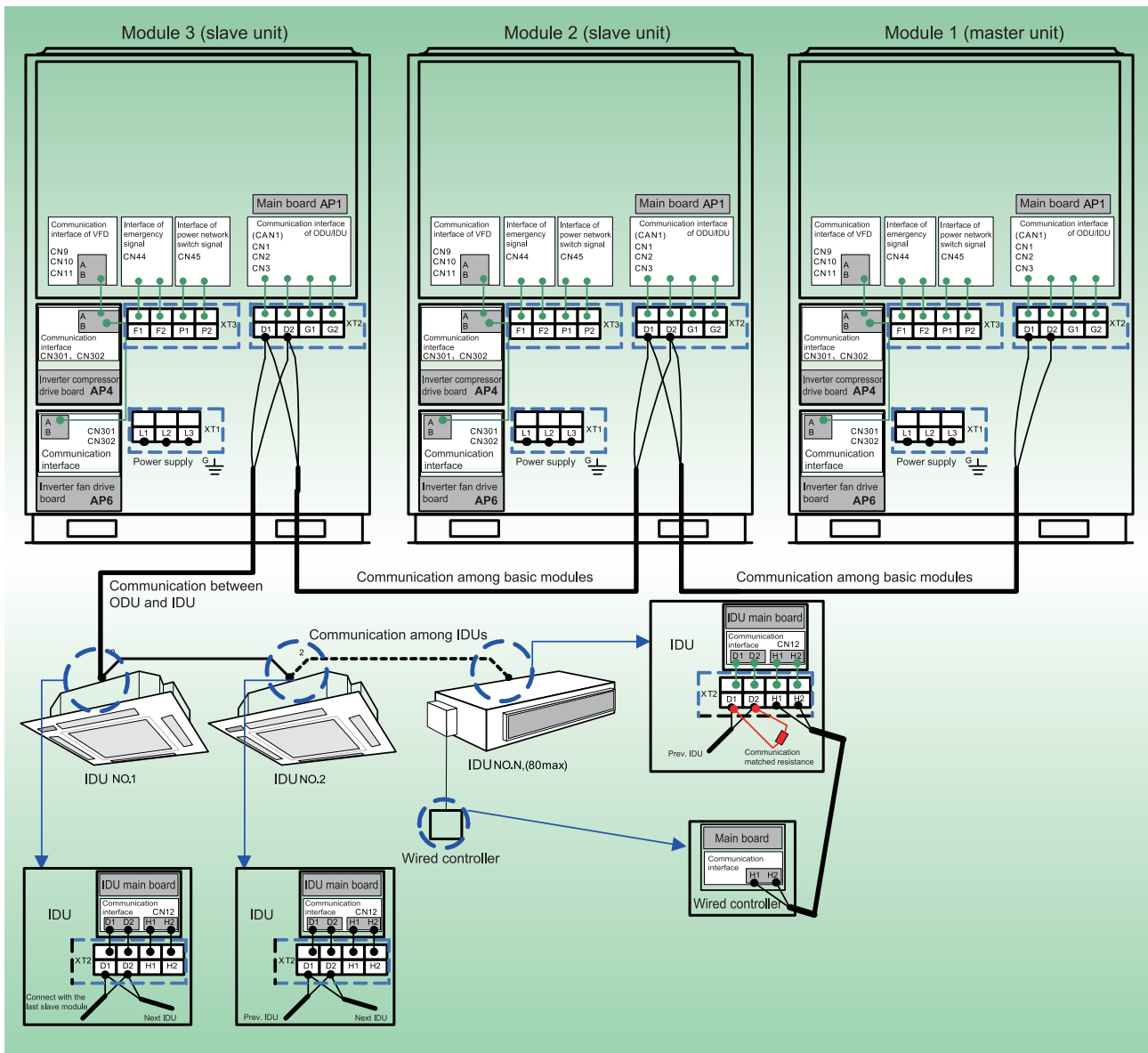
7) Fitting pipe between indoor unit and manifold
 Manifold should be matched with fitting pipe of indoor unit.



Rated capacity of indoor unit C(kW)	Pipe between indoor branch and IDU	
	Gas Pipe(mm)	Liquid Pipe(mm)
$C \leq 2.8$	$\Phi 9.52$	$\Phi 6.35$
$2.8 < C \leq 5.0$	$\Phi 12.7$	$\Phi 6.35$
$5.0 < C \leq 14.0$	$\Phi 15.9$	$\Phi 9.52$
$14.0 < C \leq 16.0$	$\Phi 19.05$	$\Phi 9.52$
$16.0 < C \leq 28.0$	$\Phi 22.2$	$\Phi 9.52$

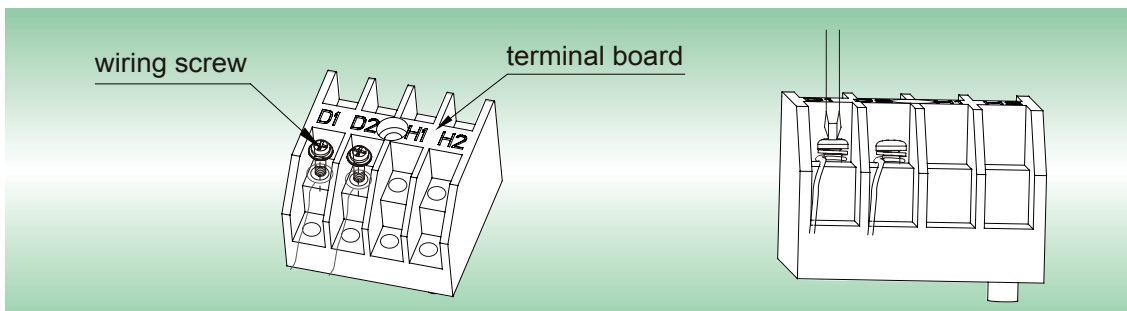
11 REQUIREMENTS FOR COMMUNICATION MODE

The GMV5 VRF unit air conditioning system adopts the CAN communication network. Manual dialling and differentiation of the communication cable polarity are not required for the indoor unit, and only functional dialling should be set for the indoor unit.



➔ 11.1 Connection Mode of Connection Line Terminals

All the communication connections of GMV5 are in the screw fastening mode.



➔ 11.2 Communication Cable Material and Wring Mode

11.2.1 Communication Material

Module selection for the communication cables of outdoor unit and indoor unit.

Material Type	Total Length L(m) of Communication Cable between IDU Unit and (ODU) Unit L(m)	Wire size (mm ²)	Material Standard	Remarks
Light/Ordinary polyvinyl chloride sheathed cord. (60227 IEC 52 /60227 IEC 53)	L ≤ 1000	≥ 2 × 0.75	IEC 60227-5:2007	1. If the wire diameter is enlarged to 2 × 1 mm ² , the total communication length can reach 1500m. 2. The cord shall be Circular cord (the cores shall be twisted together). 3. If unit is installed in places with intense magnetic field or strong interference, it is necessary to use shielded wire.

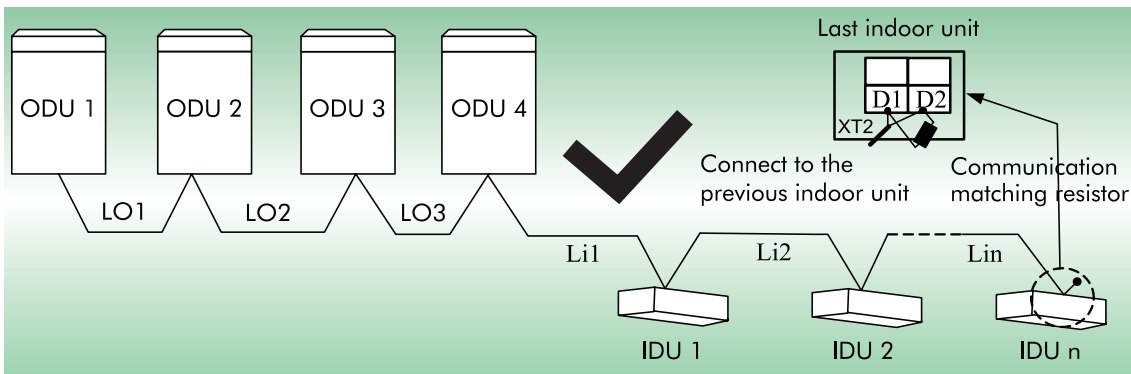
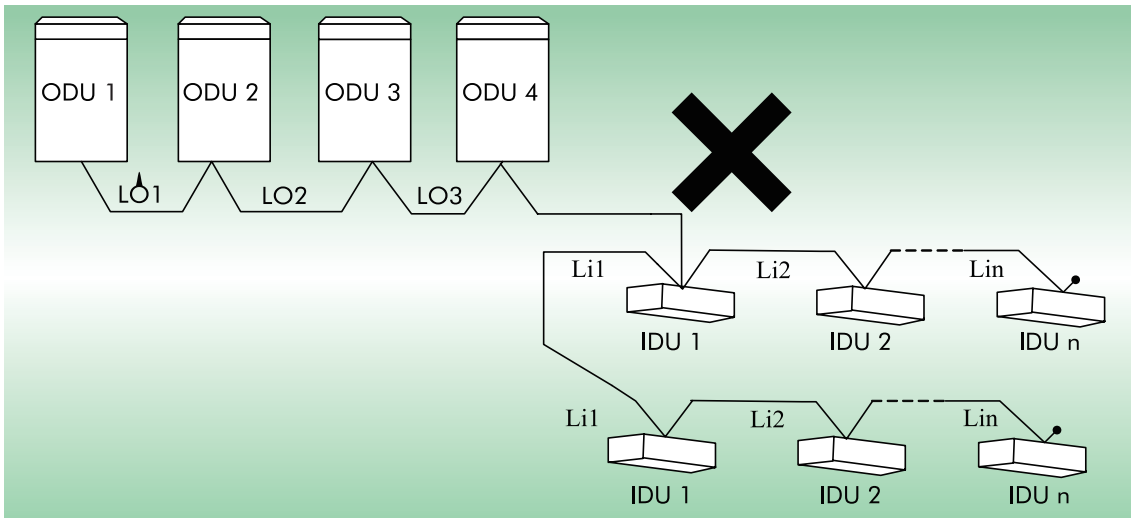
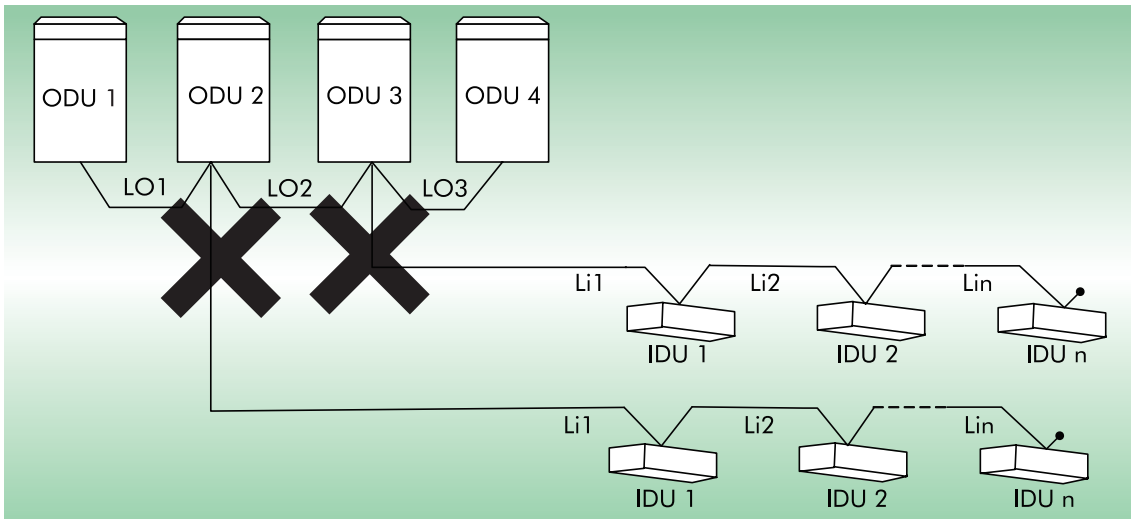
Module selection for the communication cable between the indoor unit and wired controller.

Material type	Total length of communication line between IDU unit and wired controller L(m)	Wire size (mm ²)	Material standard	Remarks
Light/Ordinary polyvinyl chloride sheathed cord. (60227 IEC 52 /60227 IEC 53)	L ≤ 250	2 × 0.75 ~ 2 × 1.25	IEC 60227-5:2007	1. Total length of communication line can't exceed 250m. 2. The cord shall be Circular cord (the cores shall be twisted together). 3. If unit is installed in places with intense magnetic field or strong interference, it is necessary to use shielded wire.

NOTES: If the air conditioning units are installed at a place with strong electromagnetic interference, a shielded cable must be used as the communication cable between the indoor unit and wired controller, and a shielded twisted pair must be used as the communication cable between the indoor unit and indoor (outdoor) unit.

11.2.2 Communication Access Mode

The communication bus of GMV5 indoor and outdoor units must be connected in series, and star connection is forbidden. The indoor unit at the end of the communication bus for the indoor units and outdoor units must be connected to a communication matching resistor (which is contained in the packing bag of the outdoor unit).

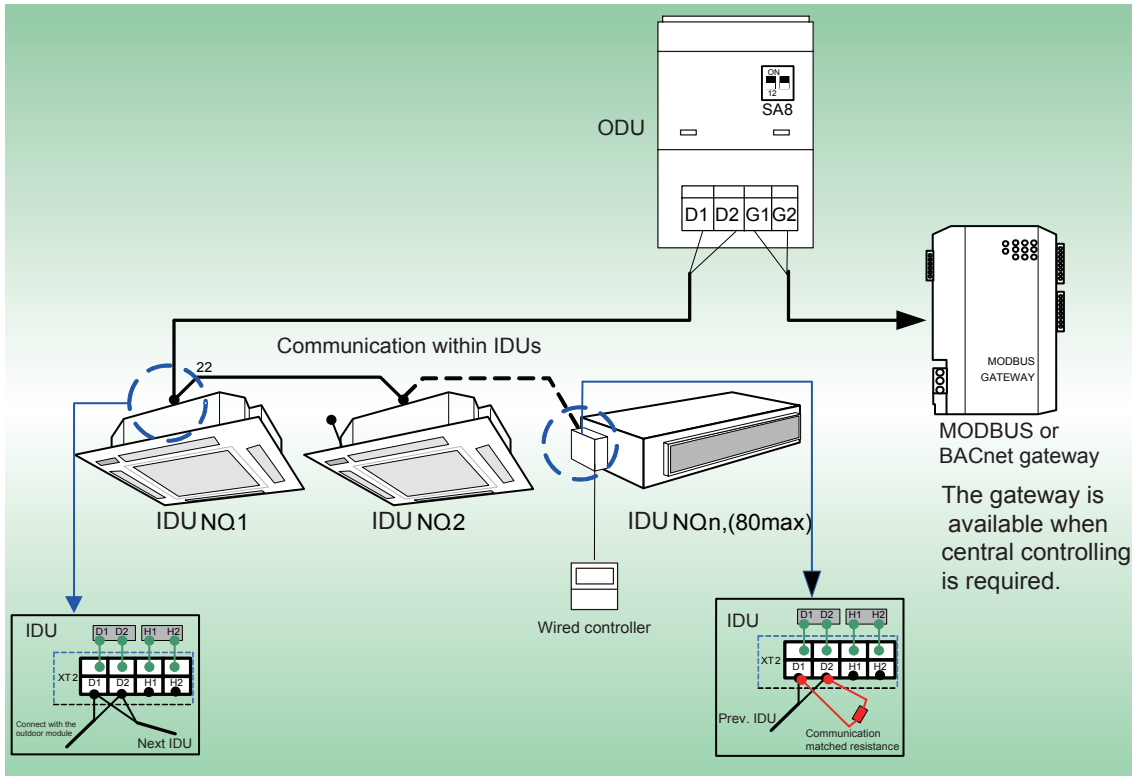


➔ 11.3 Connection Method and Procedure of Communication Cable

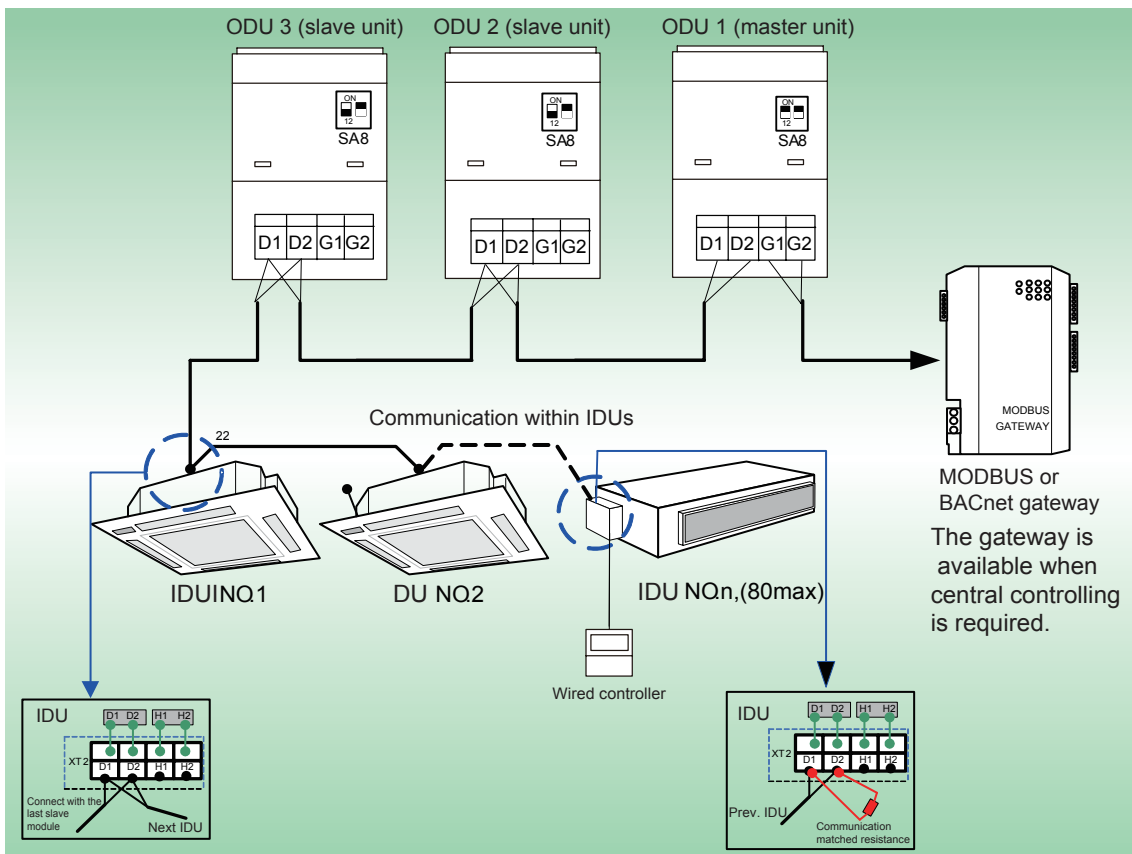
11.3.1 Communication connection between the indoor unit and outdoor unit

The indoor unit is connected to the outdoor unit through the D1/D2 port of the terminal plate XT2. The figures below show the connection method of the single outdoor unit and connection method of the modular outdoor unit.

Communication connection mode of the single module system



Communication connection mode of the multi-module system



NOTES:

- a. For the modular outdoor unit, if multiple outdoor unit modules are available, the master unit must be the first outdoor unit module on the communication line and cannot be connected to any indoor unit (the master unit is set by SA8 of the main board for outdoor unit).
- b. For the modular outdoor unit, if multiple outdoor unit modules are available, the indoor unit must be connected to the last slave module of outdoor unit (the slave unit is set by SA8 of the main board for outdoor unit).
- c. The communication cable must be wired separately from the power cable to avoid interference.
- d. A proper length of communication cable must be selected, and no joint is allowed.
- e. The indoor units must be connected in series, and the last indoor unit must be connected to a communication matching resistor (which is provided in the list of outdoor unit accessories).

12 ELECTRICAL CONNECTION

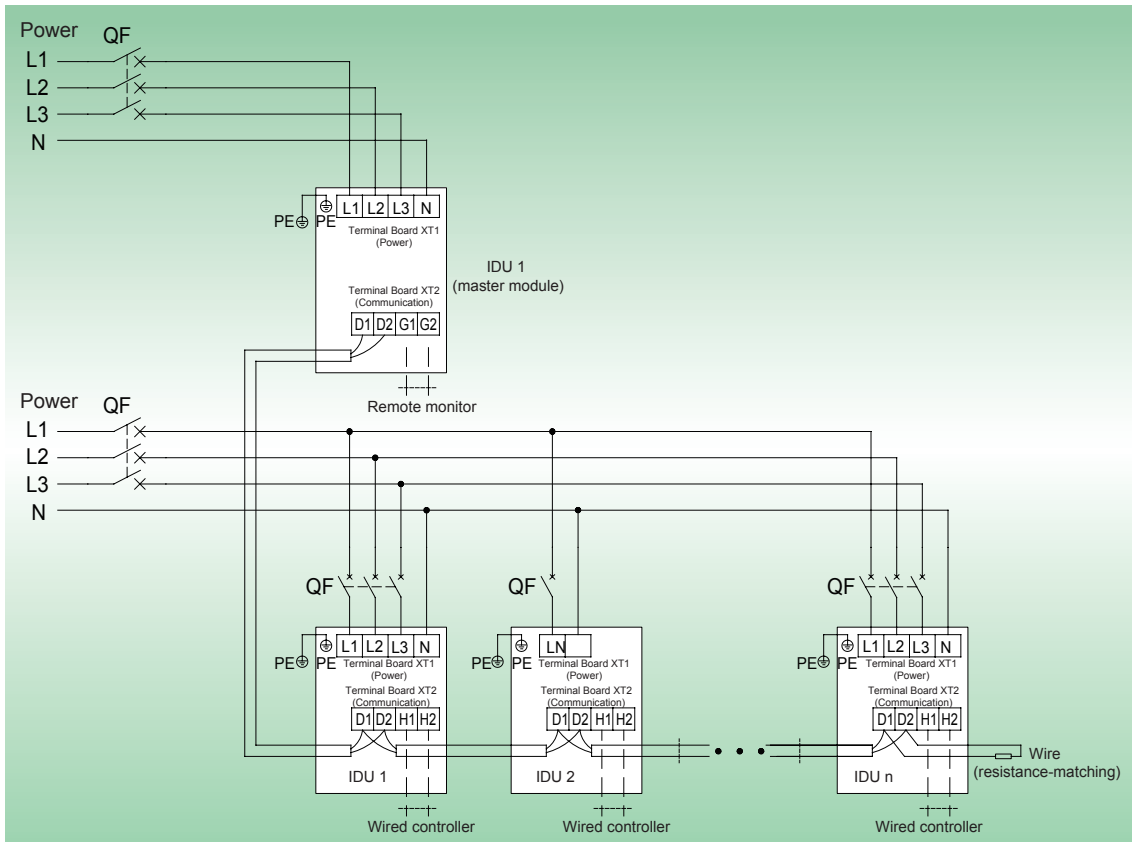
12.1 External Connection Interfaces

External connection interfaces	Power supply	Quantity	5
		Label	L1 L2 L3 N PE
	Indoor/outdoor unit communication	Quantity	2
		Label	D1 D2
	Centralized control	Quantity	2
		Label	G1 G2

12.2 External Connection

Every unit must be configured with a circuit breaker to implement short circuit and abnormal overload protection. Besides, the indoor unit and outdoor unit should be respectively configured with a general circuit breaker, which is used to uniformly connect to or cut off the general power supply for the indoor unit or outdoor unit.

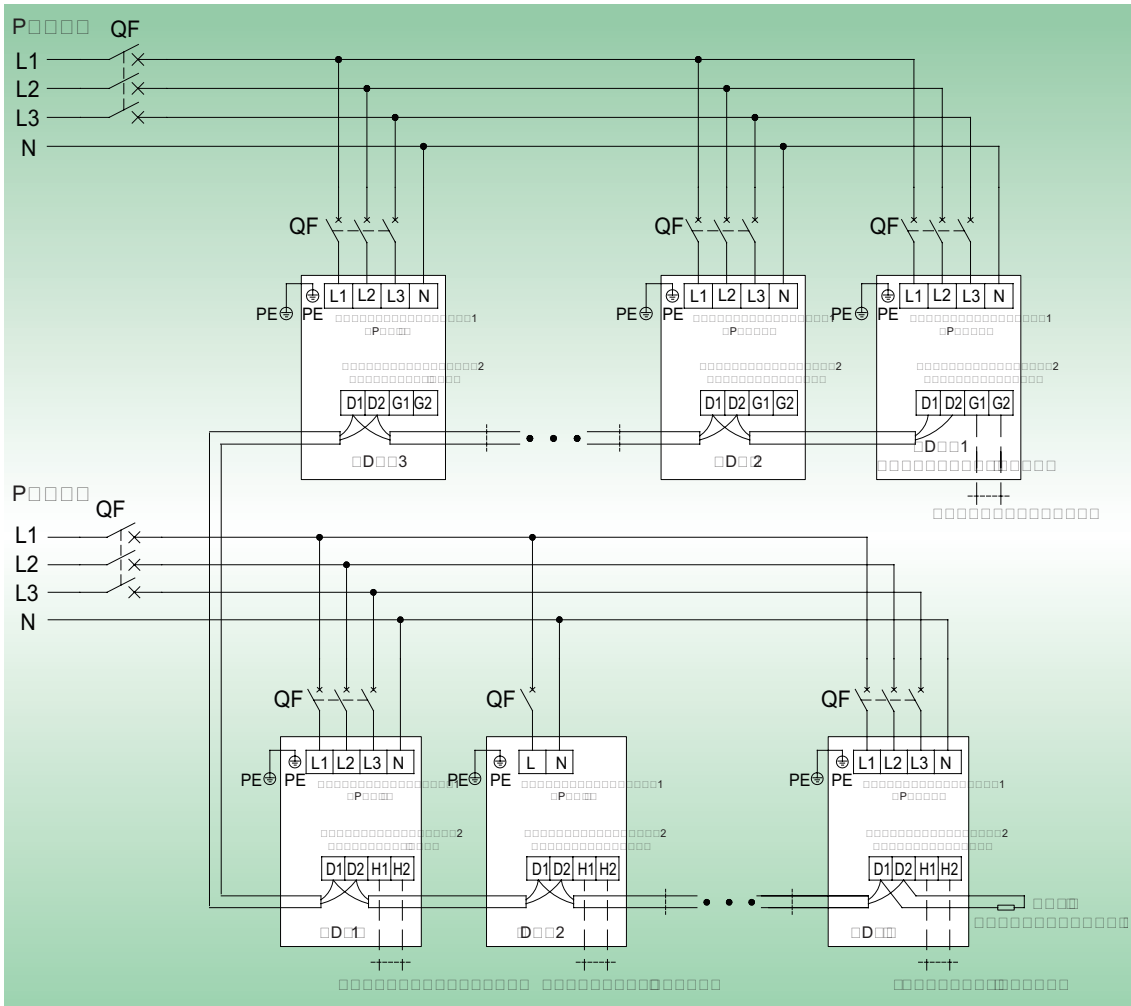
1) External connection diagram of a single unit



NOTES:

The maximum number n of connected indoor units depends on the outdoor unit capacity. For details, see the content of the introduction to unit combination.

2) External connection diagram of modular connection



NOTES:

- a. The maximum number N of connected outdoor units and the maximum number n of connected indoor units depend on the outdoor unit combination form.
- b. A copper conductor must be used as a power cable. It must comply with the relevant national lead standard and meet the current-carrying capacity requirement of the unit.

13 CALCULATION METHOD OF REFRIGERANT ADDED FOR ENGINEERING PIPING

Added refrigerant quantity R = Added refrigerant quantity A for piping + \sum Added refrigerant quantity B for each module

1) Added refrigerant quantity A for piping is calculated as follows:

Added refrigerant quantity A for piping

= \sum Liquid pipe length \times Added refrigerant quantity for each meter of liquid pipe

Liquid pipe diameter (mm)	Φ28.6	Φ25.4	Φ22.2	Φ19.05	Φ15.9	Φ12.7	Φ9.52	Φ6.35
kg/m	0.680	0.520	0.350	0.250	0.170	0.110	0.054	0.022

2) \sum Added refrigerant quantity B for each module is calculated as follows:

Added refrigerant quantity B for each module (2)		Module capacity (kW)							
Rated capacity configuration ratio C of outdoor/indoor unit (1)	Number of configured indoor units	22.4	28.0	33.5	40.0	45.0	50.4	56.0	61.5
50% ≤ C ≤ 70%	≤ 4 sets	0	0	0	0	0	0	0	0
	> 4 sets	0.5	0.5	0.5	0.5	0.5	0.5	1.0	1.5
70% < C ≤ 90%	≤ 4 sets	0.5	0.5	1	1.5	1.5	1.5	2.0	2
	> 4 sets	1	1	1.5	2	2	2.5	3.0	3.5
90% < C ≤ 105%	≤ 4 sets	1	1	1.5	2	2	2.5	3.0	3.5
	> 4 sets	2	2	3	3.5	3.5	4.0	4.5	5
105% < C ≤ 135%	≤ 4 sets	2	2	2.5	3	3	3.5	4	4
	> 4 sets	3.5	3.5	4	5	5	5.5	6	6

NOTES:

- a. Rated capacity configuration ratio C of outdoor/indoor unit = Rated refrigerating capacity sum of indoor units / Rated refrigerating capacity sum of outdoor units
- b. If all the indoor units are GMV-NX series fresh air indoor units, the added refrigerant quantity B for every module is 0 kg.

Examples:

Example 1:

The outdoor unit consists of the three modules :GMV-280WM/B-X, GMV-400WM/B-X and GMV-450WM/B-X The indoor units are made up of eight sets of GMV-ND140PL/A-T.

Then, Rated capacity configuration ratio C of outdoor/indoor unit = $140 \times 8 / (280 + 400 + 450) = 99\%$, and the number of indoor units is greater than 4. The following results can be obtained by referring to the above table:

Added refrigerant quantity B for GMV-280WM/B-X module is 2 kg.

Added refrigerant quantity B for GMV-400WM/B-X module is 3.5 kg.

Added refrigerant quantity B for GMV-450WM/B-X module is 3.5 kg.

Therefore:

\sum Added refrigerant quantity B for each module = $2 + 3.5 + 3.5 = 9$ kg

Suppose: Added refrigerant quantity A for piping

= \sum Liquid pipe length \times Added refrigerant quantity for each meter of liquid pipe = 25kg.

Total added refrigerant quantity R for this system = $25 + 9 = 34$ kg.

Example 2:

The outdoor unit consists of one GMV-450WM/B-X module, and the indoor unit is one GMV-NX450P/A (X4.0) fresh air indoor unit. Then, the added refrigerant quantity B for this module is 0 kg.

Therefore:

Σ Added refrigerant quantity B for each module = 0 kg.

Suppose: Added refrigerant quantity A for piping

= Σ Liquid pipe length \times Added refrigerant quantity for each meter of liquid pipe = 5 kg.

Total added refrigerant quantity R for this system = 5 + 0 = 5 kg.

14 OPTIONAL COMPONENTS

The GMV5 series VRF units provide the following options:

		Model	Remarks
Manifold	Outdoor unit	ML01/A	For the model selection method, see the part of pipeline selection.
	Indoor unit	FQ01A/A, FQ01B/A, FQ02/A, FQ03/A, FQ04/A	
Remote receiving LED panel		JS03	Applicable to the air duct-type indoor unit
Remote controller for debugging		YV1L1	With the debugging function, used to set functions of the indoor unit
Classic wired controller		Wired controller XK46	Applicable to the air Cassette, Floor Ceiling, Wall-Mounted indoor unit (duct-type indoor unit Standard)
Wired controller for hotel		Wired controller XK49	With the access control function
Ultrathin wired controller		Wired controller XK62	
Colour screen wired controller		Wired controller XK55	
Smart zone controller		CE53-24/F(C)	
Debugging software		DE40-33/A(C)	Applicable to the unit of CAN bus communication technology
Remote monitoring system	Software	FC31-00/AD(BM)	Applicable to the unit of CAN bus communication technology
	Optoelectronic isolated converter	GD02	
	MODbus gateway	ME30-24/E4(M)	
	BACnet gateway	MG30-24/D2(B)	

Note: If you need the above optional components, please consult your local sales company.

15 UNIT OPERATING RANGE

Cooling	-5°C~52°C
Heating	-20°C~24°C

When the indoor units are all VRF fresh air processor, the unit operating range is as follows:

Cooling	16°C~45°C
Heating	-7°C~16°C

If the temperature is beyond the range, the safety protection measure of the unit may take effect, and the air conditioning unit will stop.

Gree Electric Appliances, Inc. of Zhuhai, founded in 1991, is the world's largest air conditioner enterprise integrating R&D, manufacturing, marketing and services. Technology Innovation and quality are always our priority. With efforts of thousands of Gree's engineers, we own more than 3500 patents for our products. Nowadays, we have 7 production bases in Zhuhai, Chongqing, Hefei and Zhengzhou(China), as well as Brazil, Pakistan and Vietnam, with annual production capacity of 30 million sets of residential air conditioners and 4 million sets of commercial air conditioners.

With the installation of Gree commercial air conditioners in important projects at home and abroad like Media Village for 2008 Beijing Olympic Games, Stadiums for 2010 World Cup in South Africa, as well as India Telecom base station, Gree commercial air conditioners are ready to develop steadily to every corner in the world, to present a more comfortable and harmonious working environment and family atmosphere.



GREE MAKING BETTER AIR CONDITIONERS GREE MAKING BETTER AIR CONDITIONERS GREE MAKING BETTER AIR CONDITIONER GREE



Add: West Jinji Rd, Qianshan Zhuhai, Guangdong, China 519070

Tel: (+86-756)8614883 Fax: (+86-756)8614998

Http://www.gree.com Email: gree@gree.com.cn

For continuous improvement in the products, Gree reserves the right to modify the product specification and appearance in this manual without notice and without incurring and obligations.

■ SJ00444669